

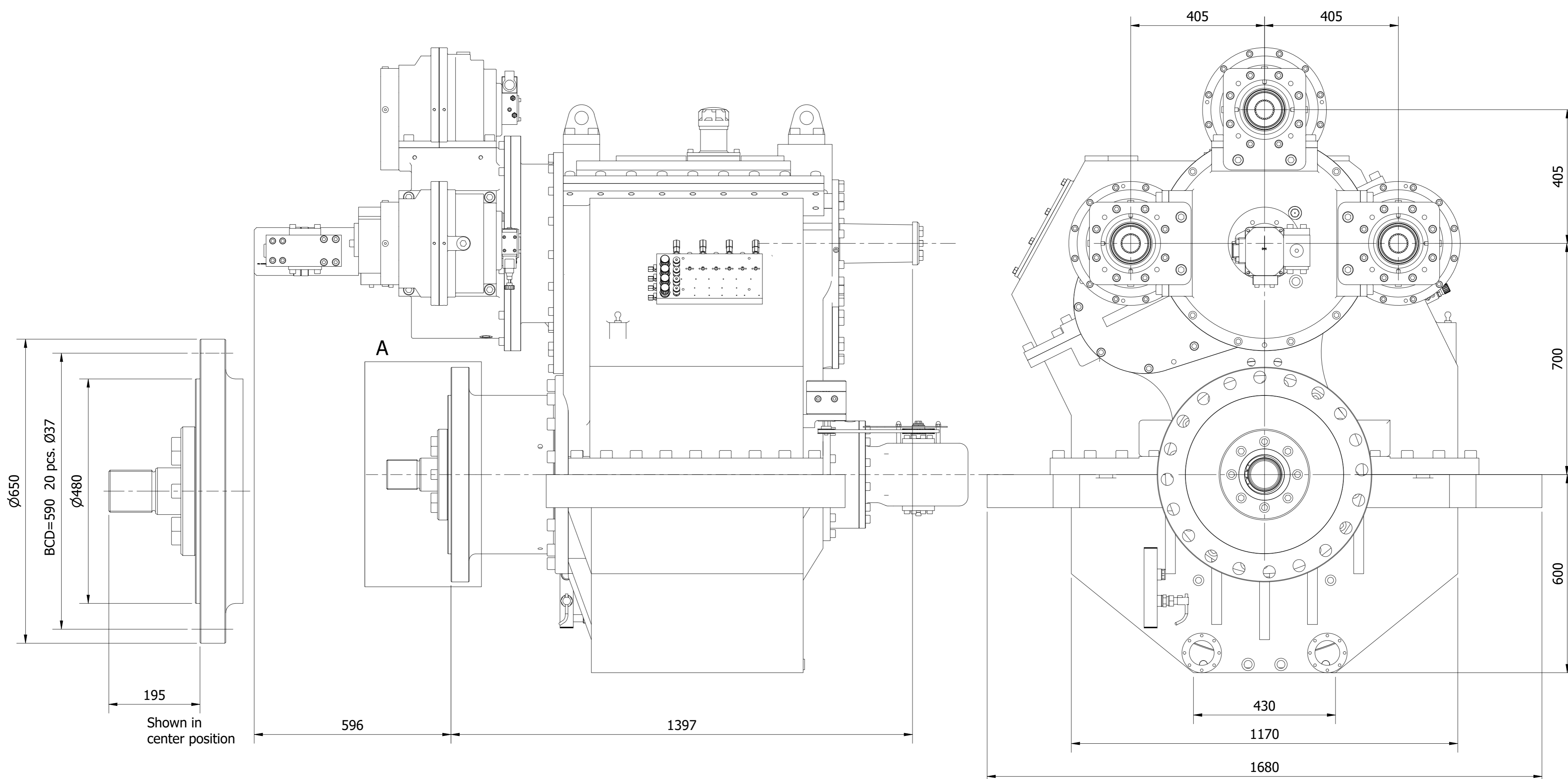
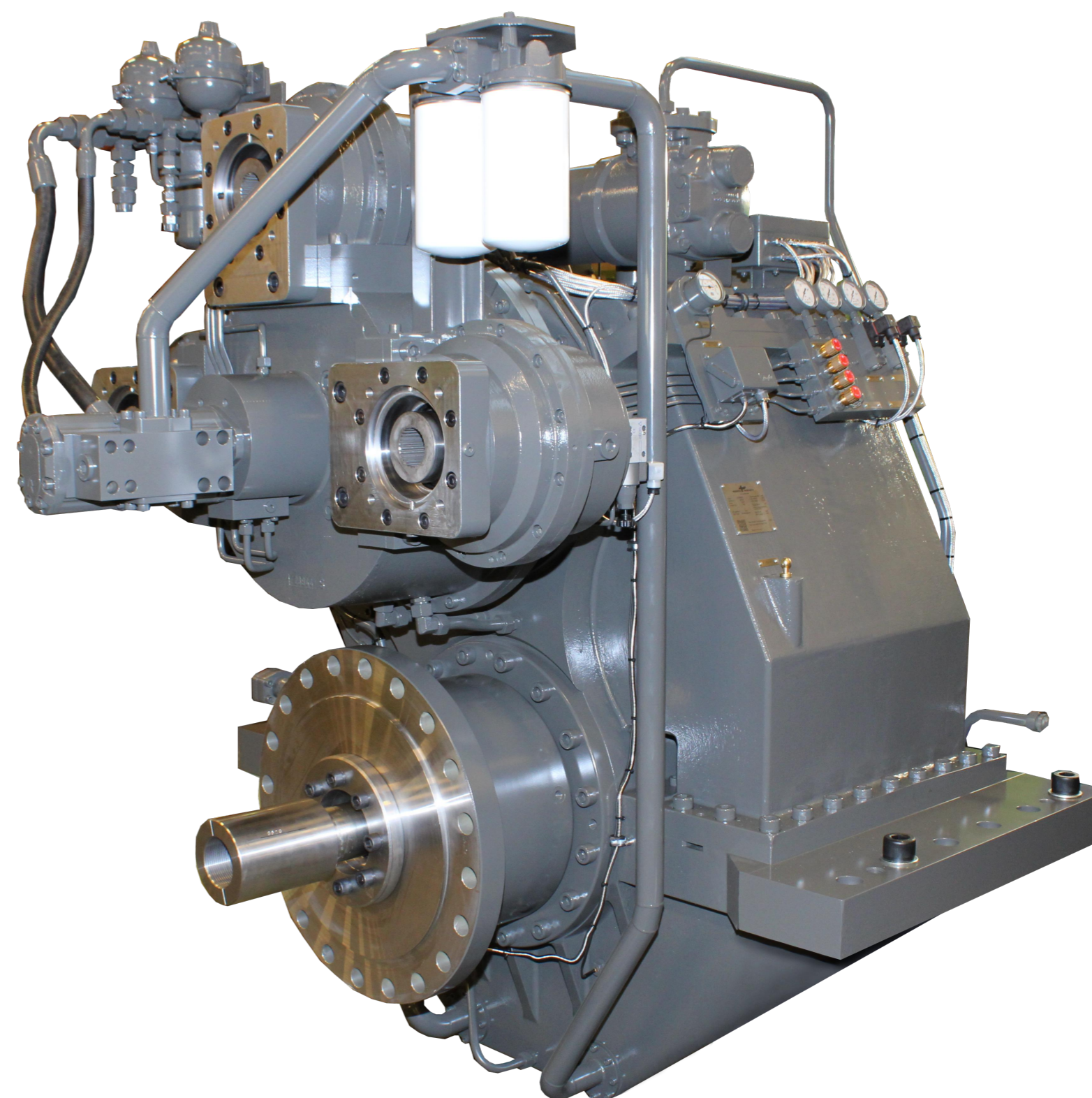
DATA SHEET

MARINEGEAR CPGD420

With safety according to class

Gear ratios	Torque [Nm]	J-Factor [kW/rpm]	J-Factor [HP/rpm]
6,05 : 1	27520	2,882	3,915
6,65 : 1	26580	2,783	3,781
7,30 : 1	22800	2,387	3,244
8,91 : 1	19800	2,073	2,817
9,39 : 1	17460	1,828	2,484
10,45 : 1	16890	1,769	2,403
11,06 : 1	13380	1,401	1,904
11,71 : 1	12350	1,293	1,757

OTHER RATIOS AVAILABLE ON REQUEST



Servo for propeller:

- Max. force: 65t
- Max. stroke 200mm
- Suitable for feathering propeller

Options:

- Semi flexible foundation
- Semi flexible output coupling

PTO specifications:

- Max. 3 PTO's - each with hydraulic clutch or as live PTO.
 - Max. torque f. 1 PTO: 4000Nm
 - Max. total torque: 9000Nm
 - Rpm speed-up ratio: 1,95:1
 - SAE-D / SAE-E flange
- other flanges available on request

Weight (Approx.):

- Weight without PTO: 7100kg
- Weight with 3 PTO's: 7250kg

Direction of rotation:

- Double step gearbox
- Standard left in / left out



1-048-033922-0

HUNDESTED PROPPELLER A/s

E-mail: sales@hundested.com