

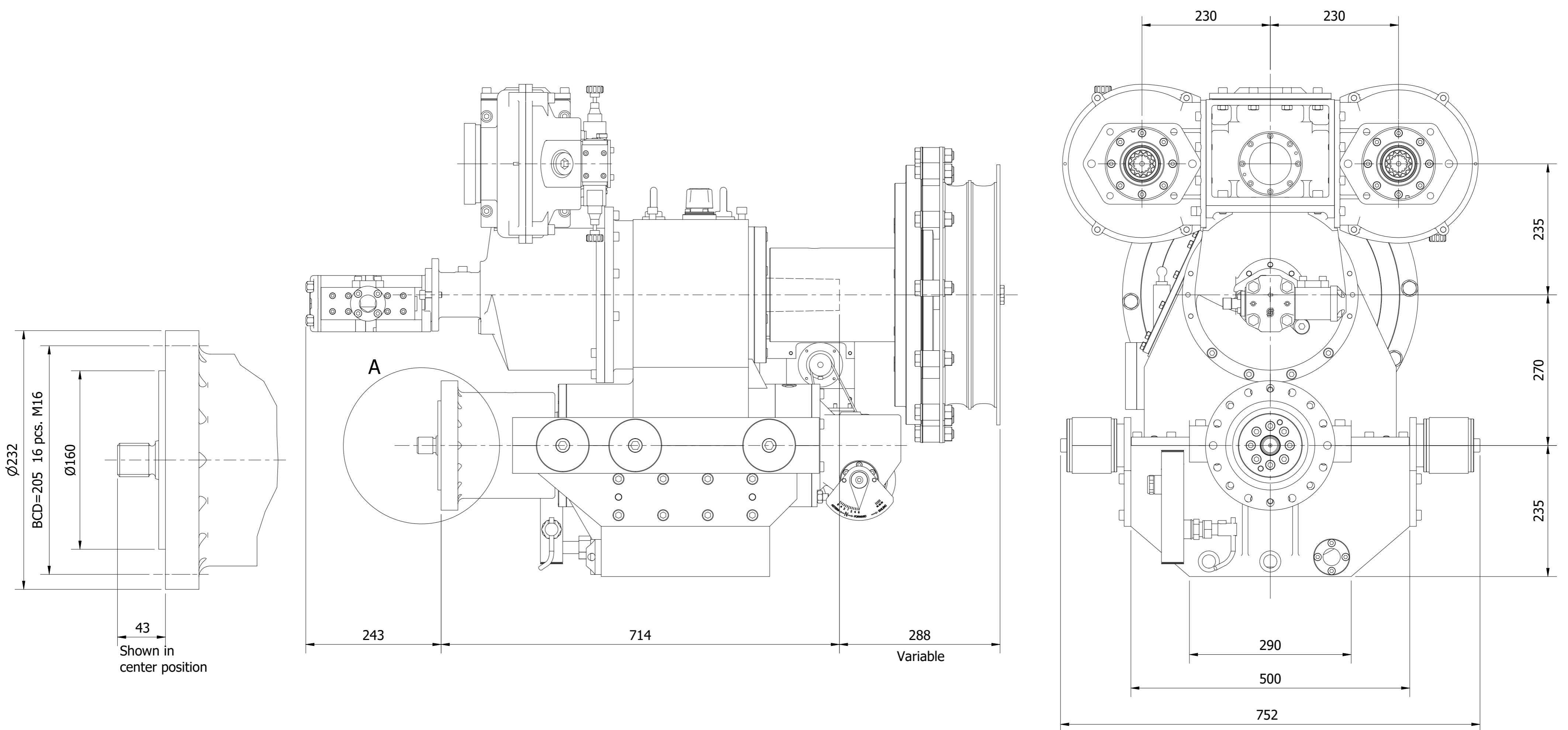
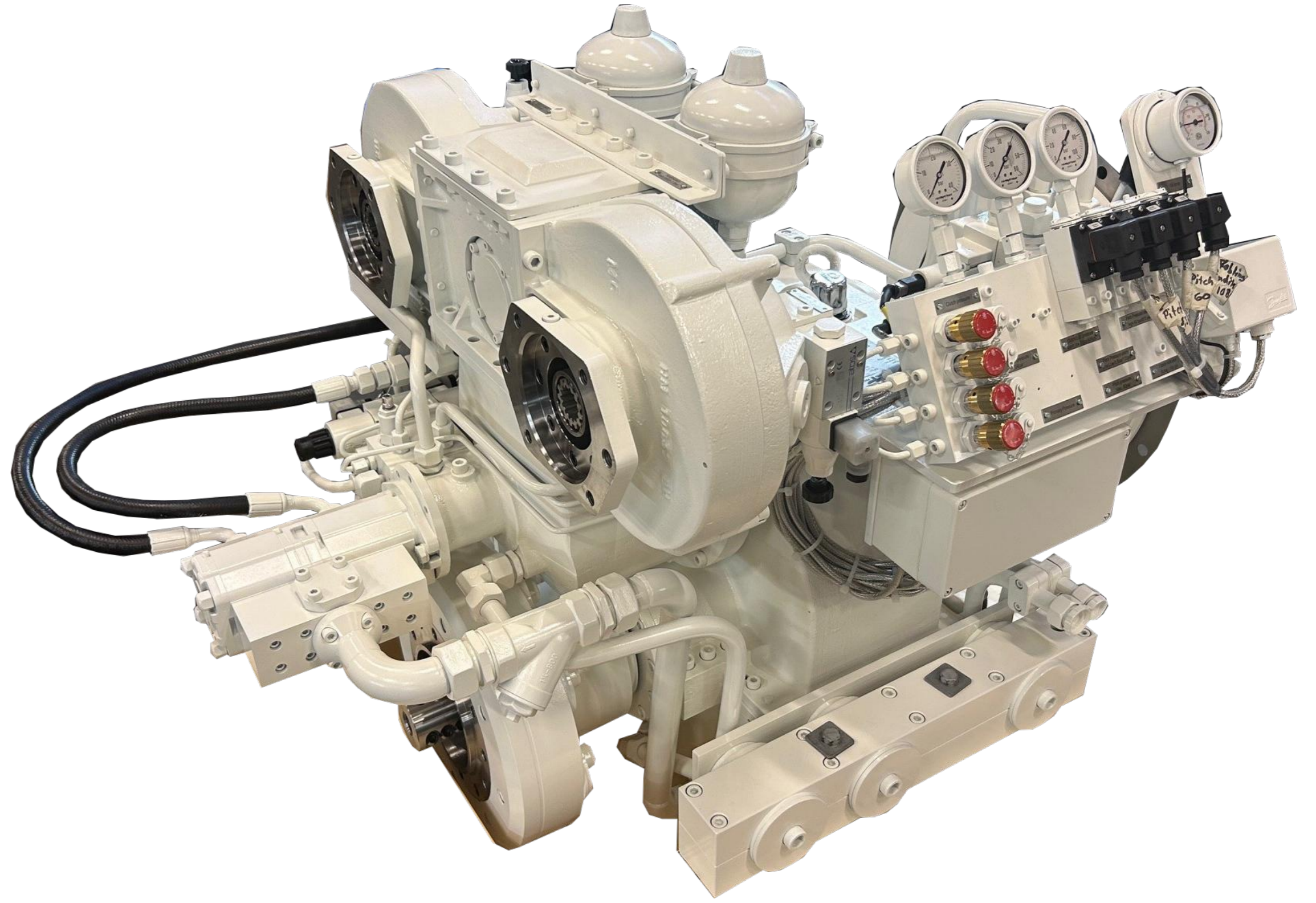
DATA SHEET

MARINEGEAR CPG27

With safety according to class

| Gear ratios | Torque [Nm] | J-Factor [kW/rpm] | J-Factor [HP/rpm] |
|-------------|-------------|-------------------|-------------------|
| 2,17 : 1 | 2700 | 0,283 | 0,384 |
| 2,51 : 1 | 2700 | 0,283 | 0,384 |
| 3,12 : 1 | 2700 | 0,283 | 0,384 |
| 3,48 : 1 | 2700 | 0,283 | 0,384 |
| 4,08 : 1 | 2700 | 0,283 | 0,384 |

OTHER RATIOS AVAILABLE ON REQUEST



Servo for propeller:

- Max. force: 10t
- Max. stroke 100mm
- Suitable for feathering propeller

Options:

- Semi flexible foundation
- Semi flexible output coupling

PTO specifications:

- Max. 3 PTO's - each with hydraulic clutch or as live PTO.
- Max. torque f. 1 PTO: 1300Nm
- Max. total torque: 1300Nm
- Rpm speed-up ratio: 1,04:1
- SAE-C / SAE-D flange
- other flanges available on request

Weight (Approx.):

- Weight without PTO: 700kg
- Weight with 2 PTO's: 770kg

Direction of rotation:

- Single step gear box
- Standard left in / right out



HUNDESTED PROPPELLER A/s

E-mail: sales@hundested.com

1-048-033885-0