

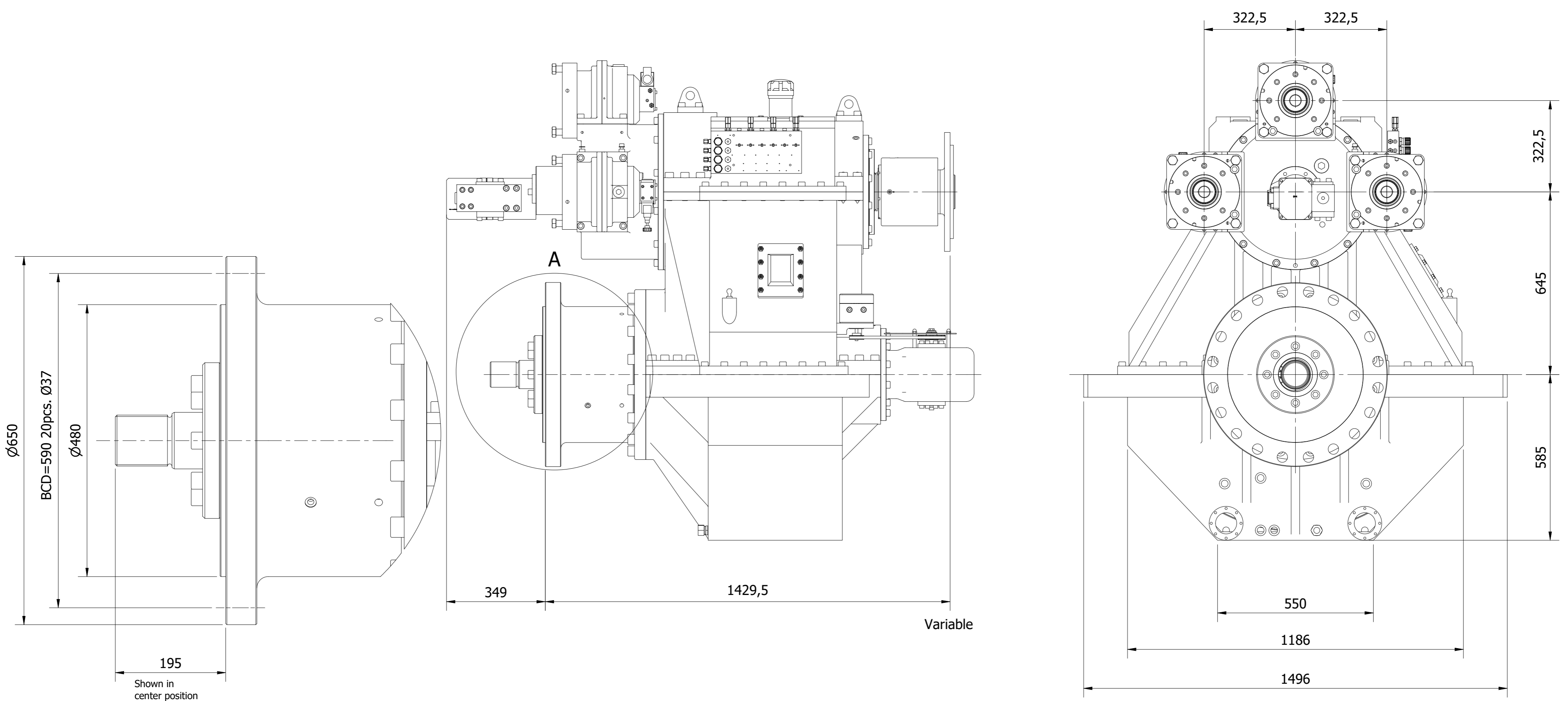
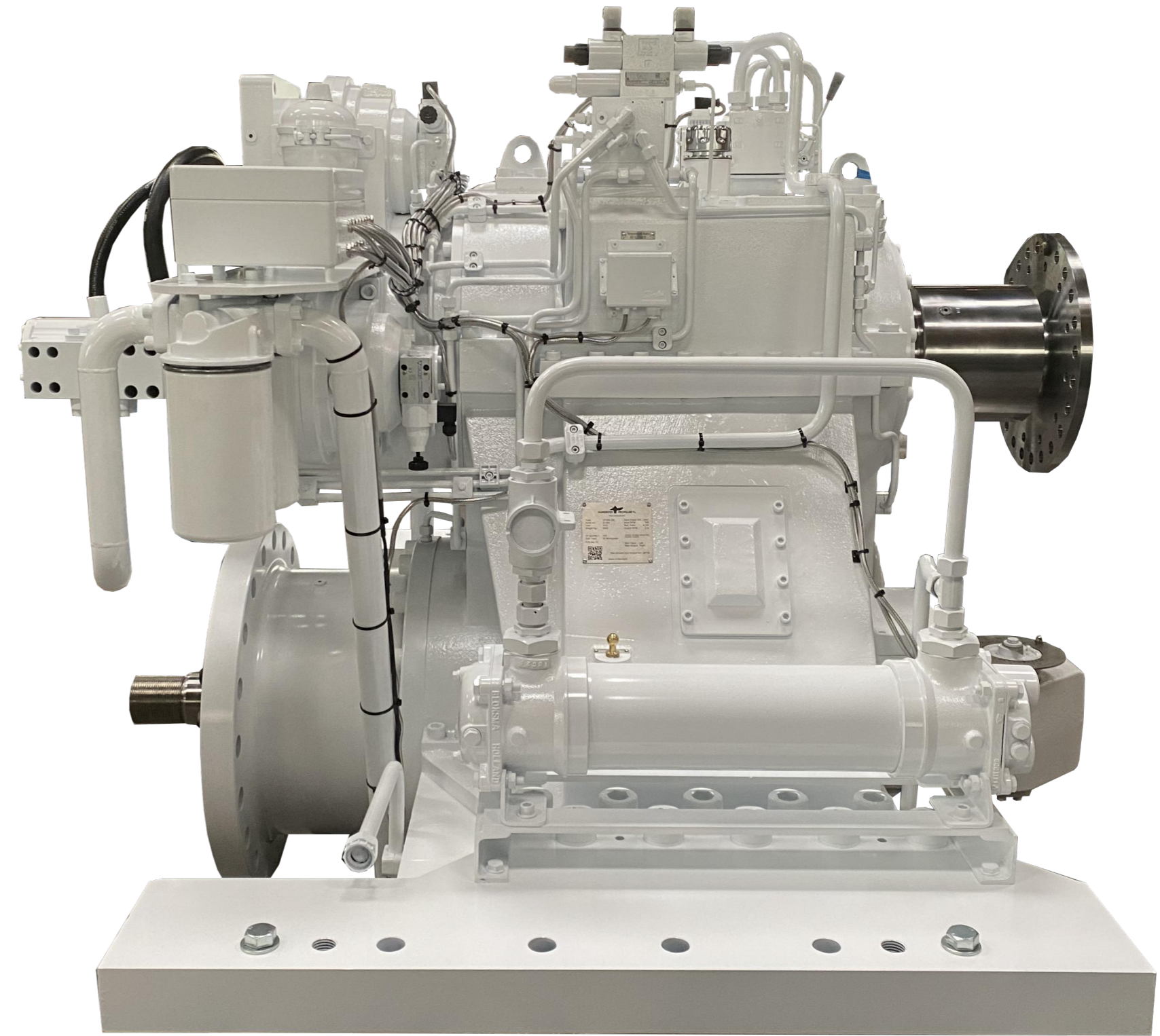
DATA SHEET

MARINEGEAR CPGSL350

With safety according to class

Gear ratios	Torque [Nm]	J-Factor [kW/rpm]	J-Factor [HP/rpm]
3,31 : 1	28500	2,98	4,05
4,208 : 1	28500	2,98	4,05
5,3 : 1	23000	2,4	3,26

OTHER RATIOS AVAILABLE ON REQUEST



Servo for propeller:

- Max. force: 103t
- Max. stroke 200mm
- Suitable for feathering propeller

Options:

- Semi flexible foundation
- Semi flexible output coupling

PTO specifications:

- Max. 3 PTO's - each with hydraulic clutch or as live PTO.
- Max. torque f. 1 PTO: 2000Nm
- Max. total torque: 6000Nm
- Rpm speed-up ratio: 1,04:1
- SAE-D / SAE-E flange
- other flanges available on request

Weight (Approx.):

- Weight without PTO: 5900kg
- Weight with 3 PTO's: 6100kg



HUNDESTED PROPPELLER A/s

E-mail: sales@hundested.com

1-048-033344-0