

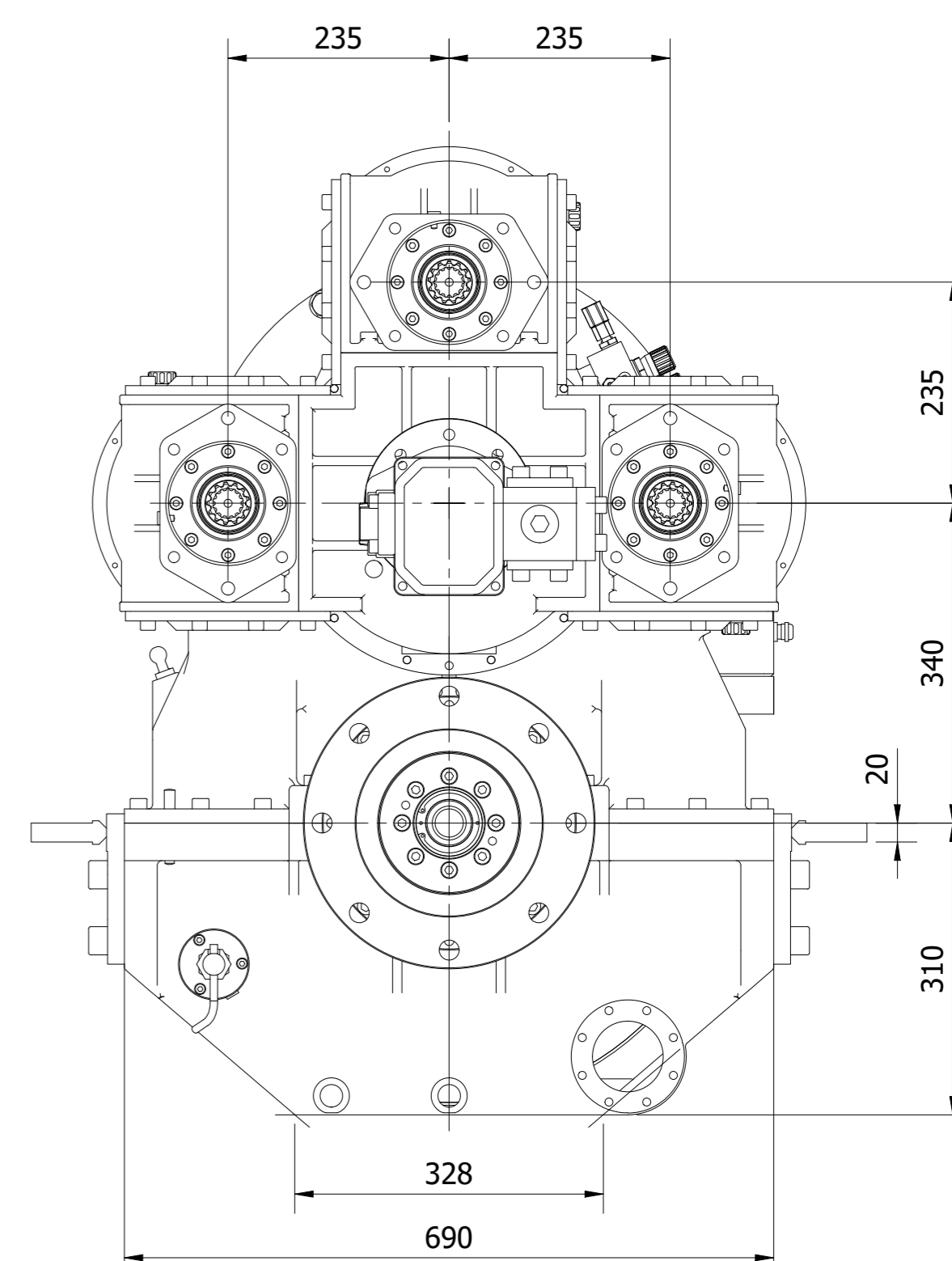
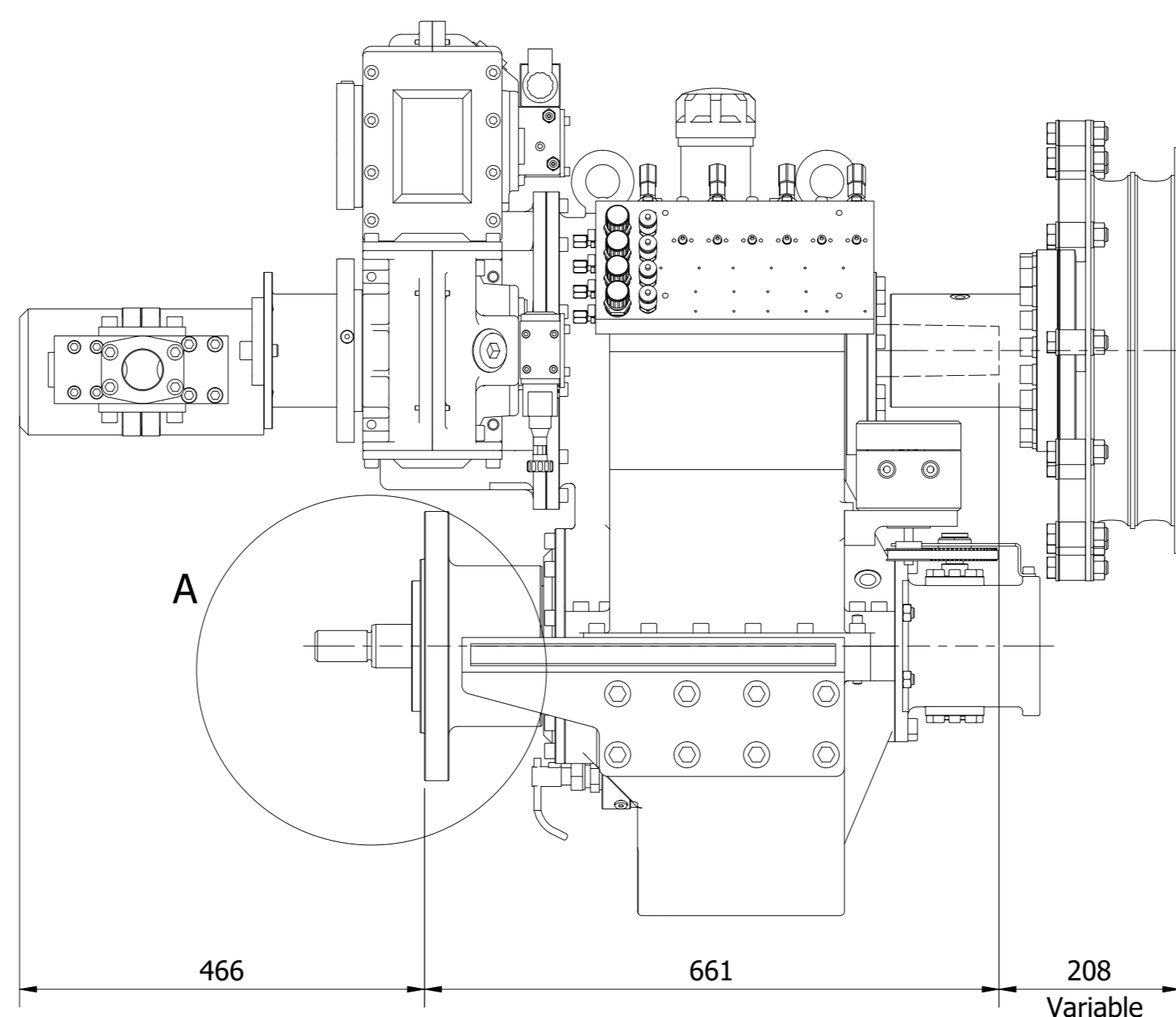
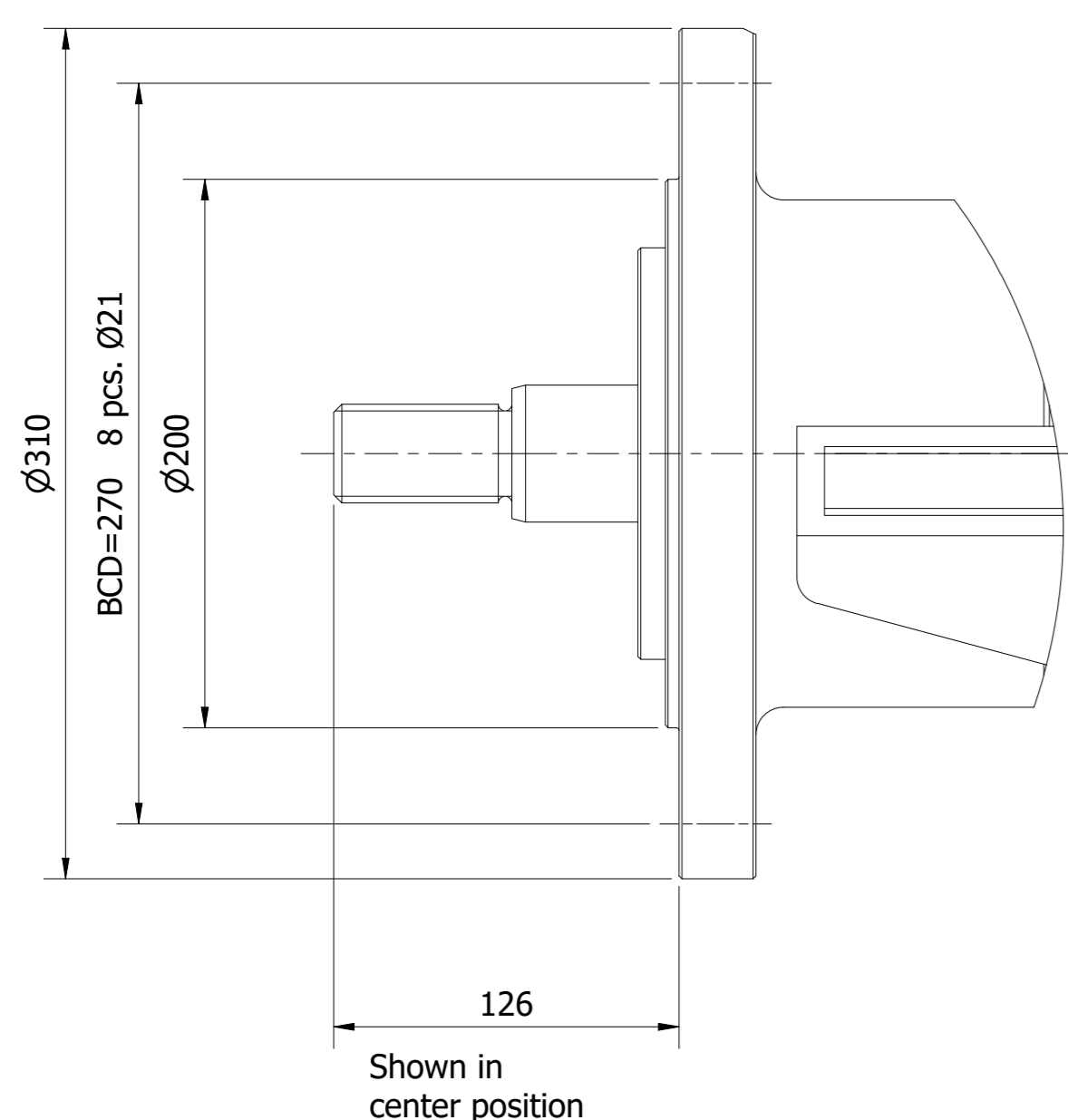
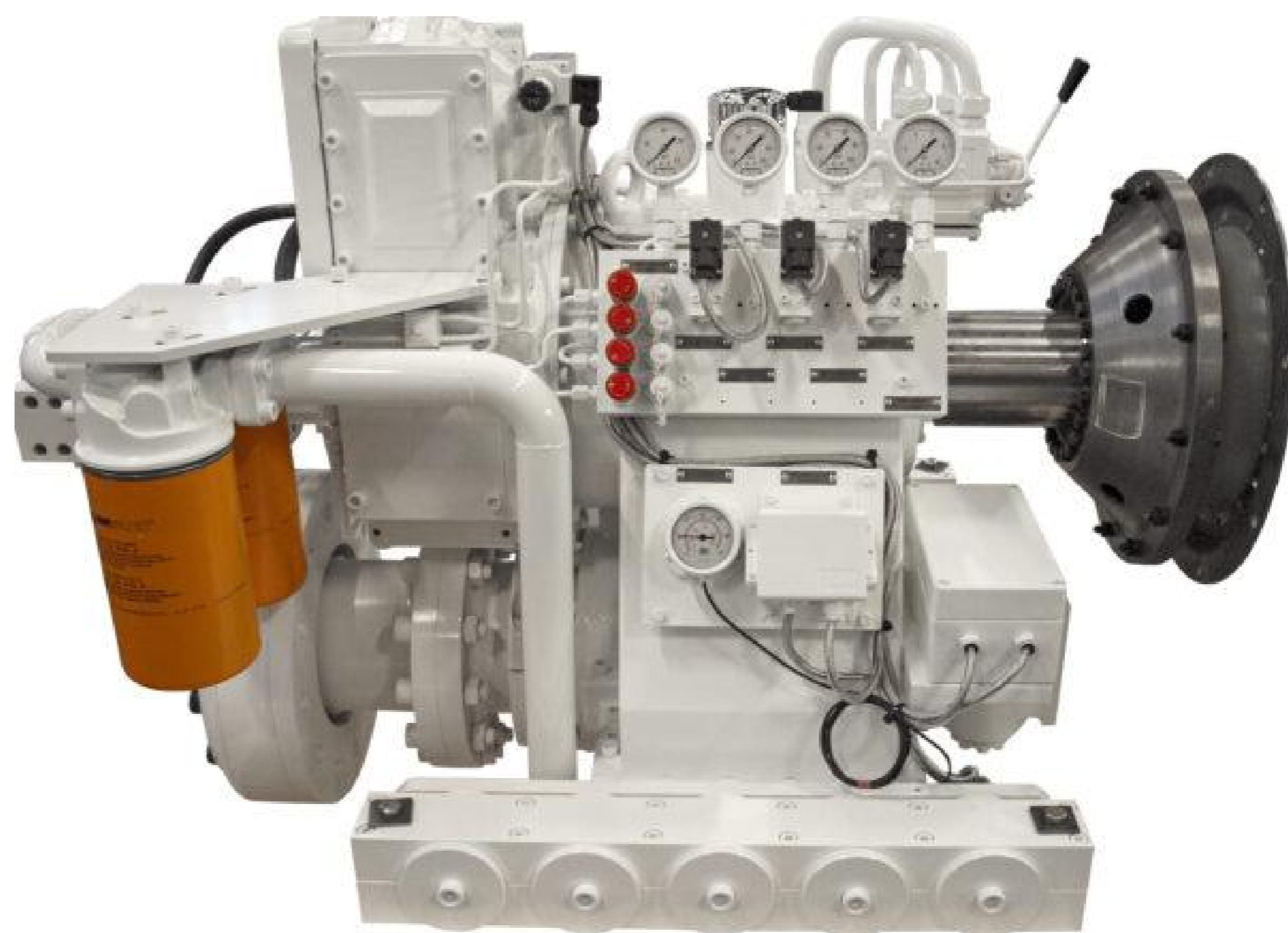
# DATA SHEET

## MARINEGEAR CPG38

With safety according to class

Gear ratios	Torque [Nm]	J-Factor [kW/rpm]	J-Factor [HP/rpm]
3,07 : 1	3870	0,41	0,55
3,44 : 1	3870	0,41	0,55
3,95 : 1	3870	0,41	0,55
4,45 : 1	3660	0,38	0,52
5,11 : 1	2910	0,30	0,41
5,53 : 1	2570	0,27	0,37
5,94 : 1	2170	0,23	0,31
6,44 : 1	1850	0,19	0,26

OTHER RATIOS AVAILABLE ON REQUEST



- Servo for propeller:
- Max. force: 19,8t
  - Max. stroke 100mm
  - Suitable for feathering propeller

- Options:
- Semi flexible foundation
  - Semi flexible output coupling

- PTO specifications:
- Max. 3 PTO's - each with hydraulic clutch or as live PTO.
  - Max. torque f. 1 PTO: 1300Nm
  - Max. total torque: 2600Nm
  - Rpm speed-up ratio: 1,04:1
  - SAE-C / SAE-D flange
  - other flanges available on request

- Weight (Approx.):
- Weight without PTO: 820kg
  - Weight with 3 PTO's: 900kg

- Direction of rotation:
- Single step gearbox
  - Standard left in / right out



1-048-032157-1

**HUNDESTED** **PROPELLER A/s**

E-mail: sales@hundested.com