

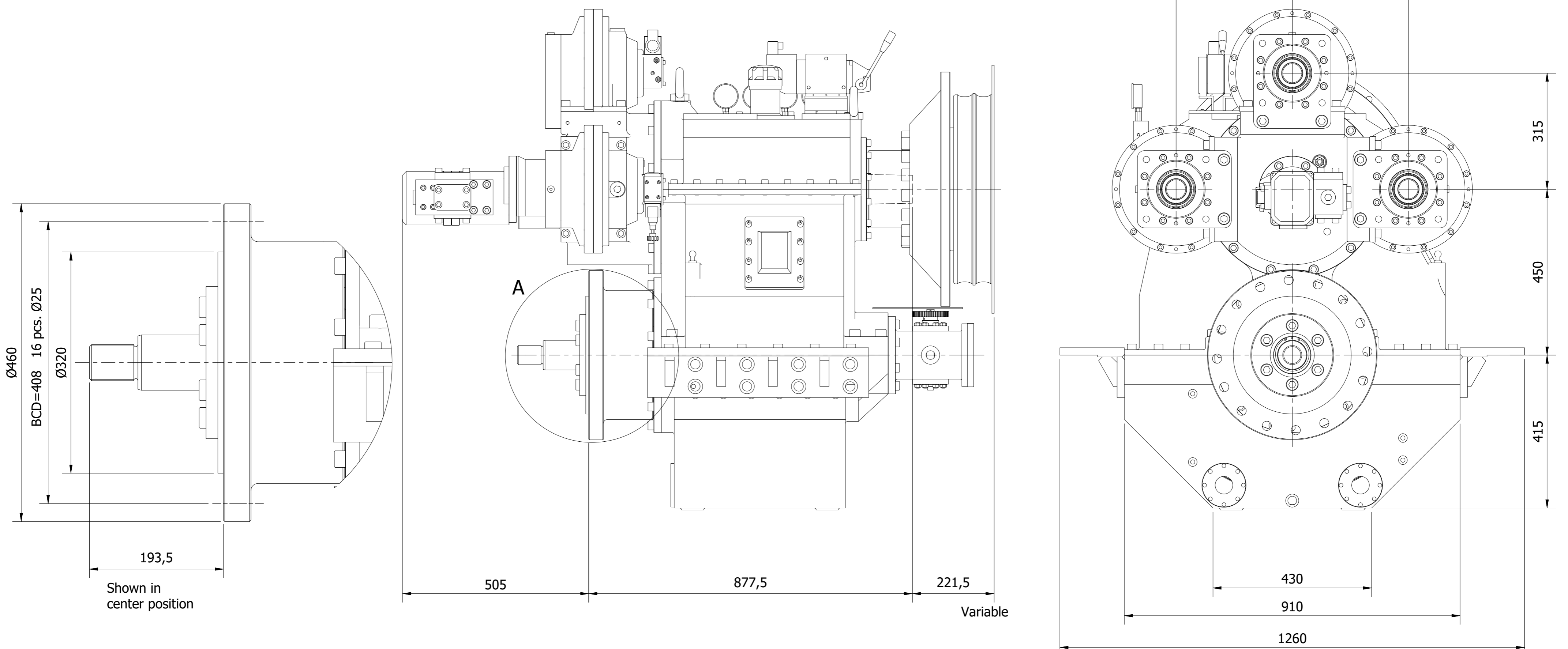
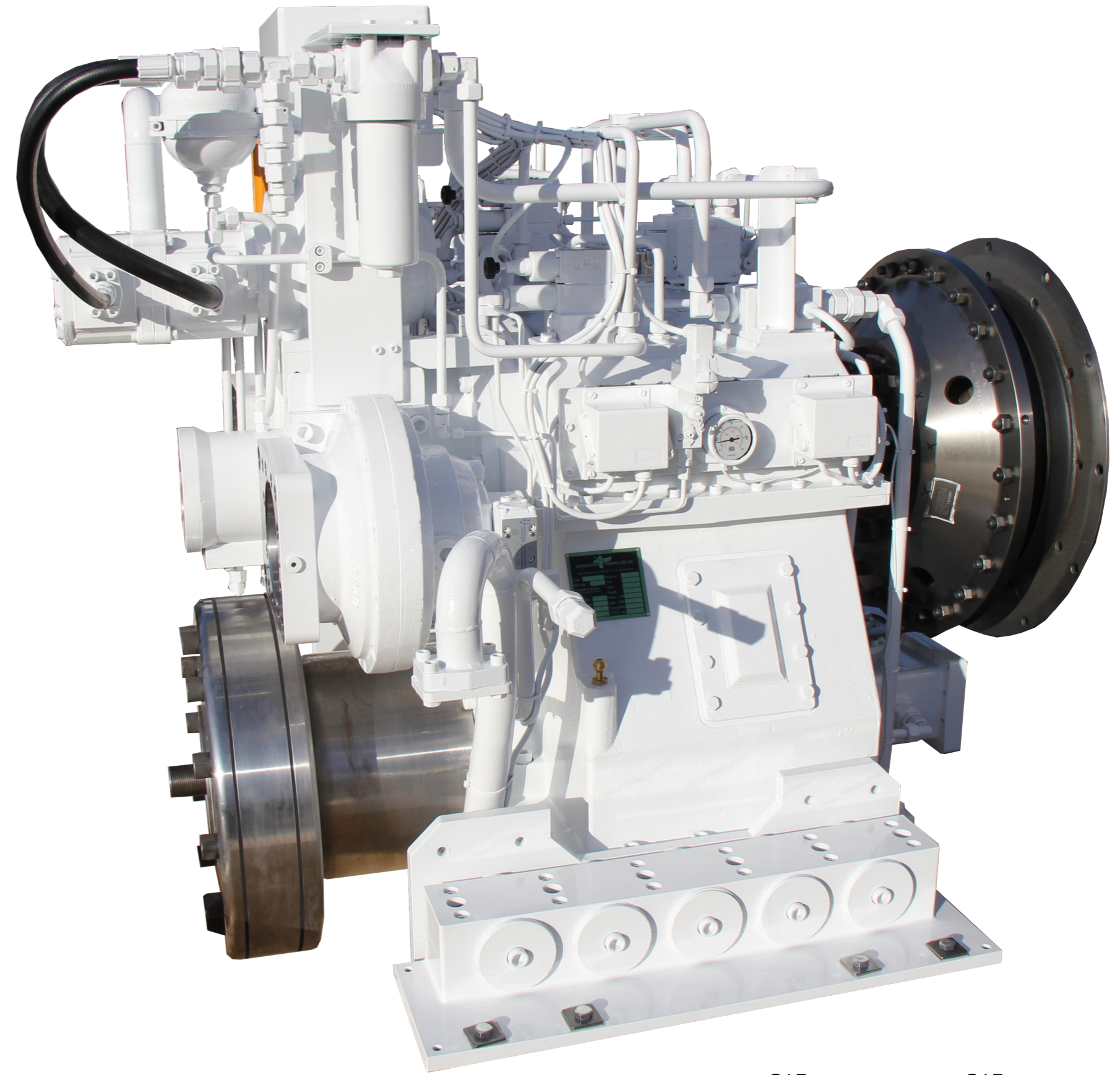
DATA SHEET

MARINEGEAR CPGS80

With safety according to class

Gear ratios	Torque [Nm]	J-Factor [kW/rpm]	J-Factor [HP/rpm]
3,04 : 1	8060	0,84	1,15
3,54 : 1	8060	0,84	1,15
3,95 : 1	8060	0,84	1,15
4,45 : 1	8060	0,84	1,15
5,06 : 1	7910	0,83	1,13
5,47 : 1	5240	0,55	0,75
5,94 : 1	5240	0,55	0,75
6,35 : 1	4120	0,43	0,59

OTHER RATIOS AVAILABLE ON REQUEST



Servo for propeller:

- Max. force: 45,6t
- Max. stroke 145mm
- Suitable for feathering propeller

Options:

- Semi flexible foundation
- Semi flexible output coupling

PTO specifications:

- Max. 3 PTO's - each with hydraulic clutch or as live PTO.
- Max. torque f. 1 PTO: 1300Nm
- Max. total torque: 4000Nm
- Rpm speed-up ratio: 1,22:1
- SAE-C / SAE-D / SAE-E flange
other flanges available on request

Weight (Approx.):

- Weight without PTO: 1870kg
- Weight with 3 PTO's: 1950kg

Direction of rotation:

- Single step gear box
- Standard left in / right out



HUNDESTED PROPPELLER A/s

E-mail: sales@hundested.com

1-048-032735-0