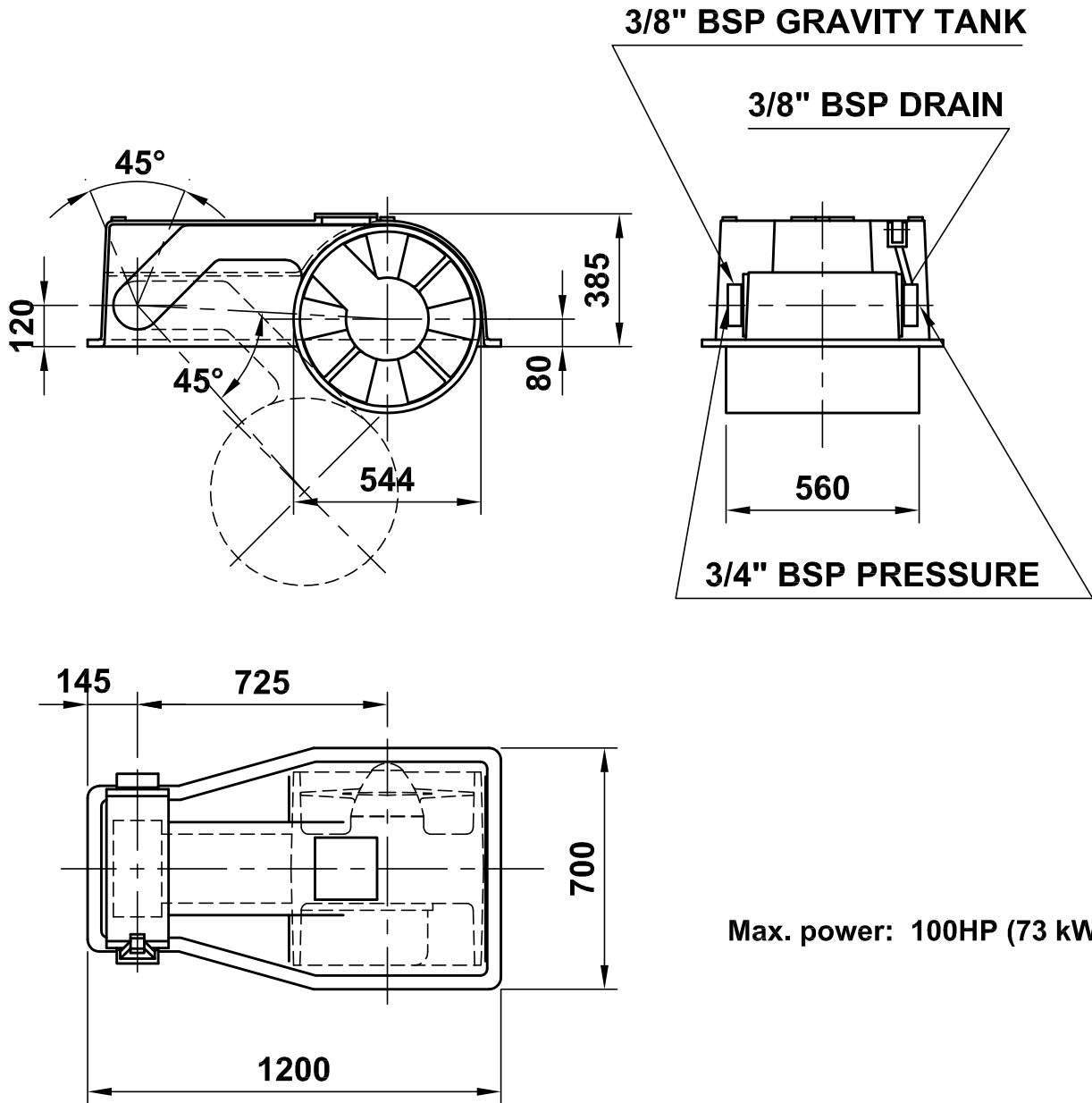


# FT3R BOW THRUSTER



Max. power: 100HP (73 kW)

# **STANDARD SPEC. RETRACTABLE THRUSTERS**

## **TYPE FT-R**

**Tunnel and housing in aluminum; AlMg5Si**

**Fixed 3 or 4-bladed propeller in aluminum; AlMg5Si**

**Down angle 45-55 degrees**

**Built-in hydraulic motor**

**Electric or hydraulic actuator for UP/DOWN function**

**Gravity tank**