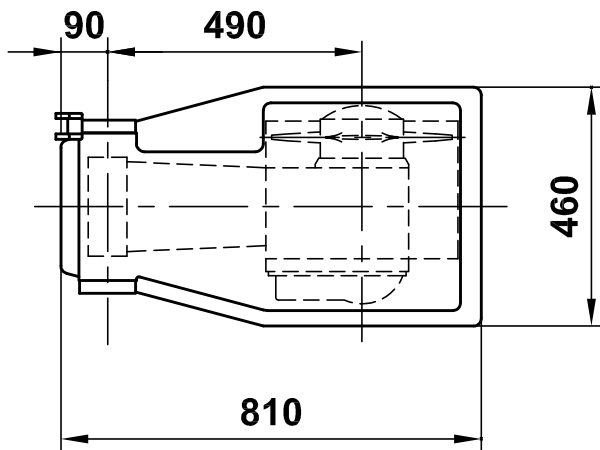
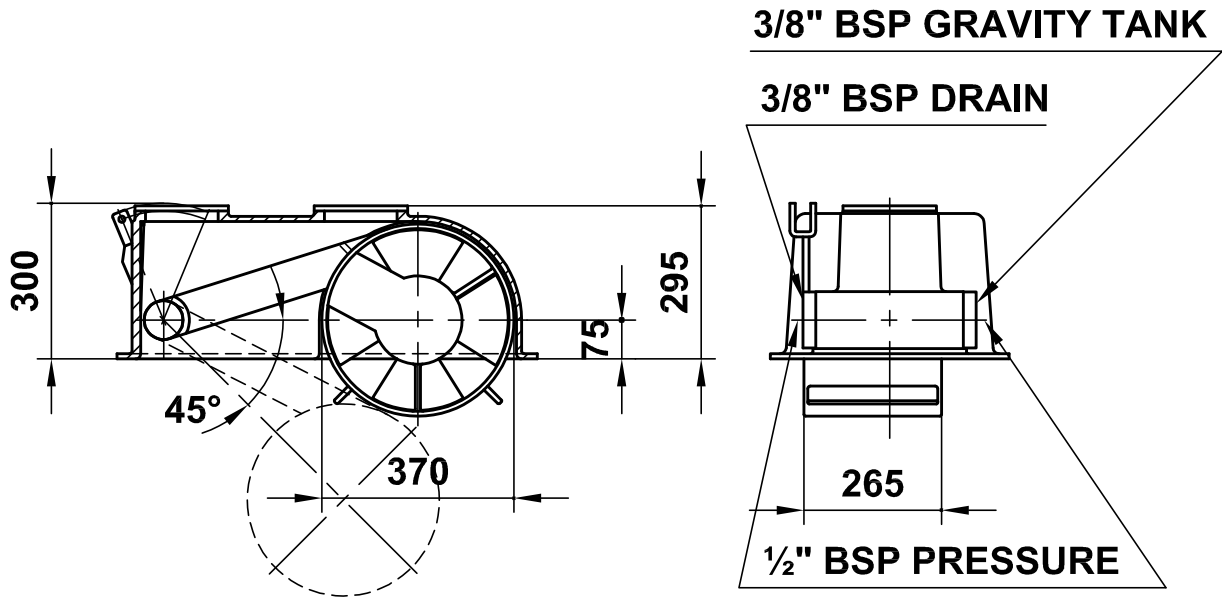


# FT2R BOW THRUSTER



Max. power: 50HP (37 kW)  
Max. RPM: 1314 RPM  
Hydraulic flow: 108 l/min  
Max. pressure: 240 bar  
Max. thrust: 4,2 kN

Valid for 78 cm<sup>3</sup> motor  
Option for 62,4 cm<sup>3</sup> motor

4-048-14585-00