

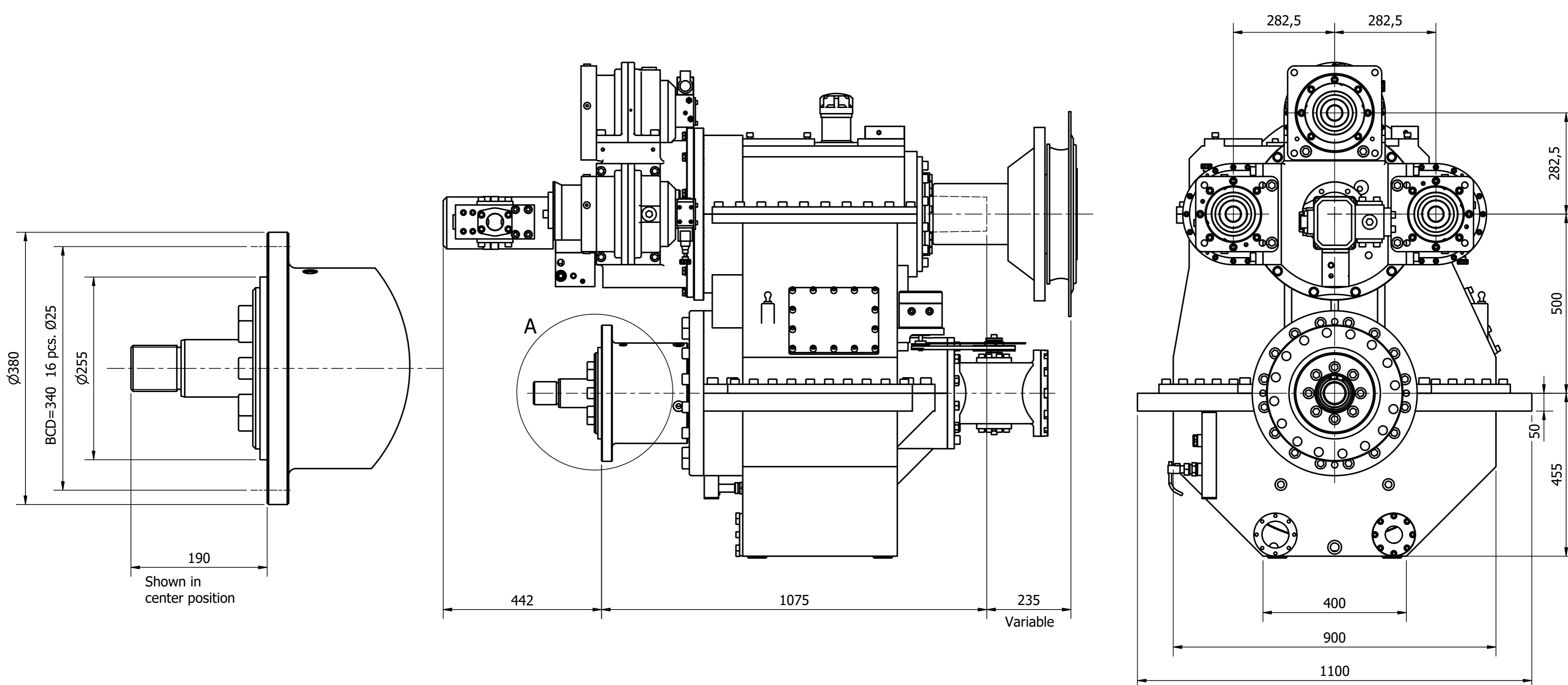
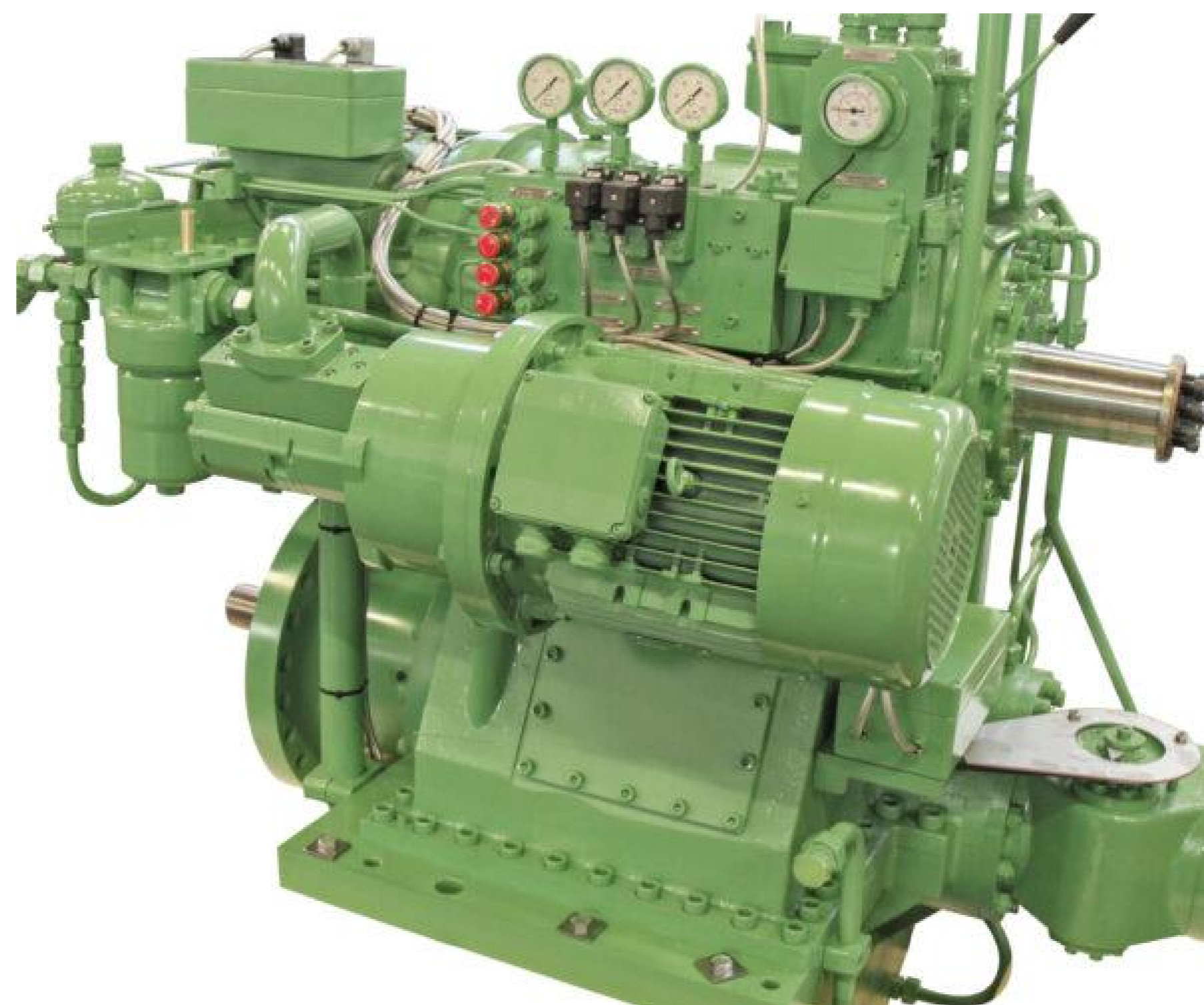
DATA SHEET

MARINEGEAR CPG120

With safety according to class

Gear ratios	Torque [Nm]	J-Factor [kW/rpm]	J-Factor [HP/rpm]
3,088 : 1	13400	1,40	1,91
3,484 : 1	13400	1,40	1,91
4,111 : 1	11990	1,26	1,71
4,520 : 1	11200	1,17	1,59
5,043 : 1	10160	1,06	1,45
5,571 : 1	5300	0,55	0,75
5,950 : 1	5300	0,55	0,75
6,316 : 1	5300	0,55	0,75

OTHER RATIOS AVAILABLE ON REQUEST



Servo for propeller:

- Max. force: 45,6t
- Max. stroke 160mm
- Suitable for feathering propeller

Options:

- Semi flexible foundation
- Semi flexible output coupling

PTO standard specifications:

- Max. 3 PTO's - each with hydraulic clutch or as live PTO.
- Max. torque f. 1 PTO: 2000Nm
- Max. total torque: 4000Nm
- Rpm speed-up ratio: 1,69:1
- SAE-C / SAE-D / SAE-E flange
- other PTO & flanges available on request

Weight (Approx.):

- Weight without PTO: 2400kg
- Weight with 3 PTO's: 2600kg

Direction of rotation:

- Single step gearbox
- Standard left in / right out



1-048-032183-0

HUNDESTED PROPPELLER A/s

E-mail: sales@hundested.com