

DATA SHEET

MARINEGEAR CPG50

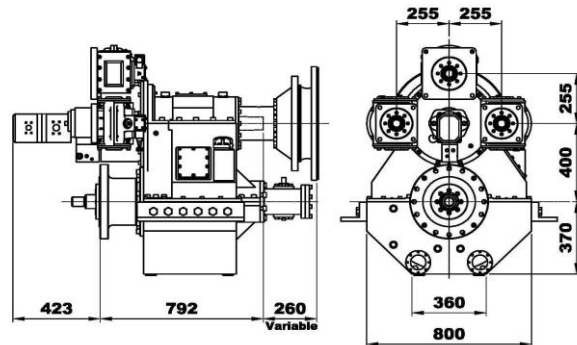
With safety according to HP/LRS:

Reduction Ratios:	Power kw/rpm	Factor HP/rpm	Torque Nm
2,909	0,59	0,80	5600
3,571	0,59	0,80	5600
4,12	0,59	0,80	5600
4,565	0,59	0,80	5600
5,45	0,53	0,72	5000
5,875	0,49	0,67	4650
6,111	0,47	0,64	4500
6,381	0,45	0,61	4300



With safety according to DNV:

Reduction Ratios:	Power kw/rpm	Factor HP/rpm	Torque Nm
2,909	0,68	0,93	7000
3,571	0,68	0,93	7000
4,12	0,68	0,93	7000
4,565	0,68	0,93	7000
5,45	0,65	0,89	6250
5,875	0,60	0,82	5800
6,111	0,58	0,79	5550
6,381	0,53	0,72	5050



Other reduction ratios available upon agreement.

Servo for propeller:

- Max. force: 33 t
- Max. stroke 145mm –
- Suitable for feathering propeller

PTO specifications:

- Max. 3 PTO's
- Total torque: 1300 Nm
- Rpm speed-up ratio: 1,22:1
- SAE-D flange, other SAE flanges available

Weight: 1400-1700 kg

**Options: 1, 2 or 3 PTO's, each with hydraulic Clutch or as live PTO.
Semi flexible foundation.**

4-048-019015-3

HUNDESTED  **PROPELLER A/s**

Stadionvej 4 · DK-3390 Hundested · Danmark · Telefon +45 47 93 71 17 · Telefax +45 47 93 99 02
E-mail: hundested@hundestedpropeller.dk
www.hundestedpropeller.dk