

Propeller 23" – 25" – 27" Overdrive for shaft

Propeller 29" – 32" Overdrive for shaft

- 1) OPERATING INSTRUCTIONS 4-blade Gori Folding Overdrive Propeller
- A) Disassemble complete propeller hub for mounting
- B) Assemble hub on shaft
- C) Exchange of "rubber blade stop"
- D) Exchange of "zinc anodes"
- E) Cleaning of "Gearwheel"
- F) Service sets & Spare Parts List
- G) Supplied Tools

## DK

**Læs instruktionen før der arbejdes med propellen.**

### **Vigtigt!**

Udskift zink hvis de er korroderet mere end 50%.

### **Advarsel!**

Pas på skarpe kanter.

## GB

**Read the Instructions before any work on the propeller.**

### **Important!**

Replace Zinc if eroded more than 50%.

### **Warning!**

Beware of sharp edges.

## D

**Bitte die Anweisung lesen, bevor Sie mit dem Propeller arbeiten.**

### **Wichtig!**

Zinkteile auswechseln, wenn sie mehr als 50% korrodiert sind.

### **Warnung!**

Achten Sie auf die scharfe Kanten.

## F

**Lire les instructions avant toute intervention sur l'hélice**

### **Important!**

Remplacer l'anode zinc si elle est corrodé à plus de 50%

### **Attention!**

Attention aux bords coupants

## IT

**Leggere attentamente le Istruzioni prima di qualsiasi operazione sull'elica.**

### **Importante!**

Sostituire l'anodo di zinco se usurato più del 50%

### **Avvertenza!**

Prestare attenzione alle parti taglienti

## ESP

**Lea las instrucciones antes de efectuar cualquier trabajo en la hélice.**

### **¡ Importante !**

Reemplazar el ánodo si observa mas de un 50 % de corrosión.

### **¡ Advertencia !**

Tenga cuidado con las esquinas afiladas.

## **OPERATING INSTRUCTIONS 4-blade Gori Folding Overdrive Propeller**

CONGRATULATIONS on choosing the 4-blade Gori Folding Propeller.

The 4-blade Gori folding overdrive propeller has been designed in such a way that if the propeller is in "overdrive" position, the boat will attain approximately the same speed at lower engine revolutions.

Do not press the engine to the utmost as this will result in overloading.

Do only use the overdrive function when motoring in calm weather and when using the engine under sail.

**Gori Propeller disclaim the responsibility for any damage caused by overloading the engine. In case of doubt about the loading of the engine, you should contact the authorised engine service organisation and Gori Propeller.**

### **Under sail**

When sailing under sail the blades usually fold, however, you should put the lever in reverse if the engine is not turned on. This will lock the shaft and ensure that the propeller folds and does not spin.

### **Ahead**

The propeller usually opens in forward position unless the boat has just been in reverse.

If you want to shift from "overdrive" to forward position, the lever will have to be put into neutral when the boat does more than 1 knot ahead, until the blades have folded again. Then in forward position again.

In case of harbour manoeuvres the propeller might get into "overdrive" position. Therefore, before leaving the harbour, please always check the position of the propeller by means of the tachometer so that the propeller is in the wanted position.

### **Astern**

In the reverse position the blades swing 180° opposite the forward position which ensures the same blade leading edge and profile – resulting in high efficiency. If the boat has not been used for some time, you should shift cautiously between forward and reverse a few times before sailing in order to clean the teeth of the blades and the gears from fouling.

### **Ahead "Overdrive"**

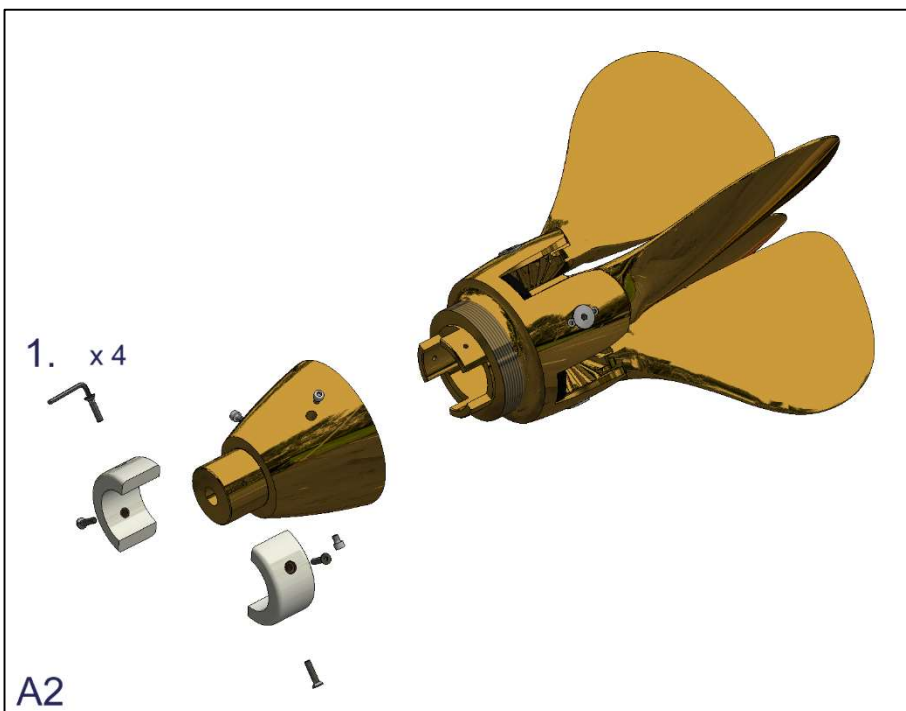
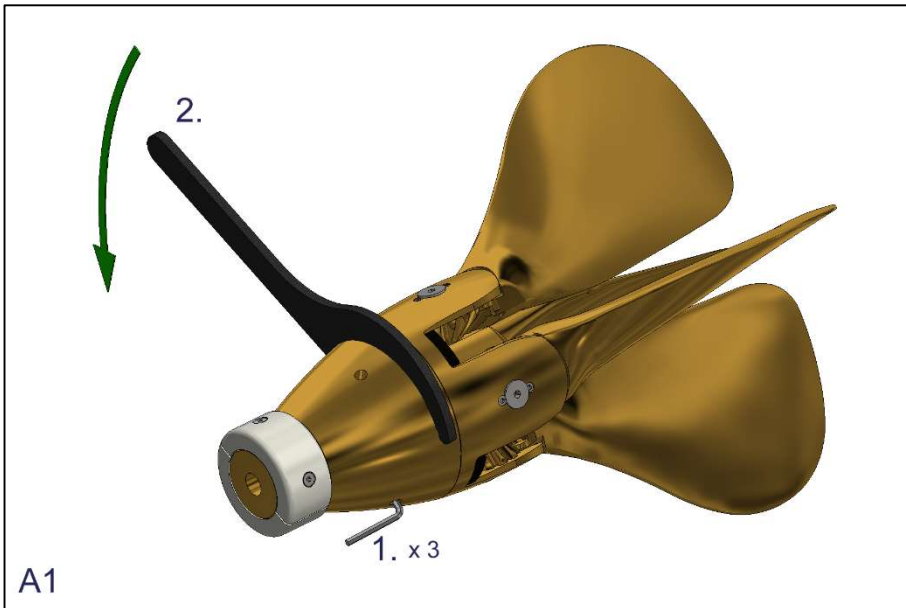
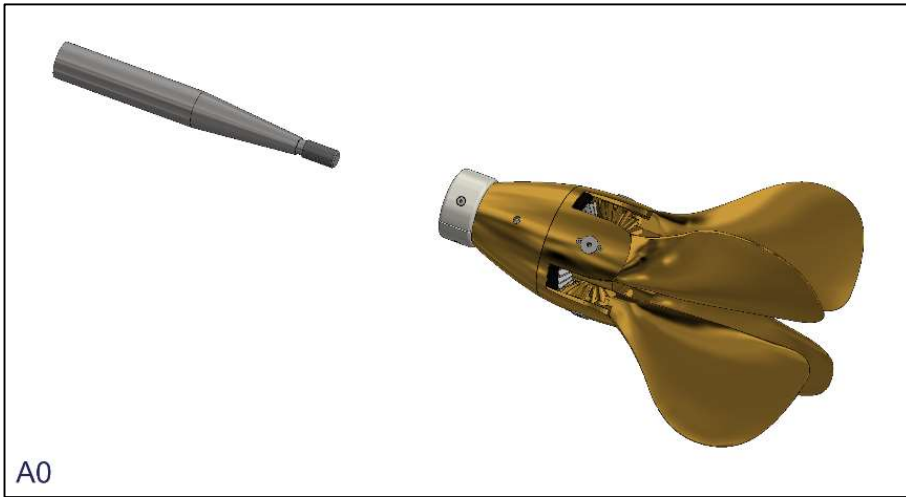
In order to position the propeller in forward "overdrive" it is necessary to move the boat astern so that the blades are kept in reverse position when the lever is put into forward. Do not try to make the propeller go from forward to "overdrive" position by quick shifts with the lever when the boat is sailing ahead in the water.

**Before going sailing, check that the propeller works in both forward and reverse.**

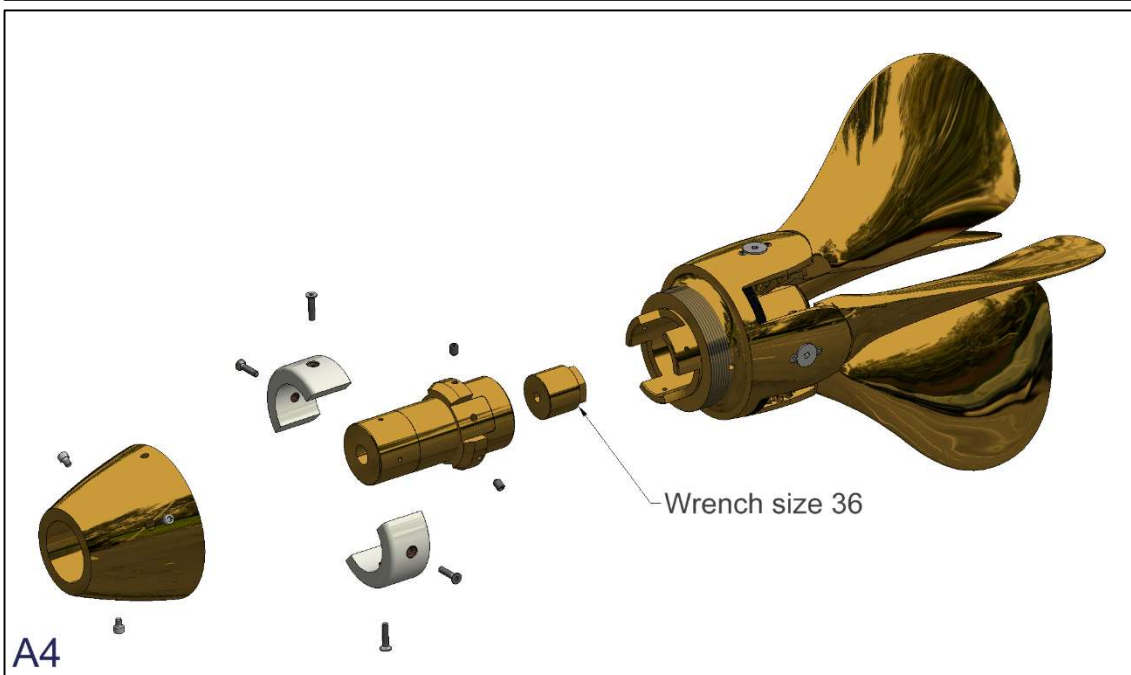
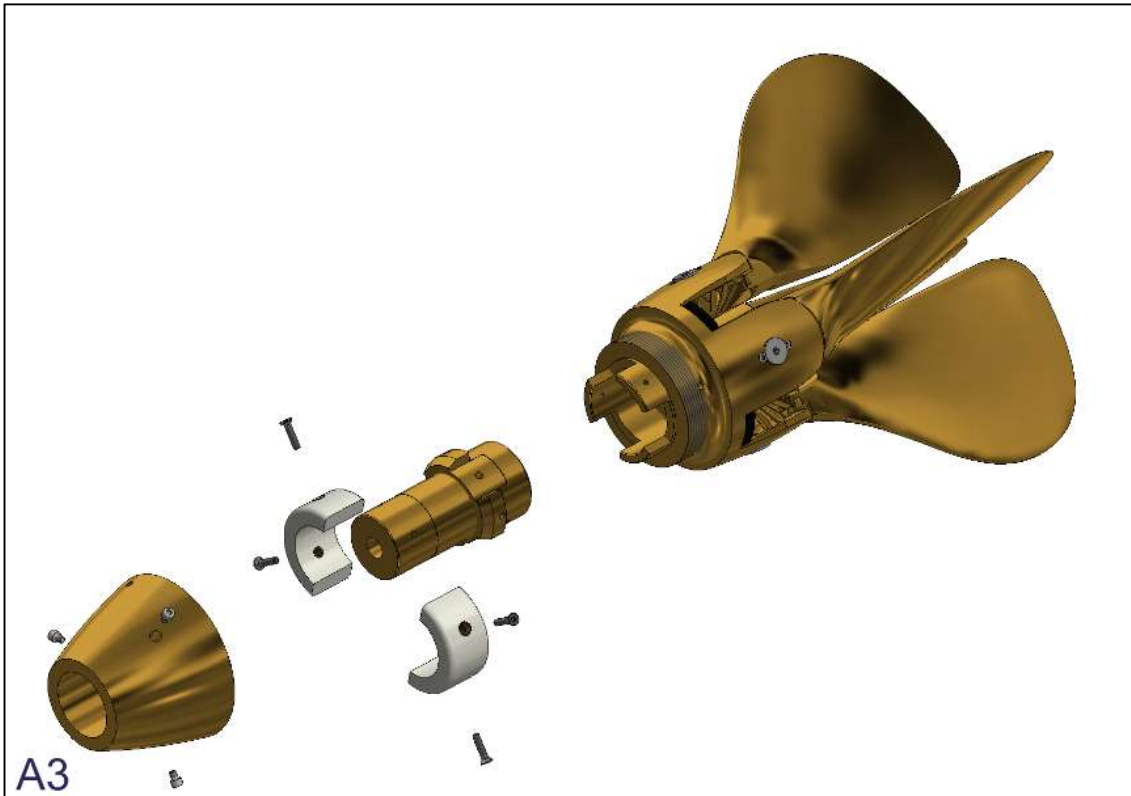
## **WARNING !**

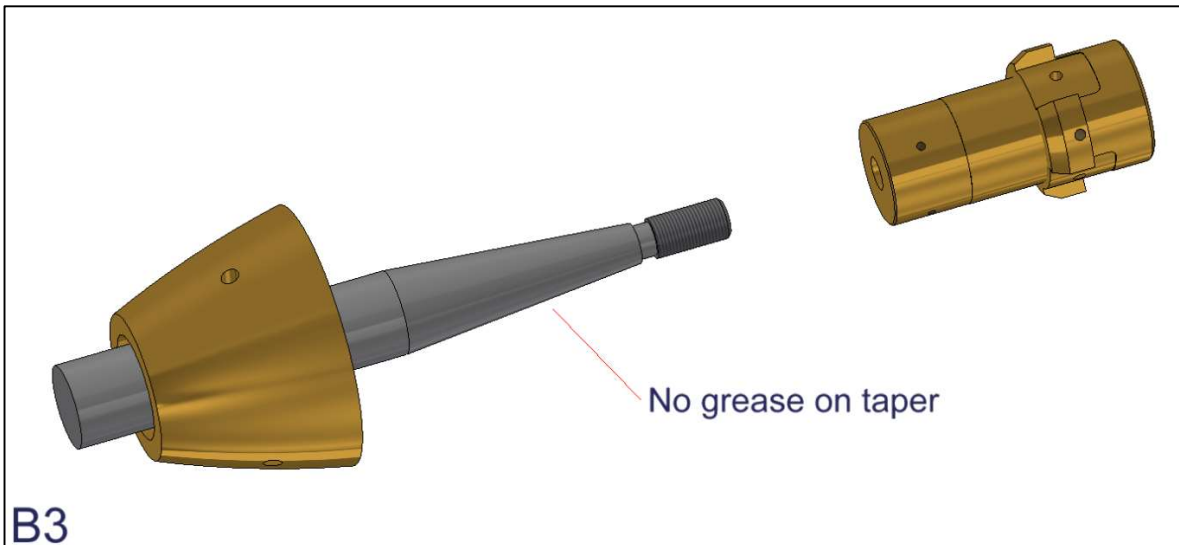
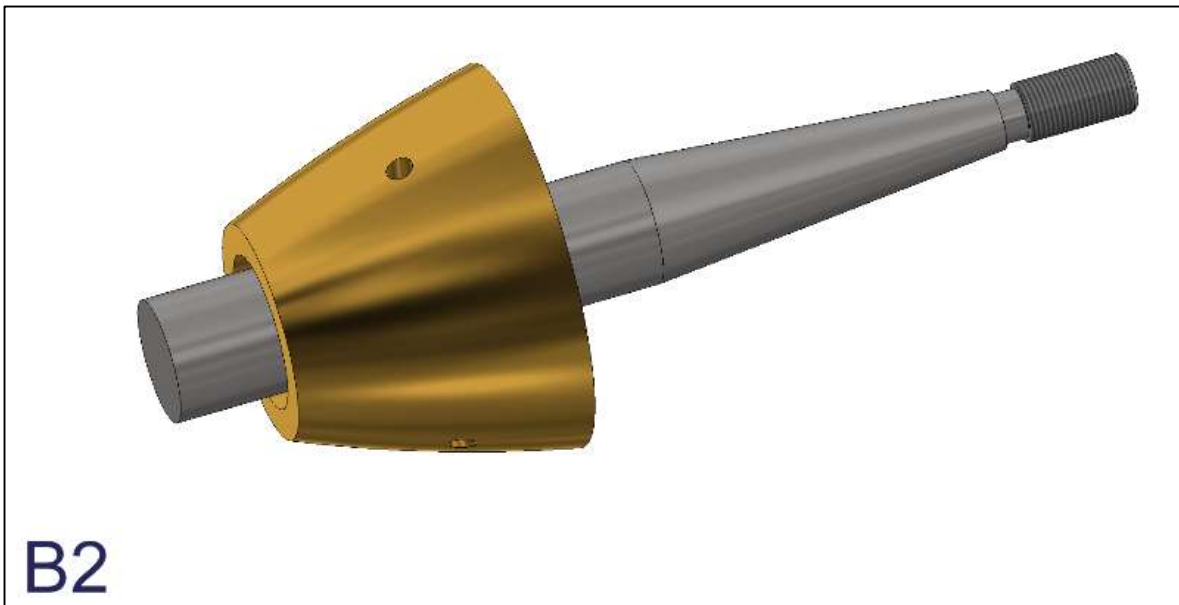
- **Do not start the engine when the boat is out of the water.**
- **The propeller has sharp edges. Be careful not to cut your fingers !**
- **Make sure that the propeller blades do not suddenly open or close and trap your fingers for example.**
- **Do not turn the propeller/engine shaft until the boat is in the water.**
- **Stop the engine before diving or swimming in the vicinity of the boat.**
- **The propeller blades are like knives and can cause considerable damage when rotating. Be careful!**
- **Do not attempt to remove fishing net or ropes from the propeller when the engine is in motion.**
- **Check that the propeller works in both forward and reverse before starting each trip.**
- **If any strange sounds or vibration are noticed coming from the propeller, stop the engine immediately and solve the problem.**
- **In case of problems in connection with the mounting, use or function of the propeller, contact Gori Propeller or the importer in your country.**

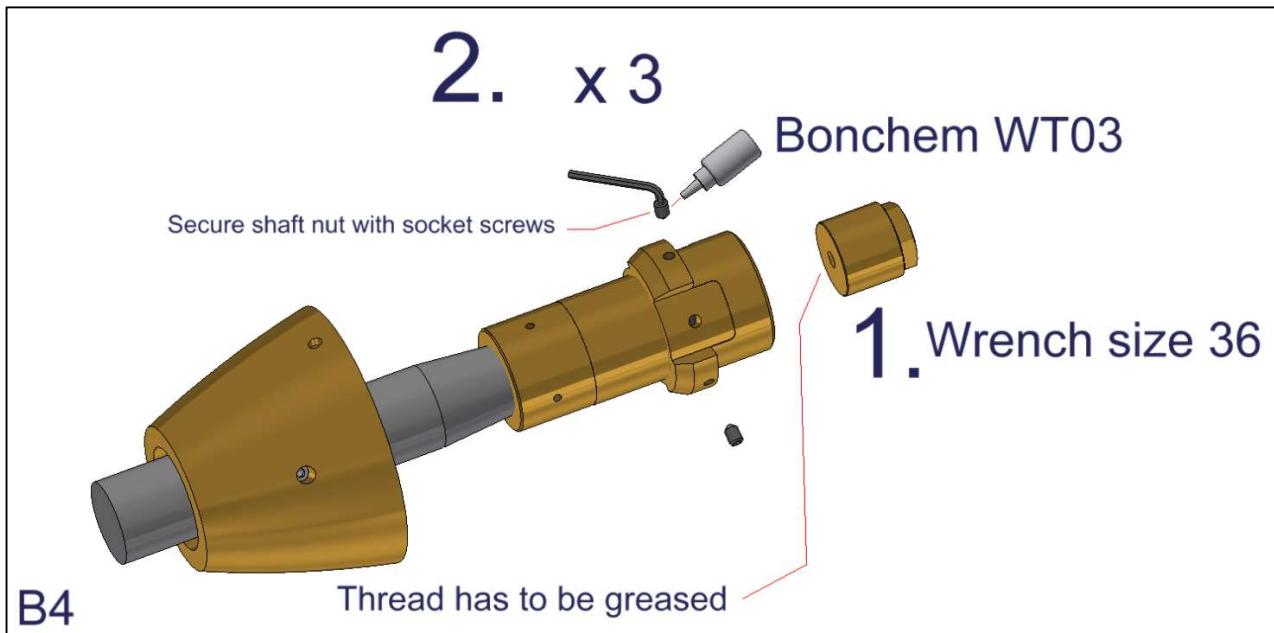
Disassemble complete propeller hub for mounting – (A)



Disassemble complete propeller hub for mounting – (A)





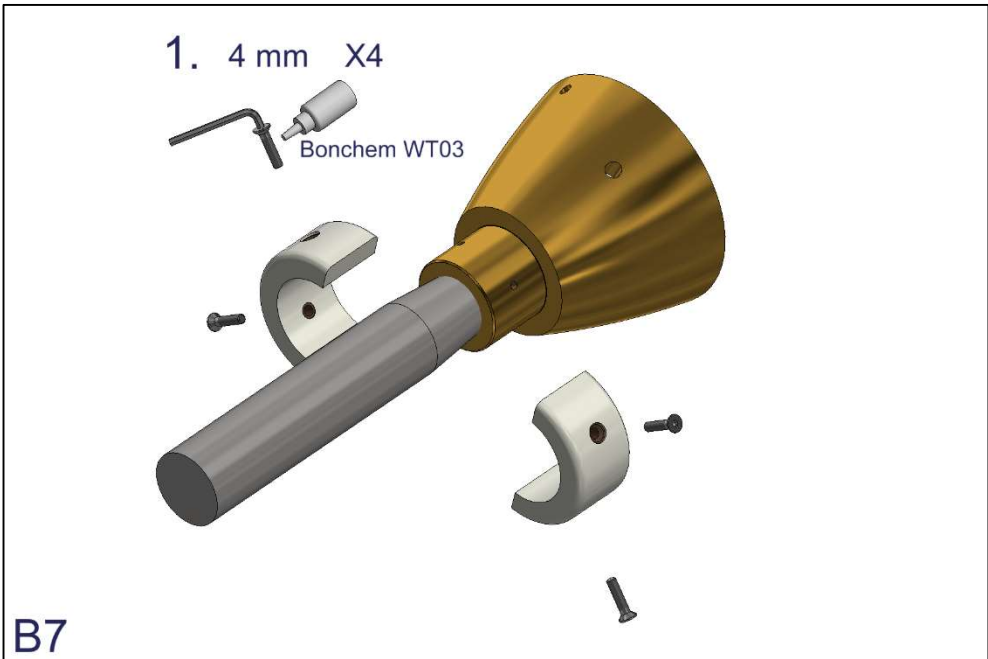
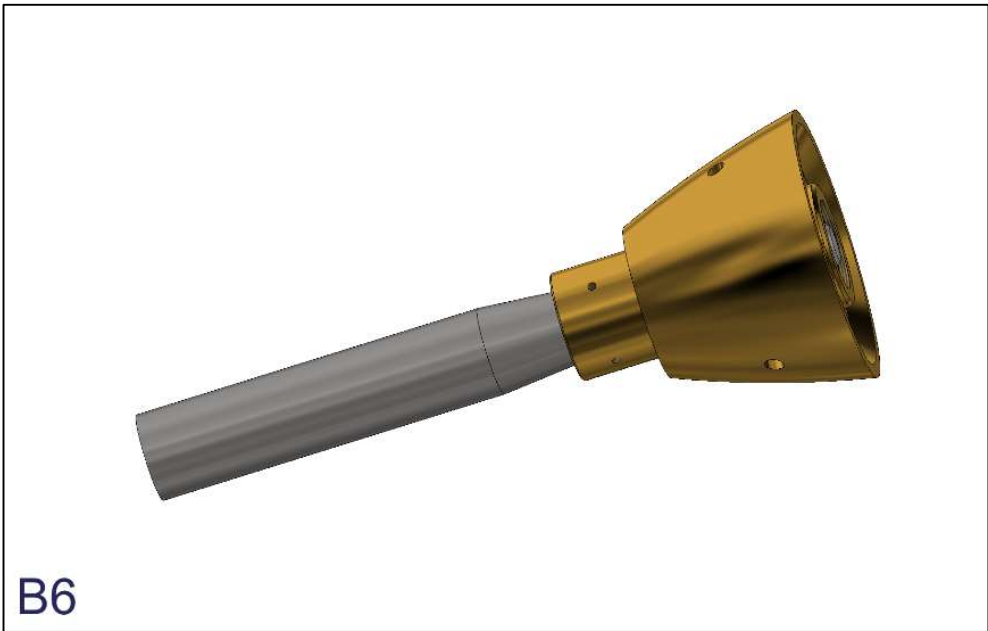
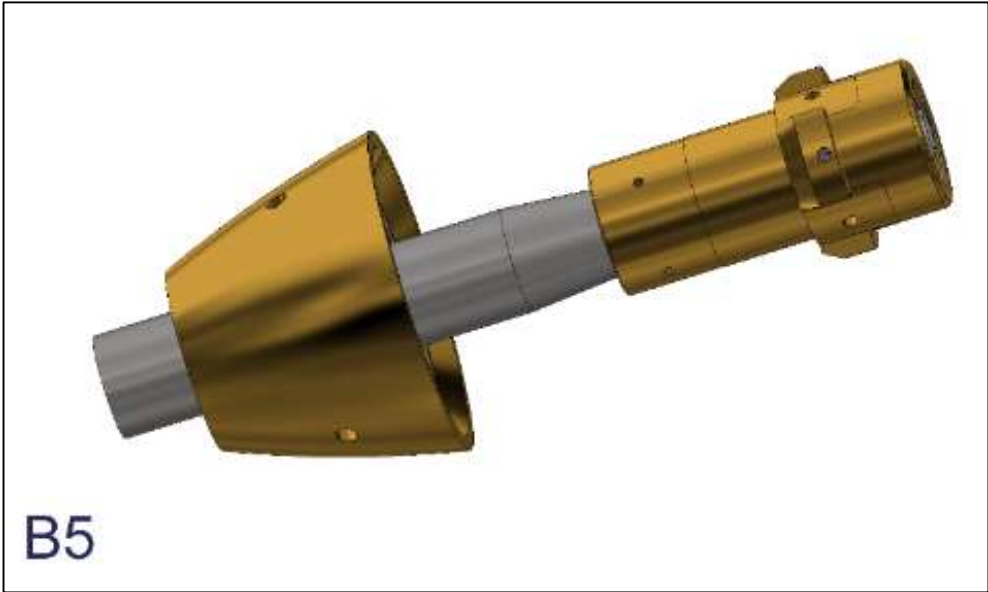


| <b>Propeller: 23" - 25" - 27" - 29" - 32"</b>    |             |       |        |
|--|-------------|-------|--------|
| <b>Torque settings for Gori shaft nuts in Nm</b> |             |       |        |
|  | Norm Thread |       | Torque |
|  | Diameter    | Pitch |        |
|  | mm          | mm    | Nm     |
| 3/4"-10 UNC                                      | 18.7        | 2.54  | 81     |
| M20 x 2.5  | 19.6        | 2.5   | 91     |
| M20 x 2  | 19.7        | 2     | 96     |
| M20 x 1.5  | 19.7        | 1.5   | 102    |
| 7/8"-9 UNC                                       | 21,8        | 2.82  | 118    |
| M24 x 3  | 23.6        | 3     | 135    |
| M24 x 2  | 23.7        | 2     | 144    |
| 1"-8 UNC   | 25.0        | 3.18  | 151    |
| 1"-12 UNF  | 25.1        | 2.12  | 160    |
| M27 x 2  | 26.7        | 2     | 198    |
| 1 1/8"-7 UNC                                     | 28,1        | 3,63  | 200    |
| M30 x 2  | 29.7        | 2     | 245    |
| 1 1/4"-7 UNC                                     | 31,3        | 3,63  | 260    |
| M33 x 2  | 32,7        | 2     | 305    |
| M36 x 3  | 35.6        | 3     | 335    |
| 1 1/2"-6 UNC                                     | 37,6        | 4,23  | 335    |
| M40 x 3  | 39,6        | 3     | 400    |
| M42 x 3  | 41,6        | 3     | 440    |
| 1 3/4"-5 UNC                                     | 43,9        | 5,08  | 450    |
| M45 x 3,5  | 44,5        | 3,5   | 490    |

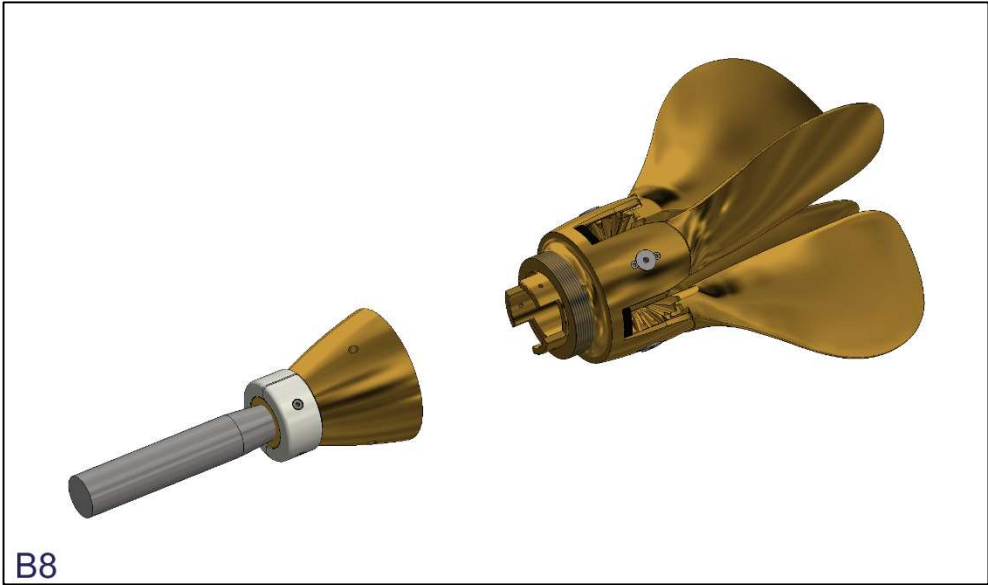
Thread has to be greased

No grease on taper on shaft

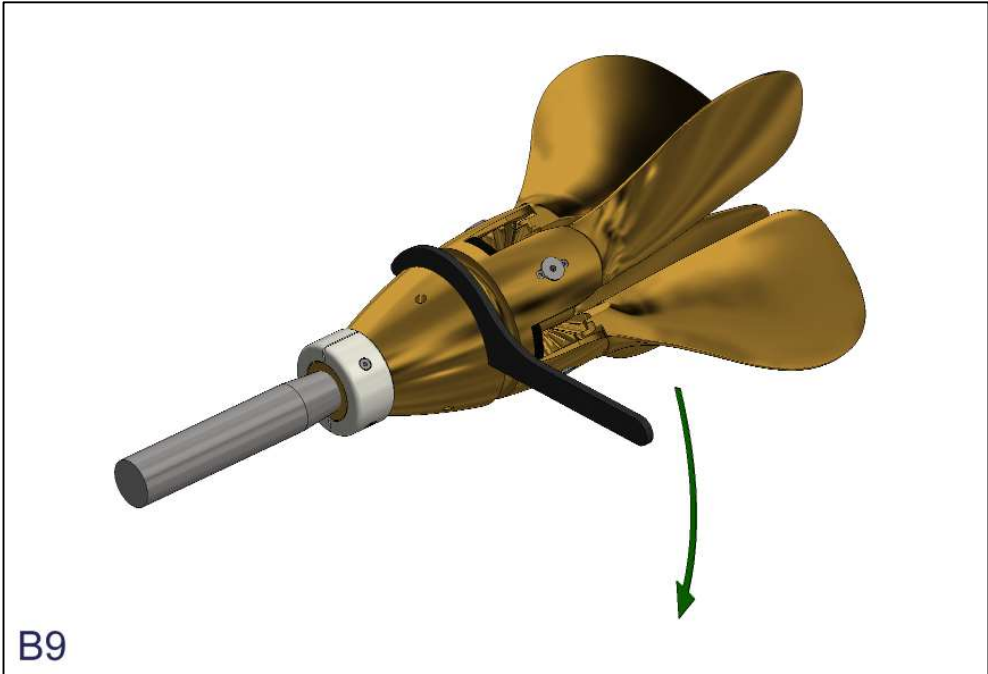




Assemble hub on shaft – (B)

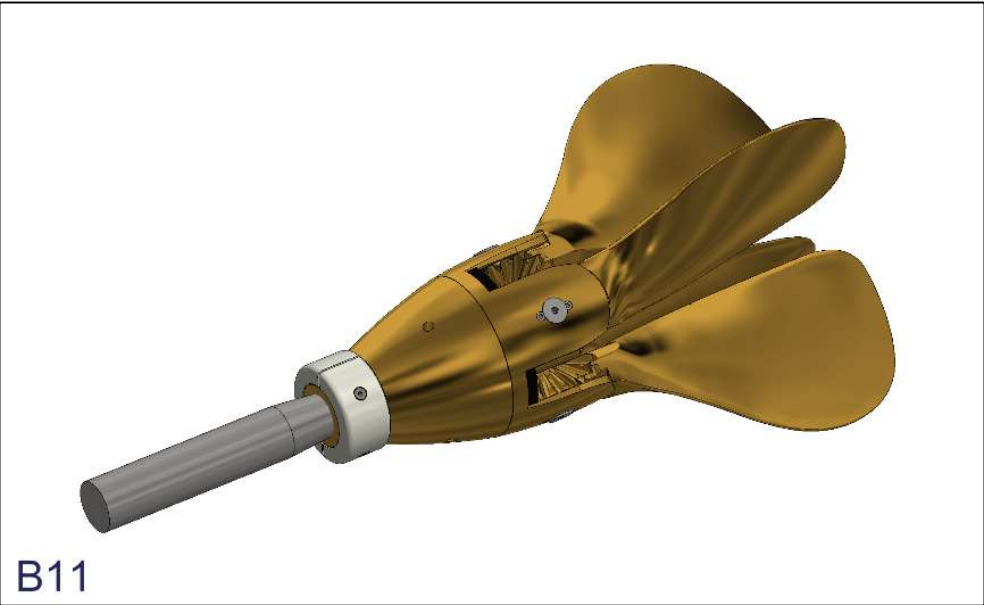
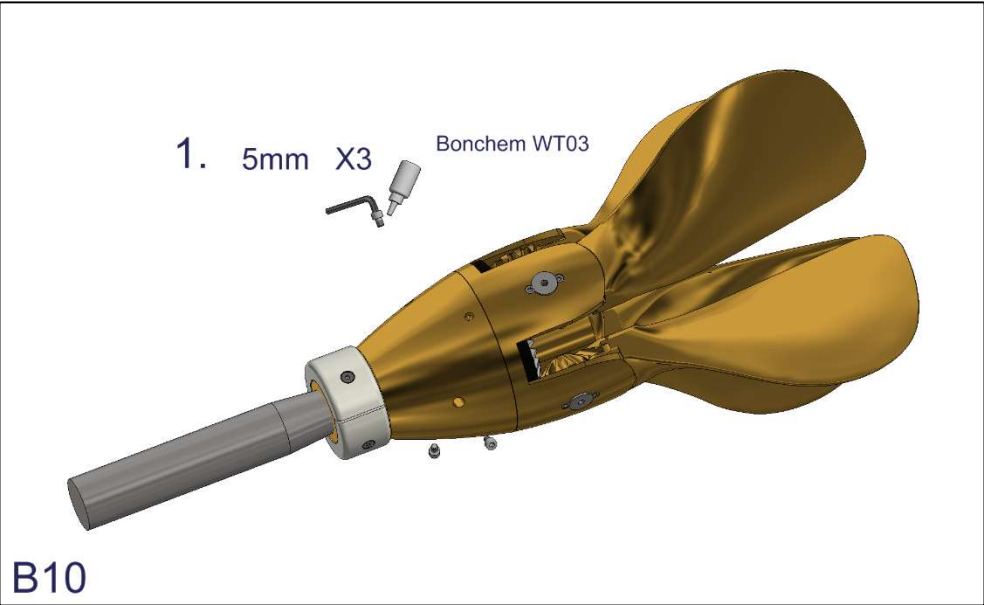


B8

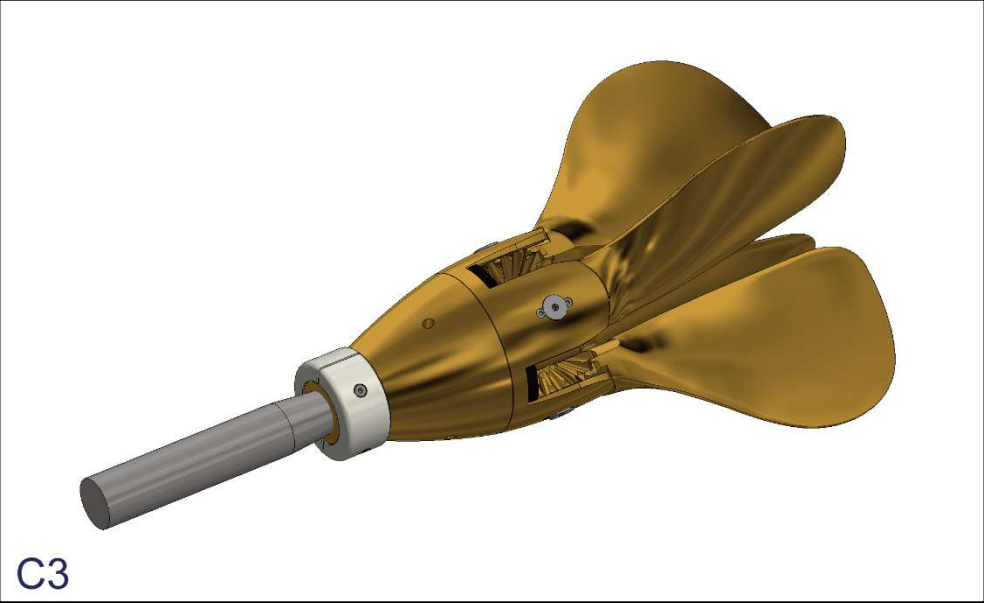
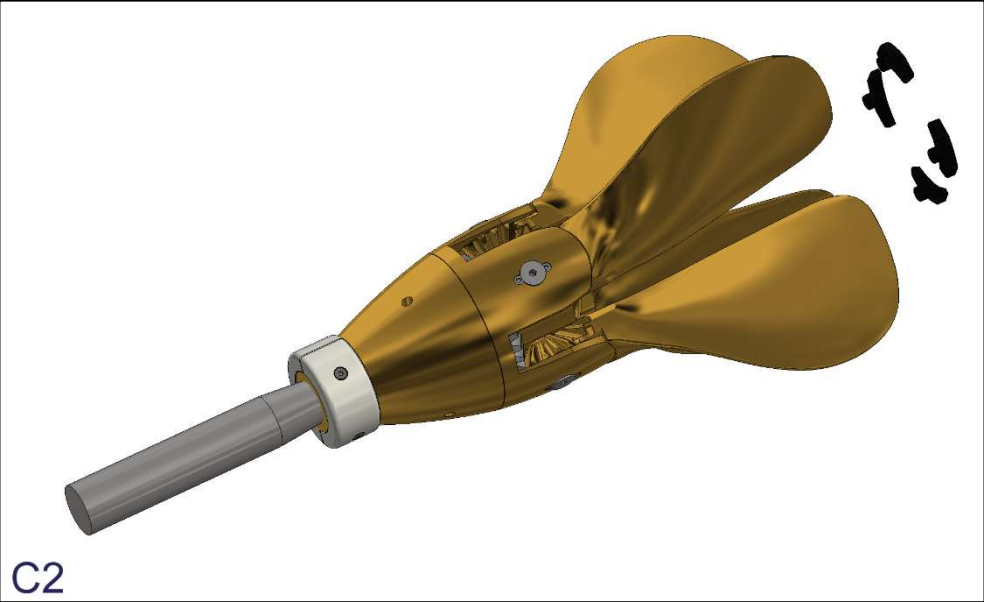
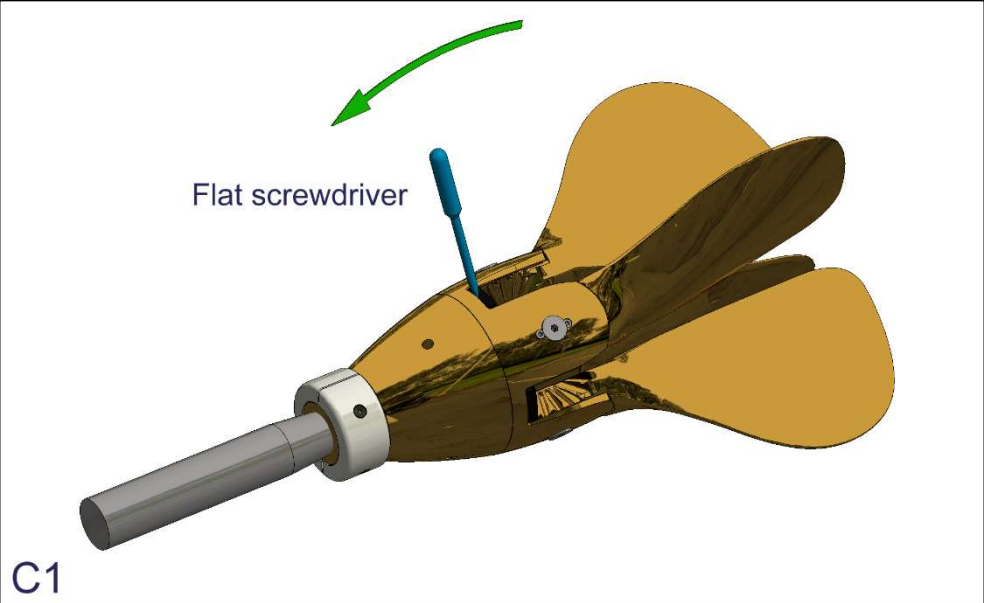


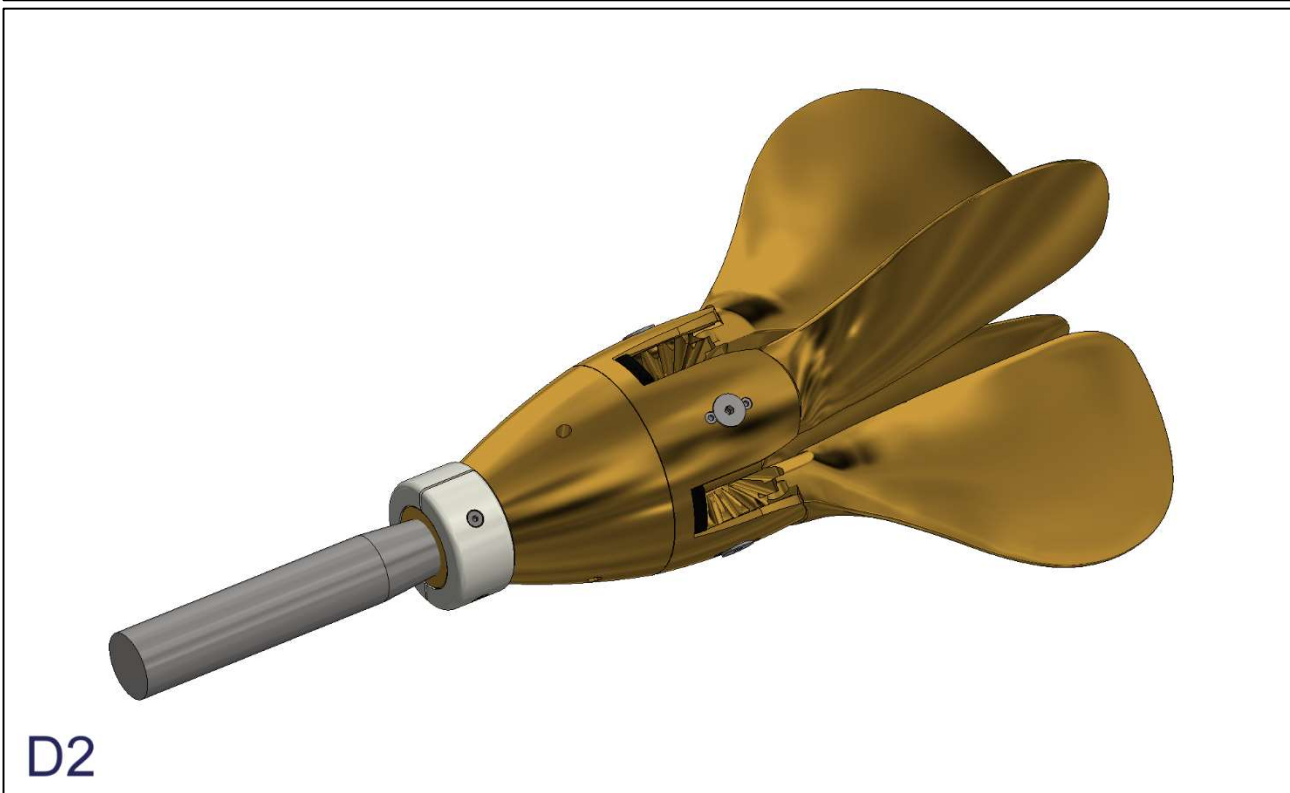
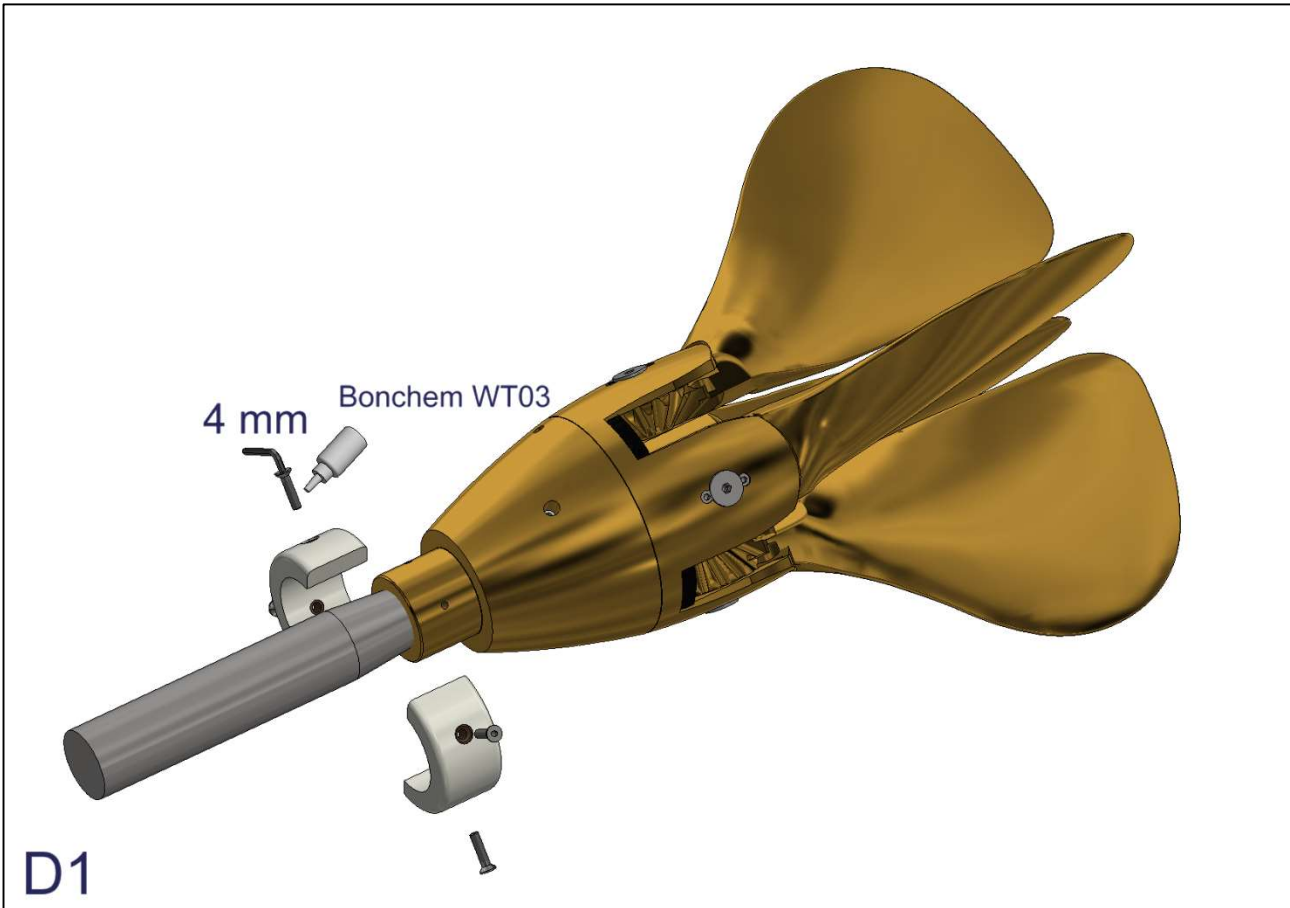
B9

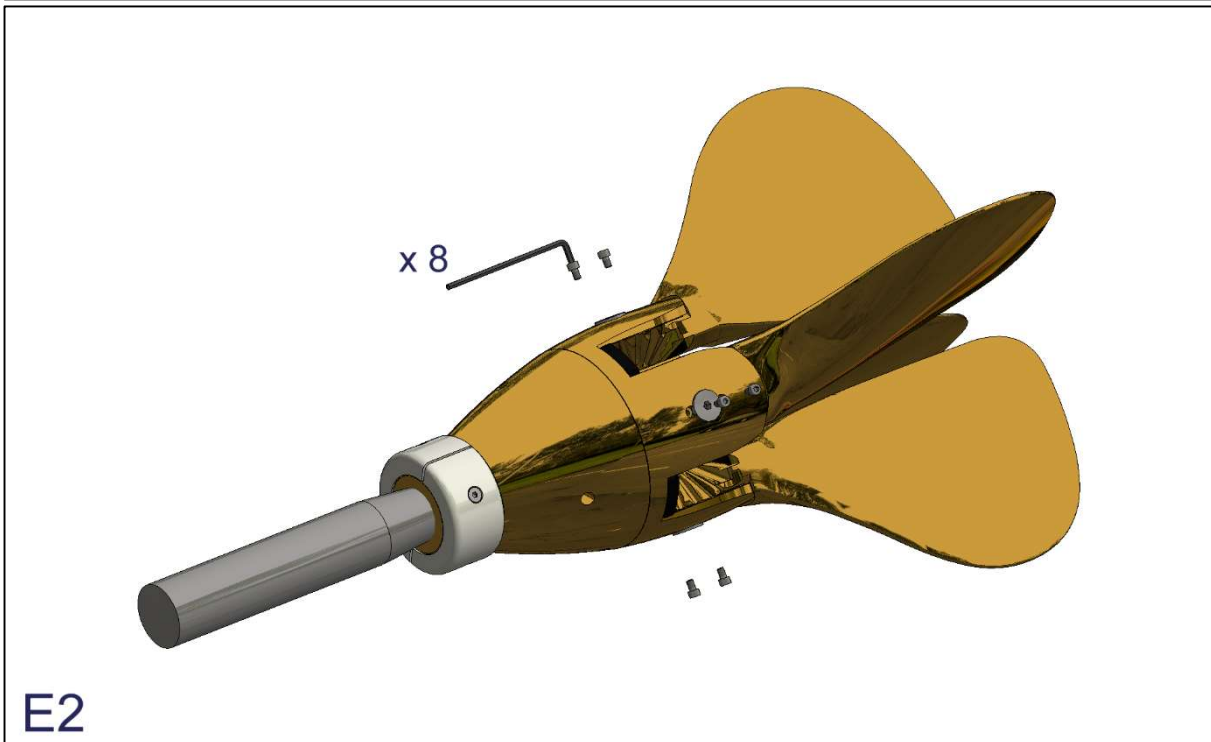
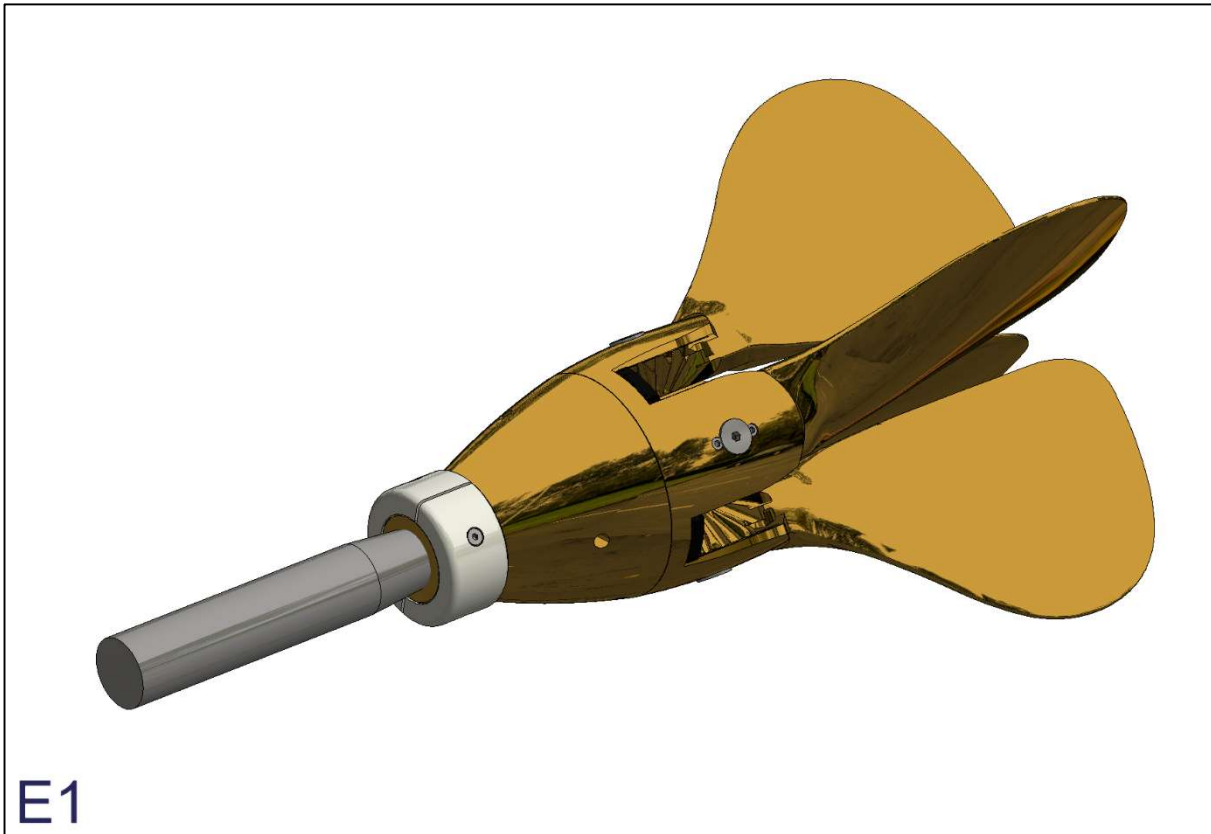
Assemble hub on shaft – (B)

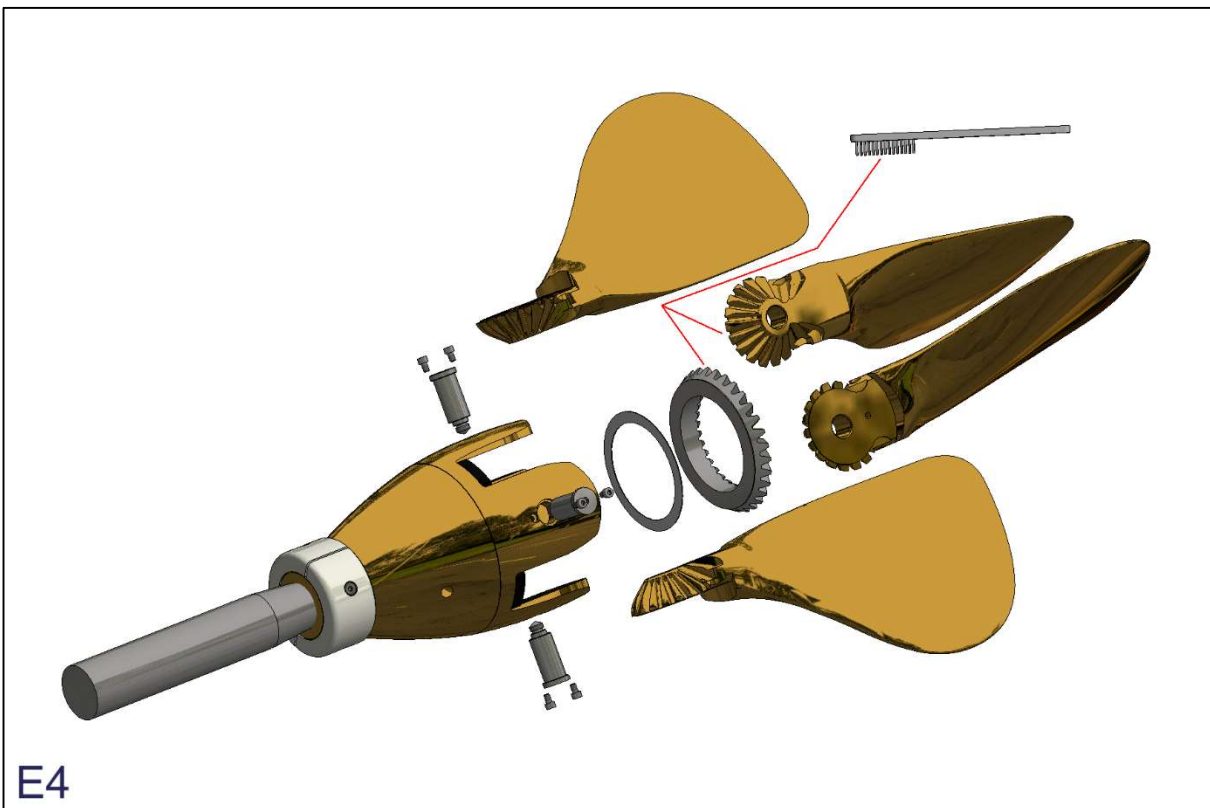
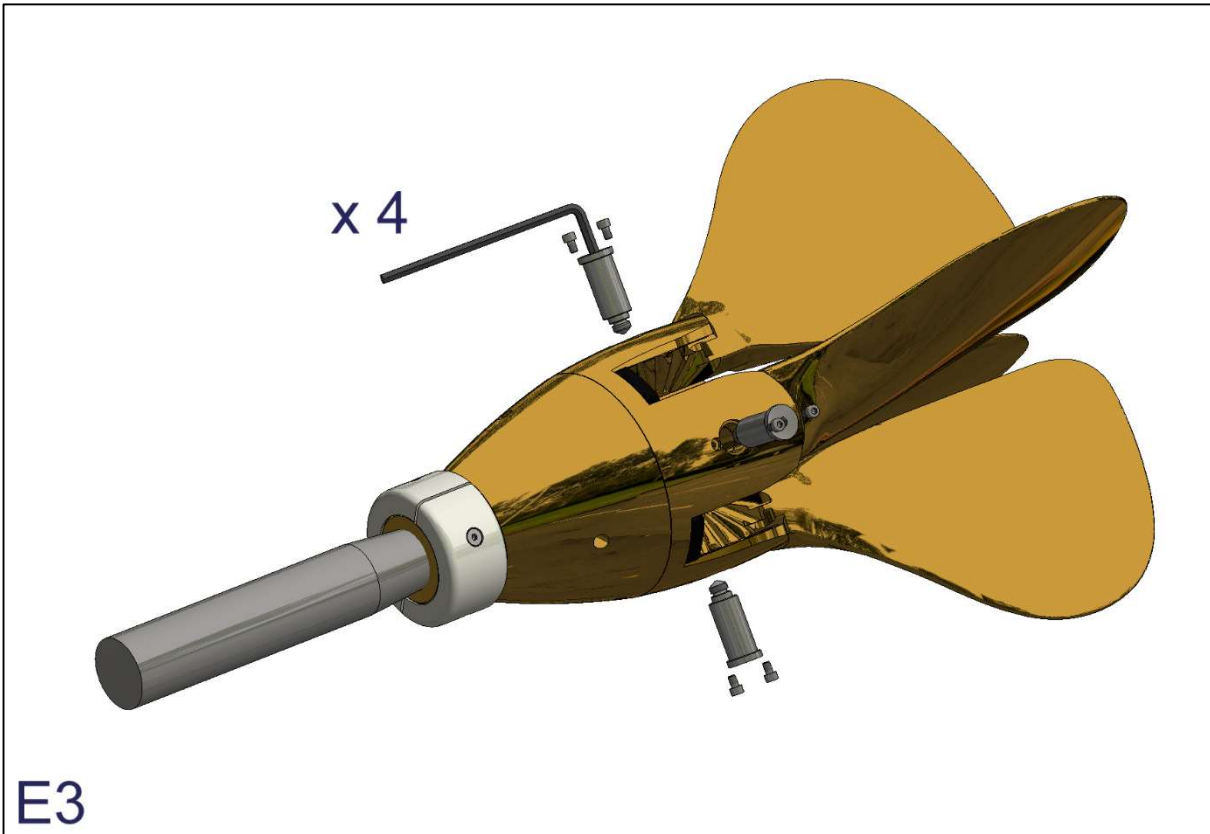


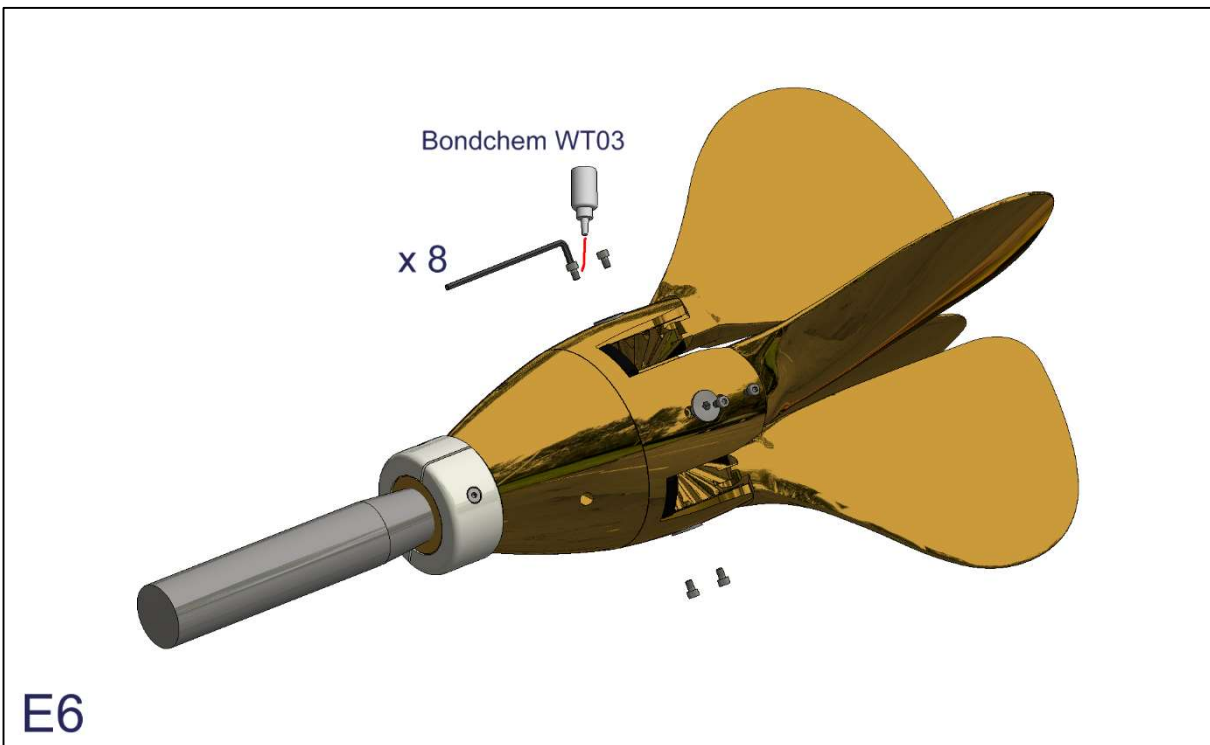
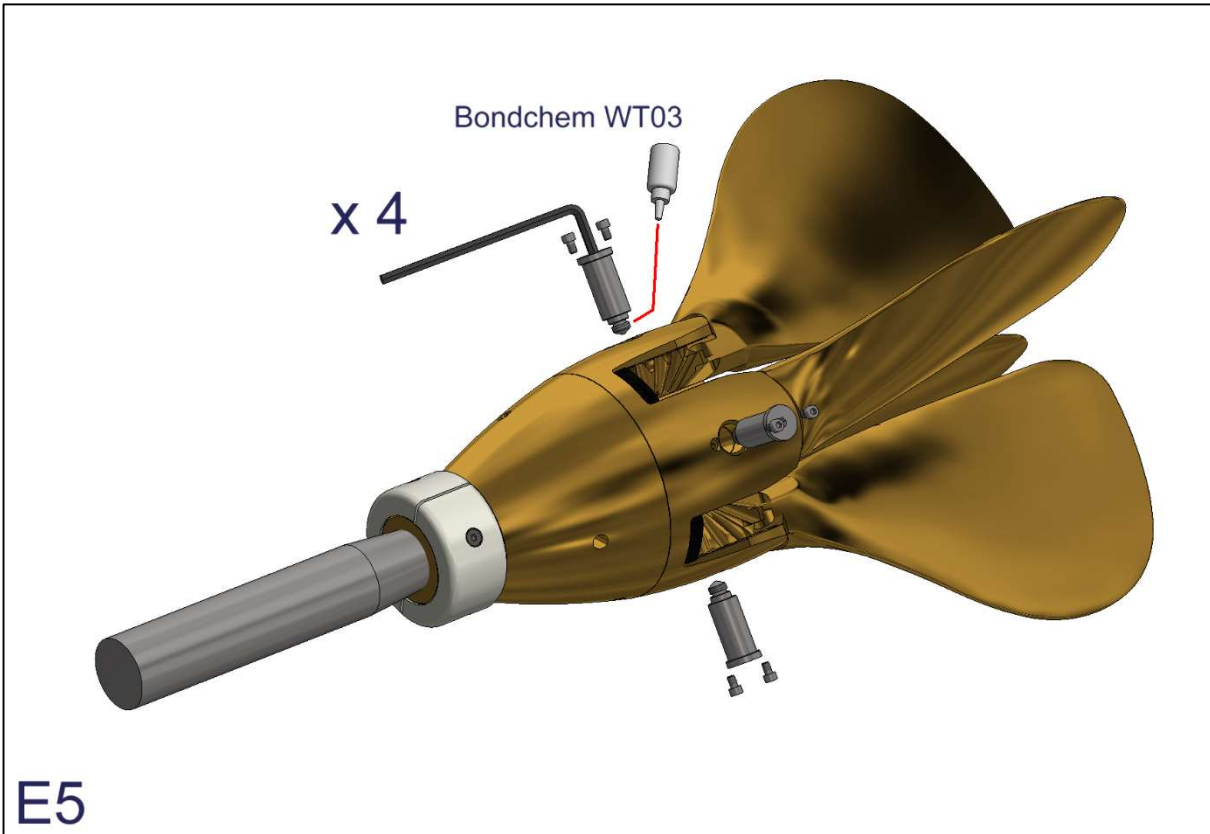
Exchange of “rubber blade stop” – (C)



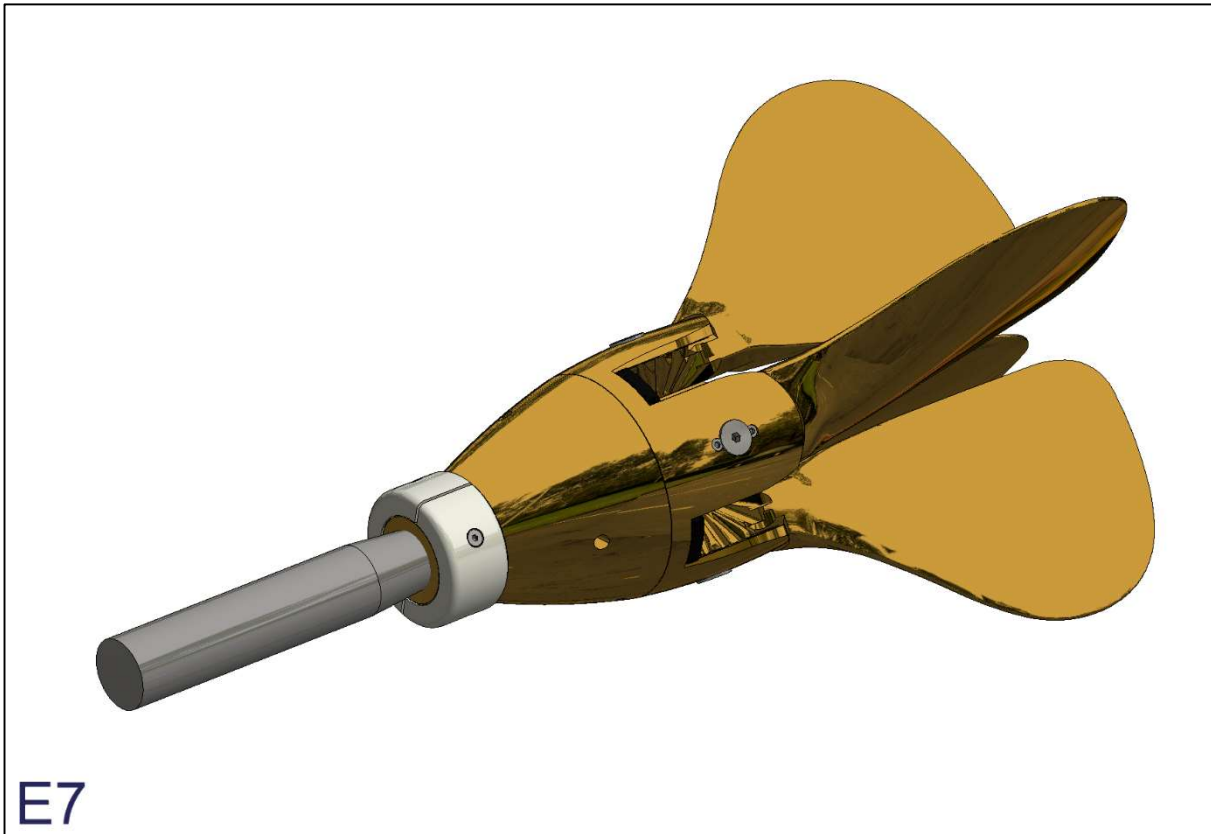


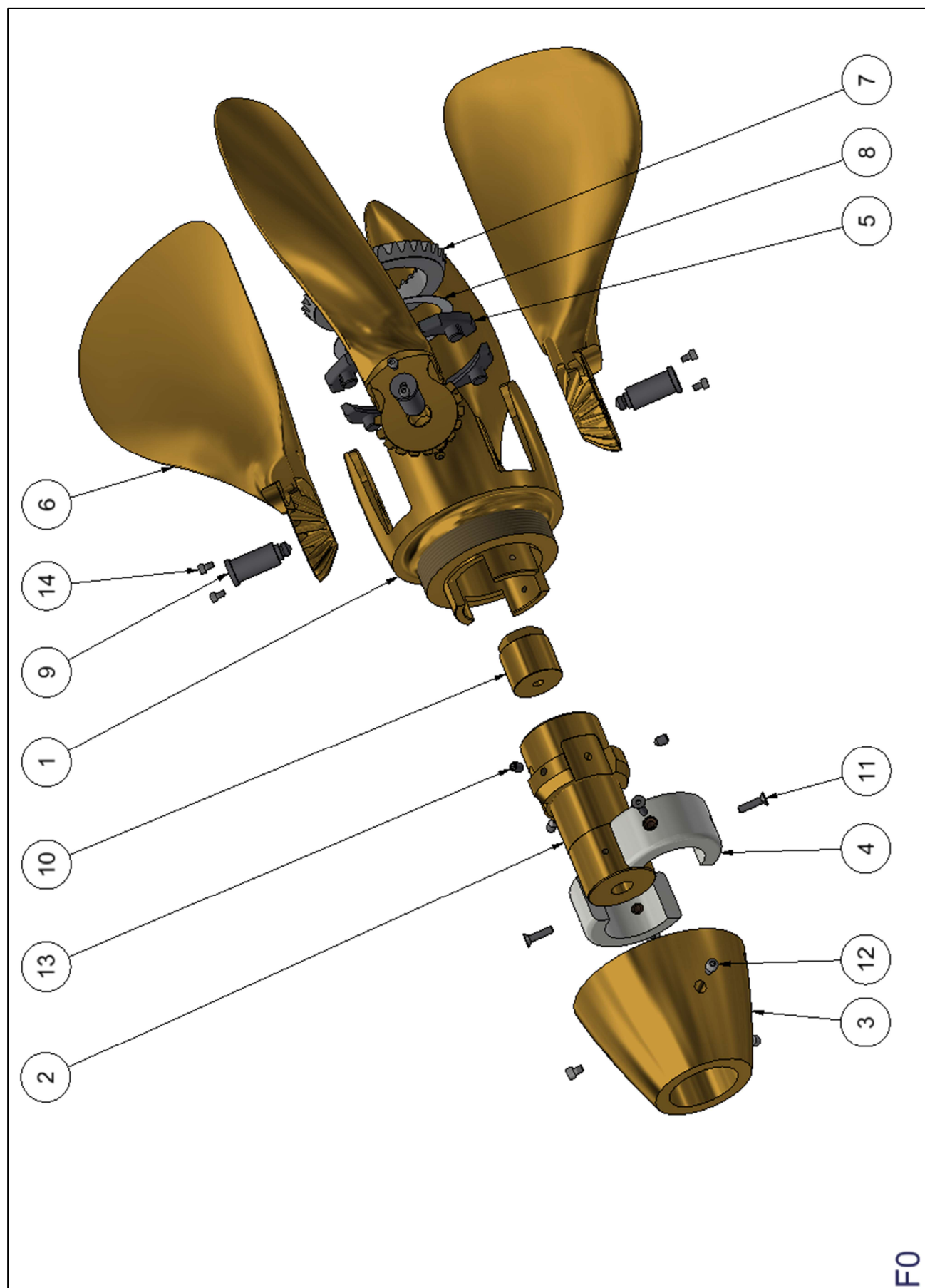












## Service sets & Spare Parts List – (F)

Size: 23" – 25" – 27"

Service set 1441654220

| ITEM | DK           | GB           | DE             | STOCK NUMBER | QTY |
|------|--------------|--------------|----------------|--------------|-----|
| 5    | Gummistopper | Rubber stop; | Gummianschläge | 1407604165   | 4   |

Service set 1554000000

| ITEM | DK                          | GB                    | DE                    | STOCK NUMBER | QTY |
|------|-----------------------------|-----------------------|-----------------------|--------------|-----|
| 4    | Zinkanode - ring            | Zinc ring anode       | Zinkring anode        | 1510560000   | 2   |
| 11   | Undersænket skrue M6x25, A4 | Flat Countersunk Head | Senkschraube          | 1179910625   | 4   |
| -    | Gevindsikring               | Threadlocking         | Schraubensicherung    | 1410000000   | 1   |
| -    | Unbrakonøgle - 4 mm         | Allen key - 4 mm      | Inbusschlüssel - 4 mm | 1402000000   | 1   |

| ITEM | DK                           | GB                                | DE                                | STOCK NUMBER | QTY |
|------|------------------------------|-----------------------------------|-----------------------------------|--------------|-----|
| 1    | Navtop                       | Blade housing                     | Nabenoberteil                     | 55000B4165   | 1   |
| 2    | Konusdel                     | Tapered part                      | Kegel                             | 3400000110   | 1   |
| 3    | Nav kappe                    | Hub shell                         | Nabenschale                       | 53000B4165   | 1   |
| 4    | Zinkanode - ring             | Zinc ring anode                   | Zinkring anode                    | 1510560000   | 2   |
| 5    | Gummistopper                 | Rubber stop;                      | Gummianschläge                    | 1407604165   | 4   |
| 6    | Propelblade / 23" x 17" RH   | Propeller blades / 23" x 17" RH   | Propellerblätter / 23" x 17" RH   | 5123017001   | 4   |
| 6    | Propelblade / 23" x 17" LH   | Propeller blades / 23" x 17" LH   | Propellerblätter / 23" x 17" LH   | 5123017002   | 4   |
| 6    | Propelblade / 25" x 14,5" RH | Propeller blades / 25" x 14,5" RH | Propellerblätter / 25" x 14,5" RH | 5125014501   | 4   |
| 6    | Propelblade / 25" x 14,5" LH | Propeller blades / 25" x 14,5" LH | Propellerblätter / 25" x 14,5" LH | 5125014502   | 4   |
| 6    | Propelblade / 25" x 15" RH   | Propeller blades / 25" x 15" RH   | Propellerblätter / 25" x 15" RH   | 5125015001   | 4   |
| 6    | Propelblade / 25" x 16" RH   | Propeller blades / 25" x 16" RH   | Propellerblätter / 25" x 16" RH   | 5125016001   | 4   |
| 6    | Propelblade / 25" x 17" RH   | Propeller blades / 25" x 17" RH   | Propellerblätter / 25" x 17" RH   | 5125017001   | 4   |
| 6    | Propelblade / 25" x 17" LH   | Propeller blades / 25" x 17" LH   | Propellerblätter / 25" x 17" LH   | 5125017002   | 4   |
| 6    | Propelblade / 25" x 18" LH   | Propeller blades / 25" x 18" LH   | Propellerblätter / 25" x 18" LH   | 5125018002   | 4   |
| 6    | Propelblade / 25" x 19" RH   | Propeller blades / 25" x 19" RH   | Propellerblätter / 25" x 19" RH   | 5125019001   | 4   |
| 6    | Propelblade / 25" x 19" LH   | Propeller blades / 25" x 19" LH   | Propellerblätter / 25" x 19" LH   | 5125019002   | 4   |
| 6    | Propelblade / 27" x 17" LH   | Propeller blades / 27" x 17" LH   | Propellerblätter / 27" x 17" LH   | 5127017002   | 4   |
| 6    | Propelblade / 27" x 18" RH   | Propeller blades / 27" x 18" RH   | Propellerblätter / 27" x 18" RH   | 5127018001   | 4   |
| 6    | Propelblade / 27" x 18" LH   | Propeller blades / 27" x 18" LH   | Propellerblätter / 27" x 18" LH   | 5127018002   | 4   |
| 6    | Propelblade / 27" x 19" LH   | Propeller blades / 27" x 19" LH   | Propellerblätter / 27" x 19" LH   | 5127019002   | 4   |
| 6    | Propelblade / 27" x 20" RH   | Propeller blades / 27" x 20" RH   | Propellerblätter / 27" x 20" RH   | 5127020001   | 4   |
| 6    | Propelblade / 27" x 20" LH   | Propeller blades / 27" x 20" LH   | Propellerblätter / 27" x 20" LH   | 5127020002   | 4   |
| 6    | Propelblade / 27" x 21" RH   | Propeller blades / 27" x 21" RH   | Propellerblätter / 27" x 21" RH   | 5127021001   | 4   |
| 6    | Propelblade / 27" x 21" LH   | Propeller blades / 27" x 21" LH   | Propellerblätter / 27" x 21" LH   | 5127021002   | 4   |
| 7    | Tandhjul                     | Gear-wheel                        | Zahnrad                           | 1407204165   | 1   |
| 8    | Afstandsskive                | Spacer                            | Abstandshalter                    | 1404090000   | 1   |
| 9    | Aksel til propelblade        | Blade pins                        | Führungsbolzen                    | 1513000000   | 4   |
| 10   | Møtrik*                      | Nut*                              | Mütter*                           | ---          | 1   |
| 11   | Undersænket skrue            | Flat Countersunk Head             | Senkschraube                      | 1179910625   | 4   |
| 12   | Skrue - cylindrisk hoved     | Hex Socket Head                   | Cylinderschraube                  | 1406800000   | 3   |
| 13   | Pinol skrue                  | Hex Socket Set Screw              | Gewindestift                      | 1401300000   | 3   |
| 14   | Skrue - cylindrisk hoved     | Hex Socket Head                   | Cylinderschraube                  | 1406900000   | 8   |

\*: Møtrik – bestilles kunde specifik; Nut – ordered cuttom specific; Mütter – kundenspezifisch bestellt

## Service sets & Spare Parts List – (F)

Size: 29" – 32"

Service set 14410B4133. For 13,3 mm mounting hole.

| ITEM | DK           | GB           | DE             | STOCK NUMBER | QTY |
|------|--------------|--------------|----------------|--------------|-----|
| 5    | Gummistopper | Rubber stop; | Gummianschläge | 14076B4133   | 4   |

Service set 14410B4140. For 14 mm mounting hole.

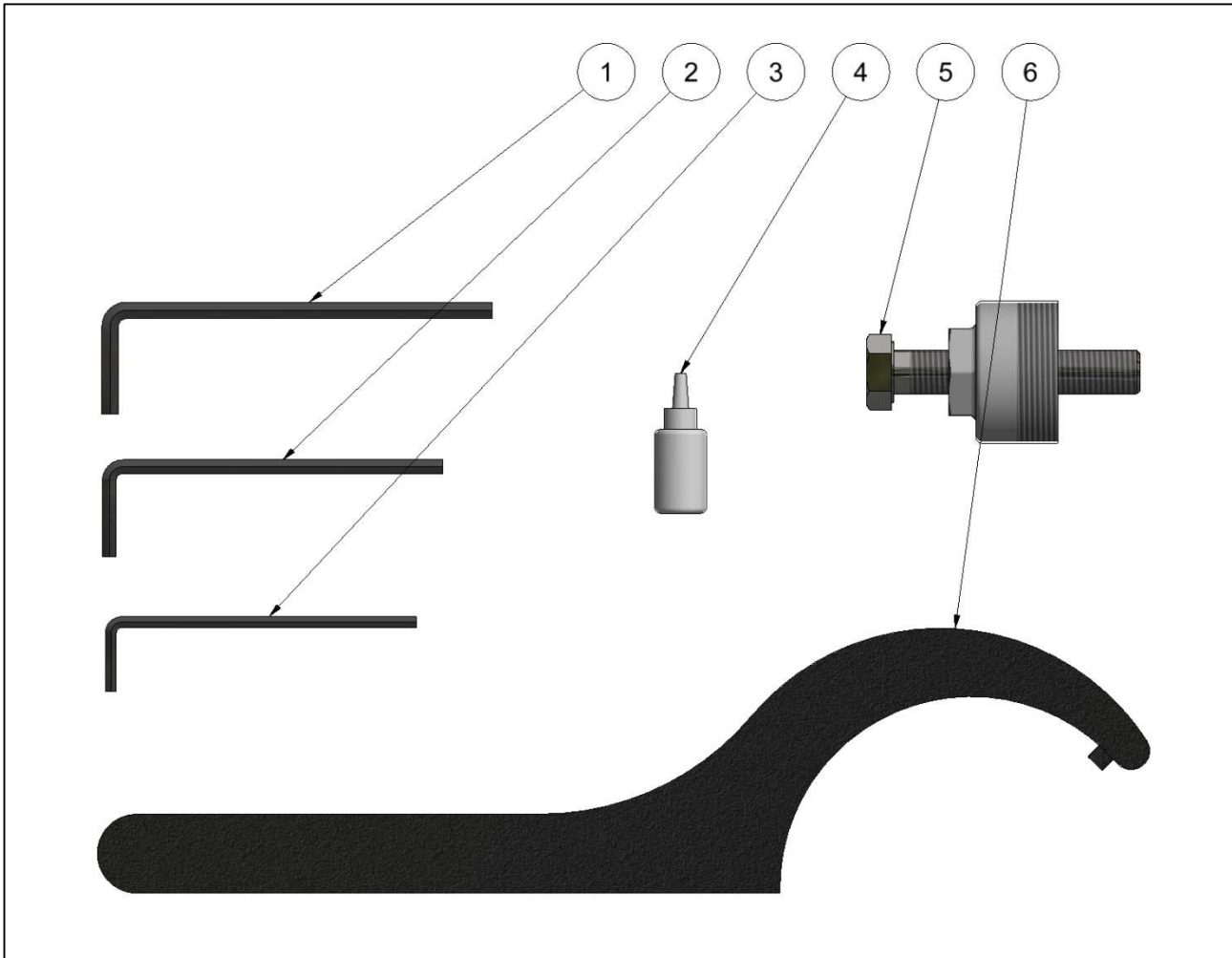
| ITEM | DK           | GB           | DE             | STOCK NUMBER | QTY |
|------|--------------|--------------|----------------|--------------|-----|
| (5)  | Gummistopper | Rubber stop; | Gummianschläge | 14076B4140   | 4   |

Service set 1555000000

| ITEM | DK                          | GB                    | DE                    | STOCK NUMBER | QTY |
|------|-----------------------------|-----------------------|-----------------------|--------------|-----|
| 4    | Zinkanode - ring            | Zinc ring anode       | Zinkring anode        | 1549000000   | 2   |
| 11   | Undersænket skrue M6x25, A4 | Flat Countersunk Head | Senkskrue             | 1179910625   | 4   |
| -    | Gevindsikring               | Threadlocking         | Schraubensicherung    | 1410000000   | 1   |
| -    | Unbrakonøgle - 4 mm         | Allen key - 4 mm      | Inbusschlüssel - 4 mm | 1402000000   | 1   |

| ITEM | DK                         | GB                              | DE                              | STOCK NUMBER | QTY |
|------|----------------------------|---------------------------------|---------------------------------|--------------|-----|
| 1    | Navtop                     | Blade housing                   | Nabenoberteil                   | 5500B4220    | 1   |
| 2    | Konusdel                   | Tapered part                    | Kegel                           | 3400000140-1 | 1   |
| 3    | Nav kappe                  | Hub shell                       | Nabenschale                     | 53000B4220   | 1   |
| 4    | Zinkanode - ring           | Zinc ring anode                 | Zinkring anode                  | 1549000000   | 2   |
| 5    | Gummistopper               | Rubber stop;                    | Gummianschläge                  | 14076B4133   | 4   |
| 6    | Propelblade / 29" x 17" LH | Propeller blades / 29" x 17" LH | Propellerblätter / 29" x 17" LH | 5130017002   | 4   |
| 6    | Propelblade / 29" x 20" RH | Propeller blades / 29" x 20" RH | Propellerblätter / 29" x 20" RH | 5130020001   | 4   |
| 6    | Propelblade / 29" x 20" LH | Propeller blades / 29" x 20" LH | Propellerblätter / 29" x 20" LH | 5130020002   | 4   |
| 6    | Propelblade / 29" x 21" RH | Propeller blades / 29" x 21" RH | Propellerblätter / 29" x 21" RH | 5130021001   | 4   |
| 6    | Propelblade / 29" x 22" LH | Propeller blades / 29" x 22" LH | Propellerblätter / 29" x 22" LH | 5130022002   | 4   |
| 6    | Propelblade / 29" x 24" RH | Propeller blades / 29" x 24" RH | Propellerblätter / 29" x 24" RH | 5130024001   | 4   |
| 6    | Propelblade / 29" x 24" LH | Propeller blades / 29" x 24" LH | Propellerblätter / 29" x 24" LH | 5130024002   | 4   |
| 6    | Propelblade / 32" x 18" RH | Propeller blades / 32" x 18" RH | Propellerblätter / 32" x 18" RH | 5132018001   | 4   |
| 6    | Propelblade / 32" x 20" RH | Propeller blades / 32" x 20" RH | Propellerblätter / 32" x 20" RH | 5132020001   | 4   |
| 6    | Propelblade / 32" x 22" LH | Propeller blades / 32" x 22" LH | Propellerblätter / 32" x 22" LH | 5130022002   | 4   |
| 6    | Propelblade / 32" x 23" RH | Propeller blades / 32" x 23" RH | Propellerblätter / 32" x 23" RH | 5132023001   | 4   |
| 6    | Propelblade / 32" x 23" LH | Propeller blades / 32" x 23" LH | Propellerblätter / 32" x 23" LH | 5132023002   | 4   |
| 6    | Propelblade / 32" x 24" RH | Propeller blades / 32" x 24" RH | Propellerblätter / 32" x 24" RH | 5132024001   | 4   |
| 6    | Propelblade / 32" x 24" LH | Propeller blades / 32" x 24" LH | Propellerblätter / 32" x 24" LH | 5132024002   | 4   |
| 6    | Propelblade / 32" x 25" RH | Propeller blades / 32" x 25" RH | Propellerblätter / 32" x 25" RH | 5132025001   | 4   |
| 7    | Tandhjul                   | Gear-wheel                      | Zahnrad                         | 14072B4220   | 1   |
| 8    | Afstandsskive              | Spacer                          | Abstandshalter                  | 1404600150   | 1   |
| 9    | Aksel til propelblade      | Blade pins                      | Führungsbolzen                  | 15140B4220   | 4   |
| 10   | Møtrik*                    | Nut*                            | Mütter*                         | ---          | 1   |
| 11   | Undersænket skrue          | Flat Countersunk Head           | Senkskrue                       | 1179910625   | 4   |
| 12   | Skrue - cylindrisk hoved   | Hex Socket Head                 | Cylinderskrue                   | 1406800000   | 3   |
| 13   | Pinol skrue                | Hex Socket Set Screw            | Gewindestift                    | 1401300000   | 3   |
| 14   | Skrue - cylindrisk hoved   | Hex Socket Head                 | Cylinderskrue                   | 1406900000   | 8   |

\*: Møtrik – bestilles kunde specifik; Nut – ordered cuttom specific; Mütter – kundenspezifisch bestellt



23" – 25" – 27"

| ITEM | DK                  | GB               | DE                    | STOCK NUMBER |
|------|---------------------|------------------|-----------------------|--------------|
| 1    | Unbrakonøgle - 6 mm | Allen key - 6 mm | Inbusschlüssel - 6 mm | 1402200000   |
| 2    | Unbrakonøgle - 5 mm | Allen key - 5 mm | Inbusschlüssel - 5 mm | 1402100000   |
| 3    | Unbrakonøgle - 4 mm | Allen key - 4 mm | Inbusschlüssel - 4 mm | 1402000000   |
| 4    | Gevindsikring       | Threadlocking    | Schraubensicherung    | 1410000000   |
| 5    | Aftrækker           | Puller           | Abzieher              | 1528000000   |
| 6    | Hagenøgle           | C-Spanner        | Hagenschlüssel        | 1409800165   |

29" – 32"

| ITEM | DK                  | GB               | DE                    | STOCK NUMBER |
|------|---------------------|------------------|-----------------------|--------------|
| 1    | Unbrakonøgle - 6 mm | Allen key - 6 mm | Inbusschlüssel - 6 mm | 1402200000   |
| 2    | Unbrakonøgle - 5 mm | Allen key - 5 mm | Inbusschlüssel - 5 mm | 1402100000   |
| 3    | Unbrakonøgle - 4 mm | Allen key - 4 mm | Inbusschlüssel - 4 mm | 1402000000   |
| 4    | Gevindsikring       | Threadlocking    | Schraubensicherung    | 1410000000   |
| 5    | Aftrækker           | Puller           | Abzieher              | 1529000000   |
| 6    | Hagenøgle           | C-Spanner        | Hagenschlüssel        | 1409800220   |

12122023

Gori propeller ApS

Fjordagervej 34-36

DK-6100 Haderslev

[www.gori-propeller.dk](http://www.gori-propeller.dk)