

Propeller 15" – 16,5" Overdrive

- 1) OPERATING INSTRUCTIONS 3-blade Gori Folding Overdrive Propeller
- A) Mounting of a complete propeller for sail drive
- B) Exchange of "shock-torque absorber"
- C) Exchange of "rubber blade stop"
- D) Exchange of "zinc anodes"
- E) Cleaning of "Gearwheel"
- F) Service sets & Spare Parts List
- G) Supplied Tools

DK

Læs instruktionen før der arbejdes med propellen.

Vigtigt!

Udskift zink hvis de er korroderet mere end 50%.

Advarsel!

Pas på skarpe kanter.

GB

Read the Instructions before any work on the propeller.

Important!

Replace Zinc if eroded more than 50%.

Warning!

Beware of sharp edges.

D

Bitte die Anweisung lesen, bevor Sie mit dem Propeller arbeiten.

Wichtig!

Zinkteile auswechseln, wenn sie mehr als 50% korrodiert sind.

Warnung!

Achten Sie auf die scharfe Kanten.

F

Lire les instructions avant toute intervention sur l'hélice

Important!

Remplacer l'anode zinc si elle est corrodé à plus de 50%

Attention!

Attention aux bords coupants

IT

Leggere attentamente le Istruzioni prima di qualsiasi operazione sull'elica.

Importante!

Sostituire l'anodo di zinco se usurato più del 50%

Avvertenza!

Prestare attenzione alle parti taglienti

ESP

Lea las instrucciones antes de efectuar cualquier trabajo en la hélice.

¡ Importante !

Reemplazar el ánodo si observa mas de un 50 % de corrosión.

¡ Advertencia !

Tenga cuidado con las esquinas afiladas.

OPERATING INSTRUCTIONS 3-blade Gori Folding Overdrive Propeller

CONGRATULATIONS on choosing the 3-blade Gori Folding Propeller.

The 3-blade Gori folding overdrive propeller has been designed in such a way that if the propeller is in "overdrive" position, the boat will attain approximately the same speed at lower engine revolutions.

Do not press the engine to the utmost as this will result in overloading.

Do only use the overdrive function when motoring in calm weather and when using the engine under sail.

Gori Propeller disclaim the responsibility for any damage caused by overloading the engine. In case of doubt about the loading of the engine, you should contact the authorised engine service organisation and Gori Propeller.

Under sail

When sailing under sail the blades usually fold, however, you should put the lever in reverse if the engine is not turned on. This will lock the shaft and ensure that the propeller folds and does not spin.

Ahead

The propeller usually opens in forward position unless the boat has just been in reverse.

If you want to shift from "overdrive" to forward position, the lever will have to be put into neutral when the boat does more than 1 knot ahead, until the blades have folded again. Then in forward position again.

In case of harbour manoeuvres the propeller might get into "overdrive" position. Therefore, before leaving the harbour, please always check the position of the propeller by means of the tachometer so that the propeller is in the wanted position.

Astern

In the reverse position the blades swing 180° opposite the forward position which ensures the same blade leading edge and profile – resulting in high efficiency. If the boat has not been used for some time, you should shift cautiously between forward and reverse a few times before sailing in order to clean the teeth of the blades and the gears from fouling.

Ahead "Overdrive"

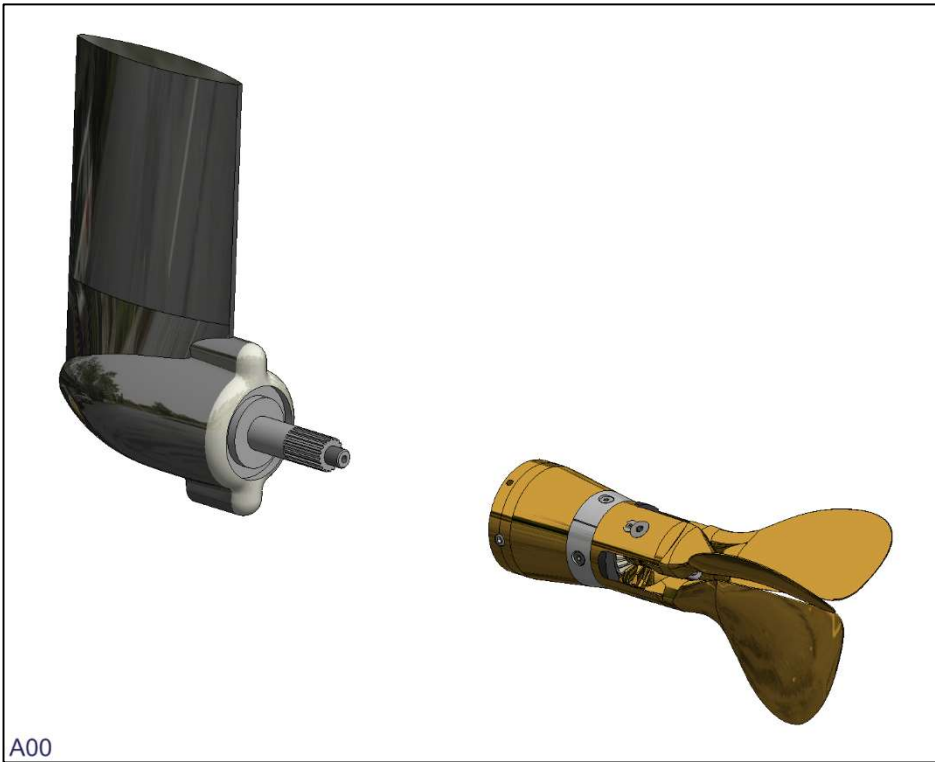
In order to position the propeller in forward "overdrive" it is necessary to move the boat astern so that the blades are kept in reverse position when the lever is put into forward. Do not try to make the propeller go from forward to "overdrive" position by quick shifts with the lever when the boat is sailing ahead in the water.

Before going sailing, check that the propeller works in both forward and reverse.

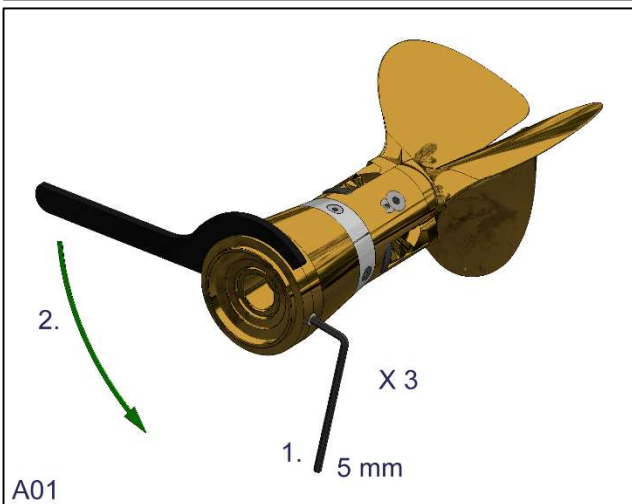
WARNING !

- **Do not start the engine when the boat is out of the water.**
- **The propeller has sharp edges. Be careful not to cut your fingers !**
- **Make sure that the propeller blades do not suddenly open or close and trap your fingers for example.**
- **Do not turn the propeller/engine shaft until the boat is in the water.**
- **Stop the engine before diving or swimming in the vicinity of the boat.**
- **The propeller blades are like knives and can cause considerable damage when rotating. Be careful!**
- **Do not attempt to remove fishing net or ropes from the propeller when the engine is in motion.**
- **Check that the propeller works in both forward and reverse before starting each trip.**
- **If any strange sounds or vibration are noticed coming from the propeller, stop the engine immediately and solve the problem.**
- **In case of problems in connection with the mounting, use or function of the propeller, contact Gori Propeller or the importer in your country.**

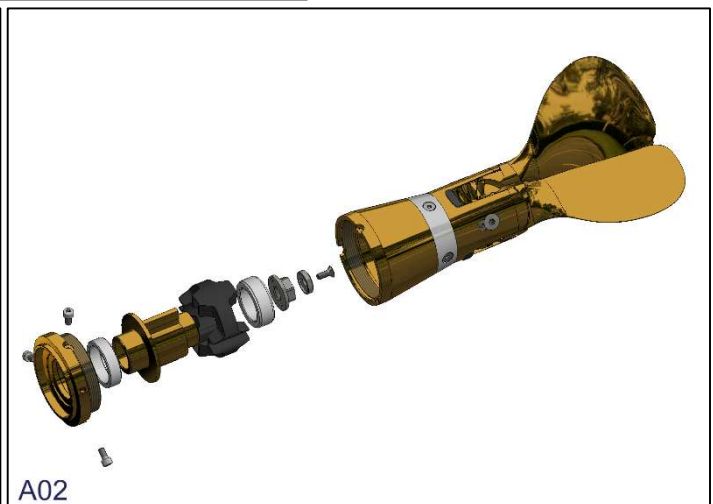
Mounting of a complete propeller for sail drive – (A).



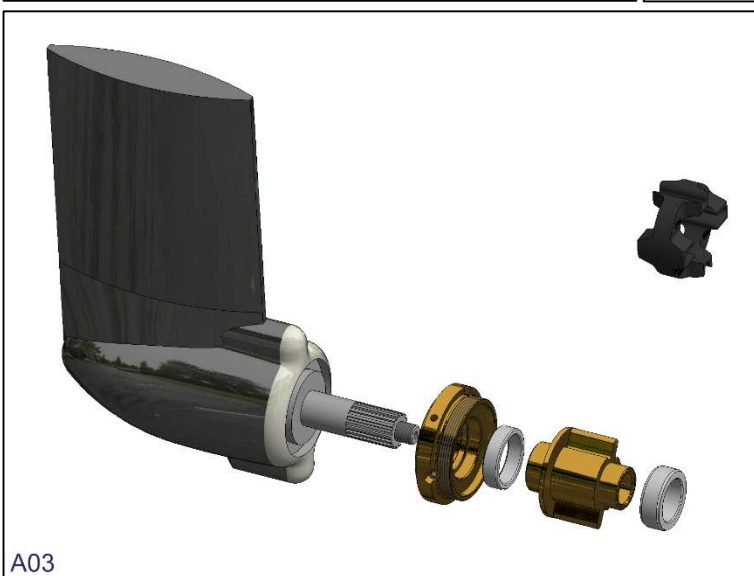
A00



A01



A02

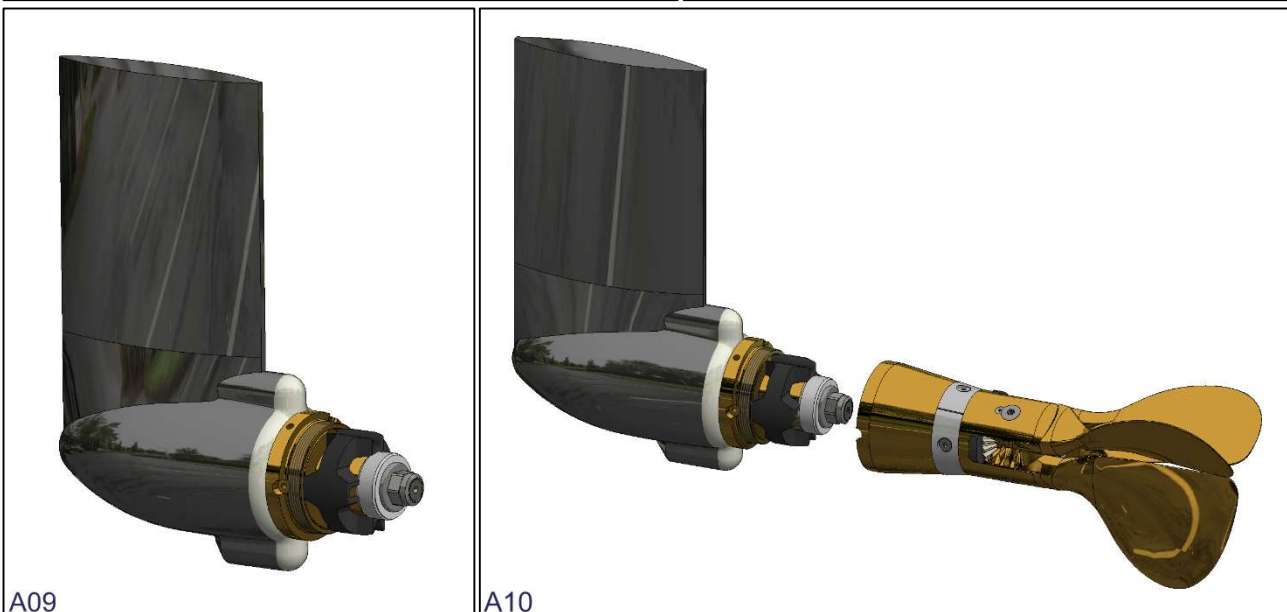
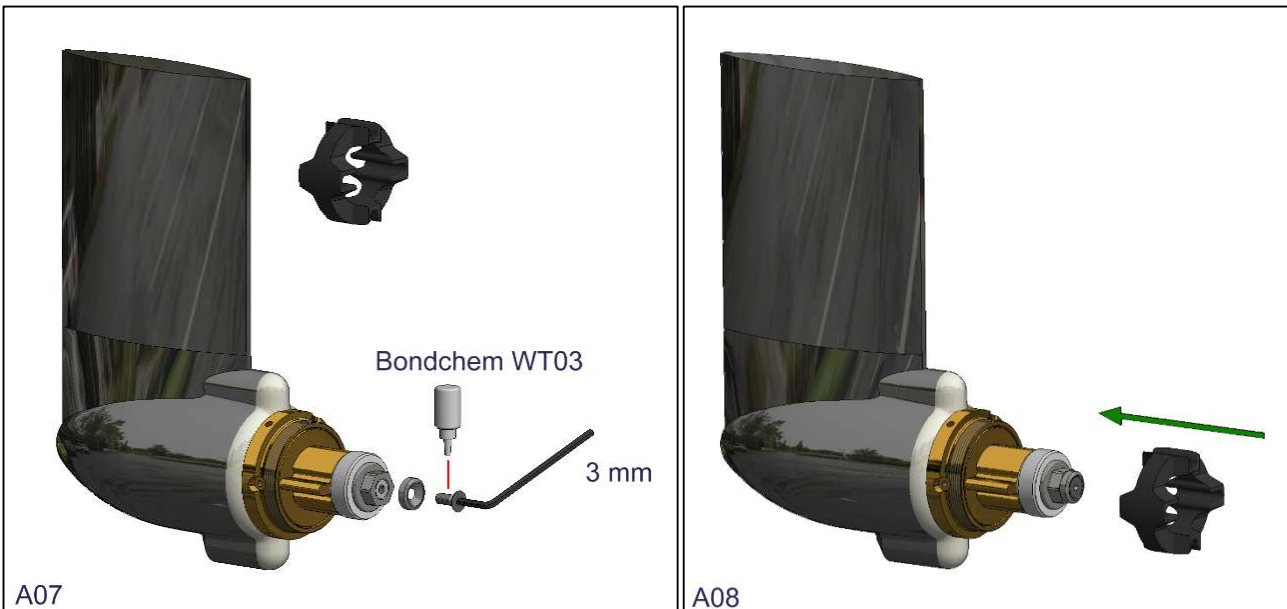
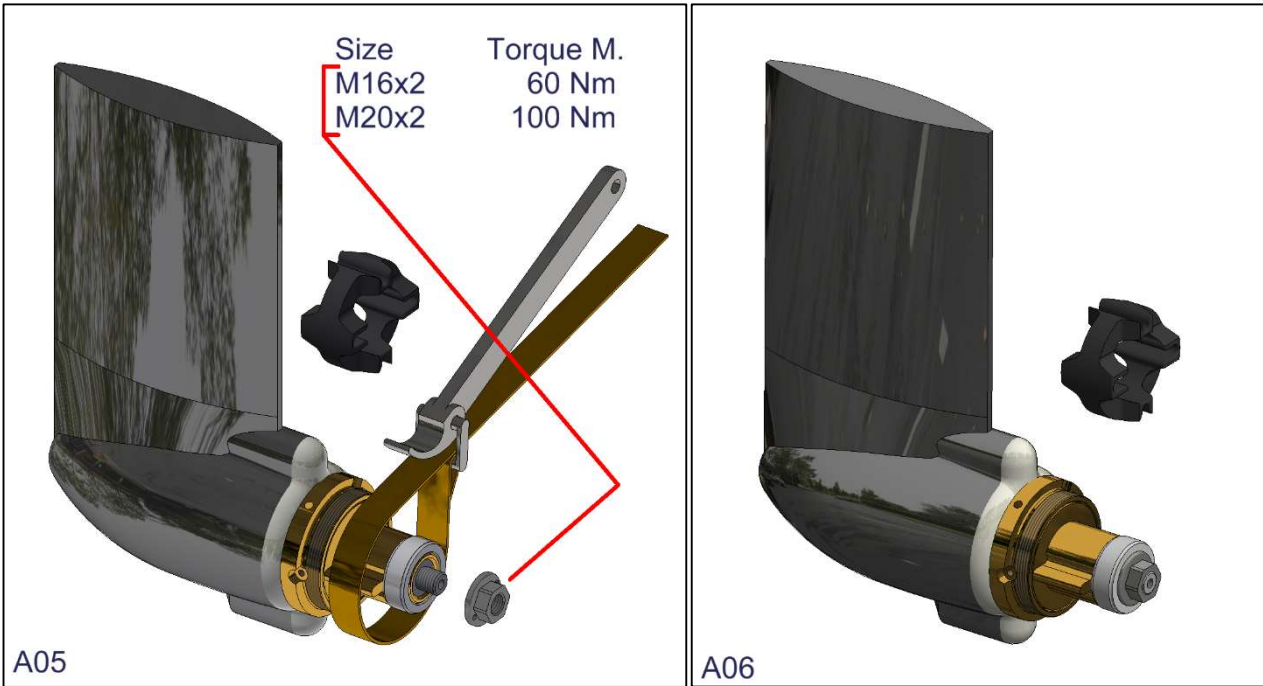


A03

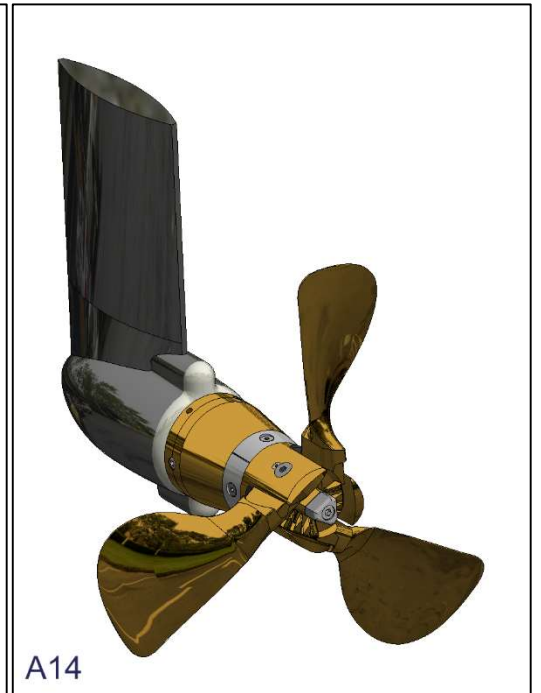
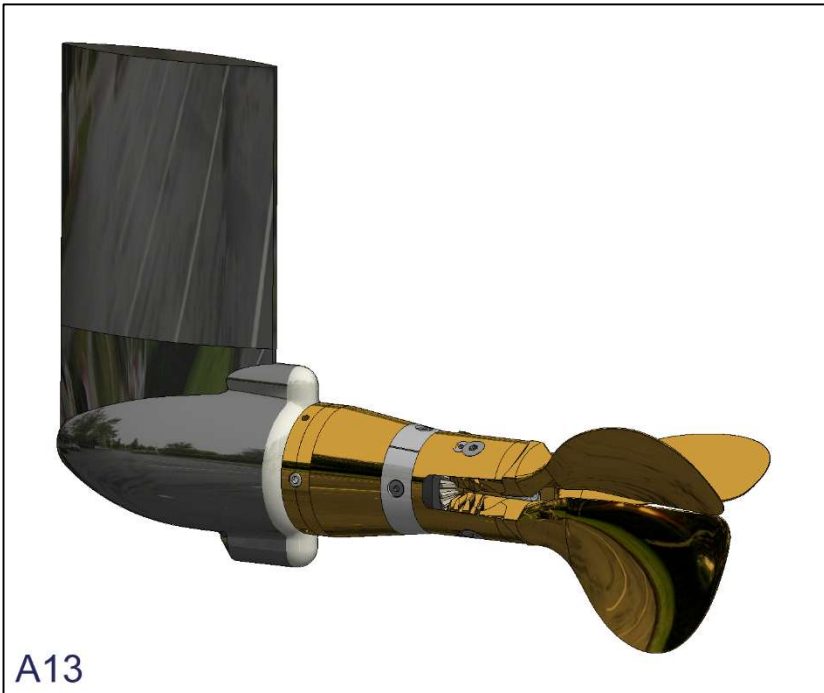
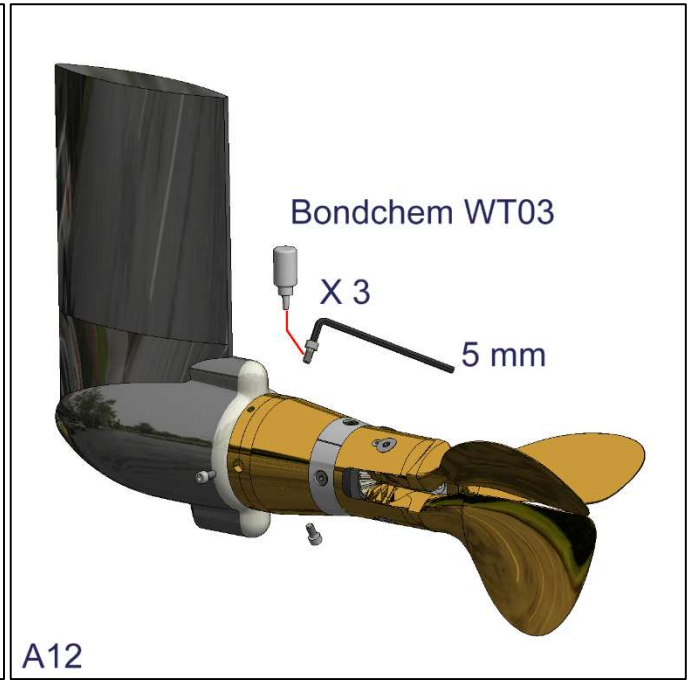
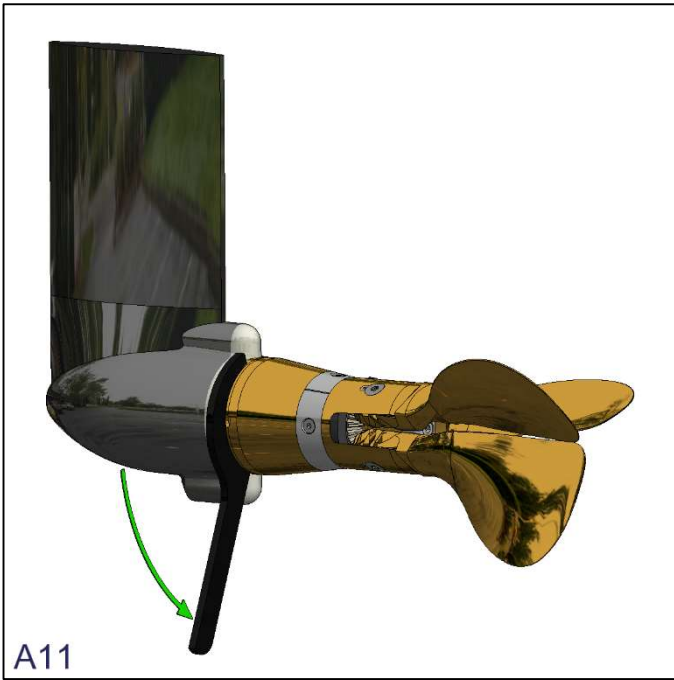


A04

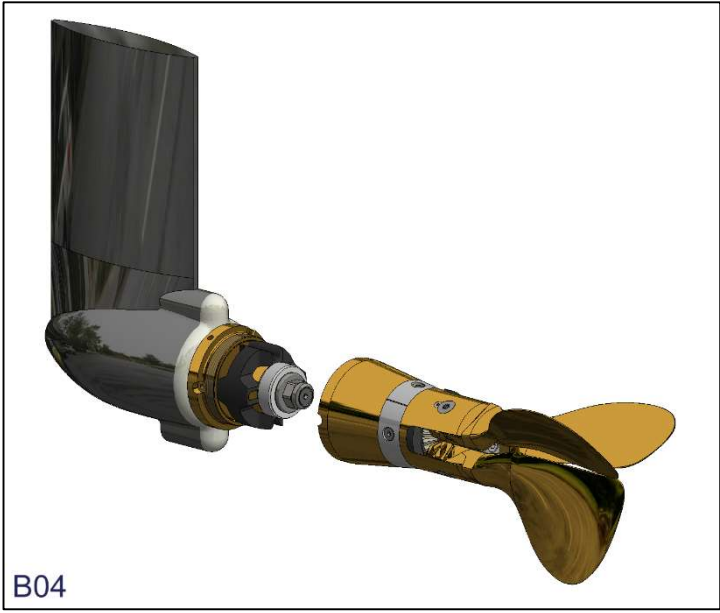
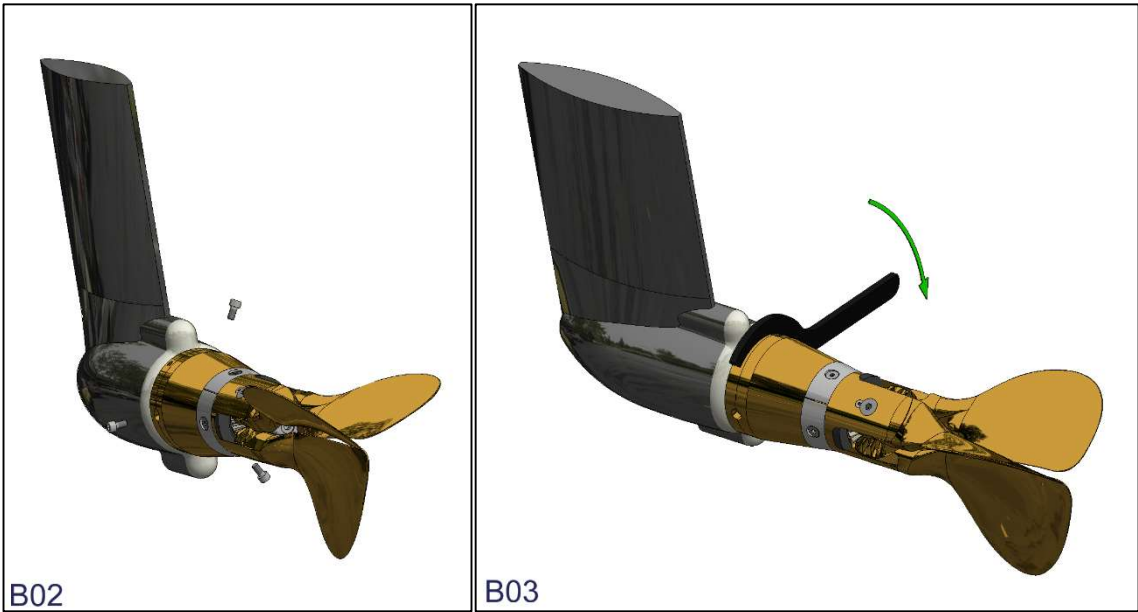
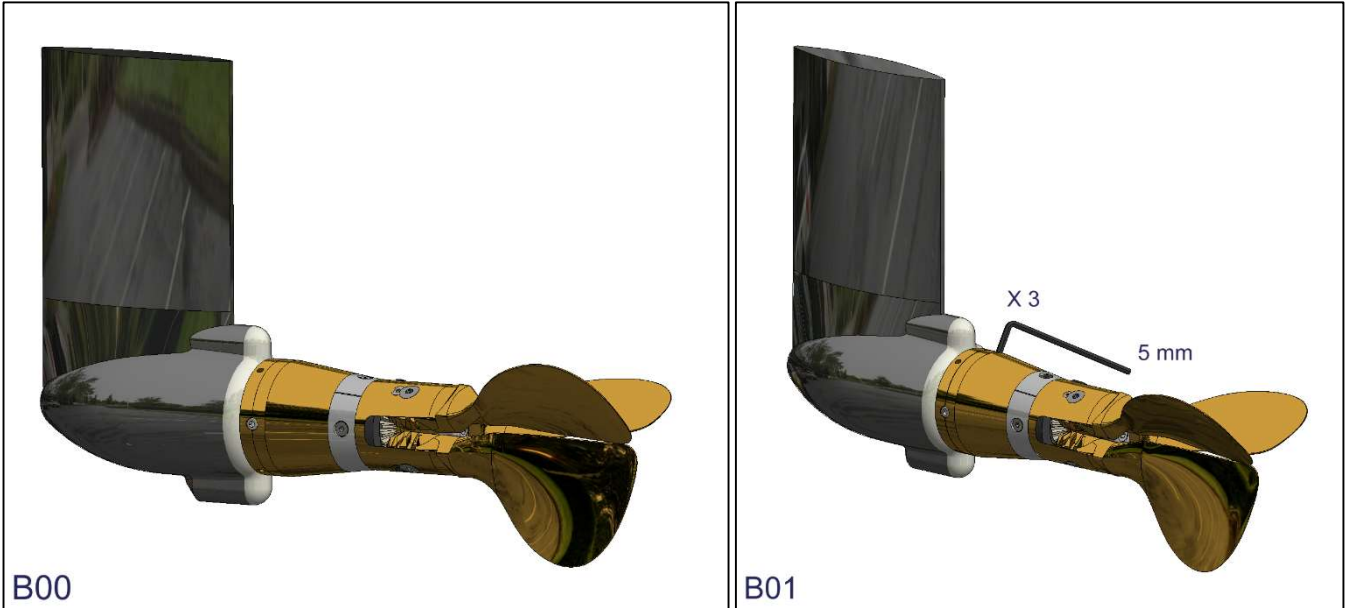
Mounting of a complete propeller for sail drive – (A).



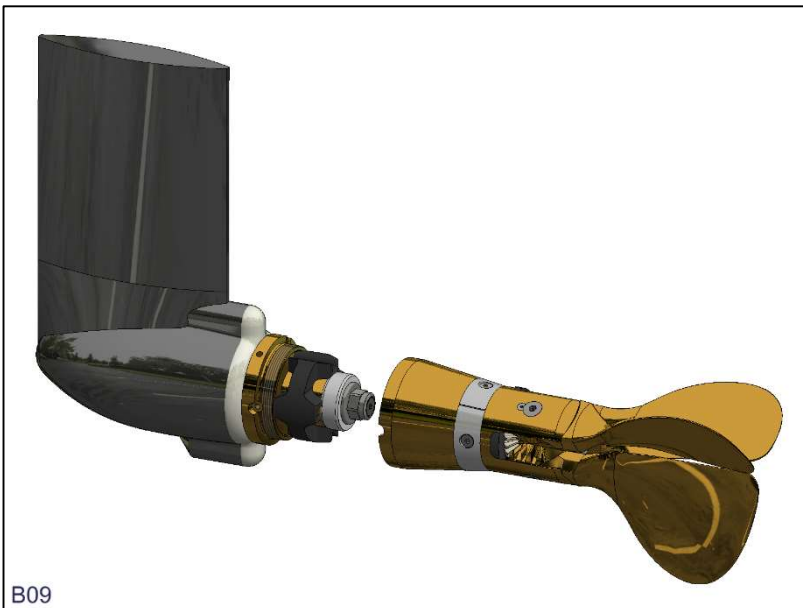
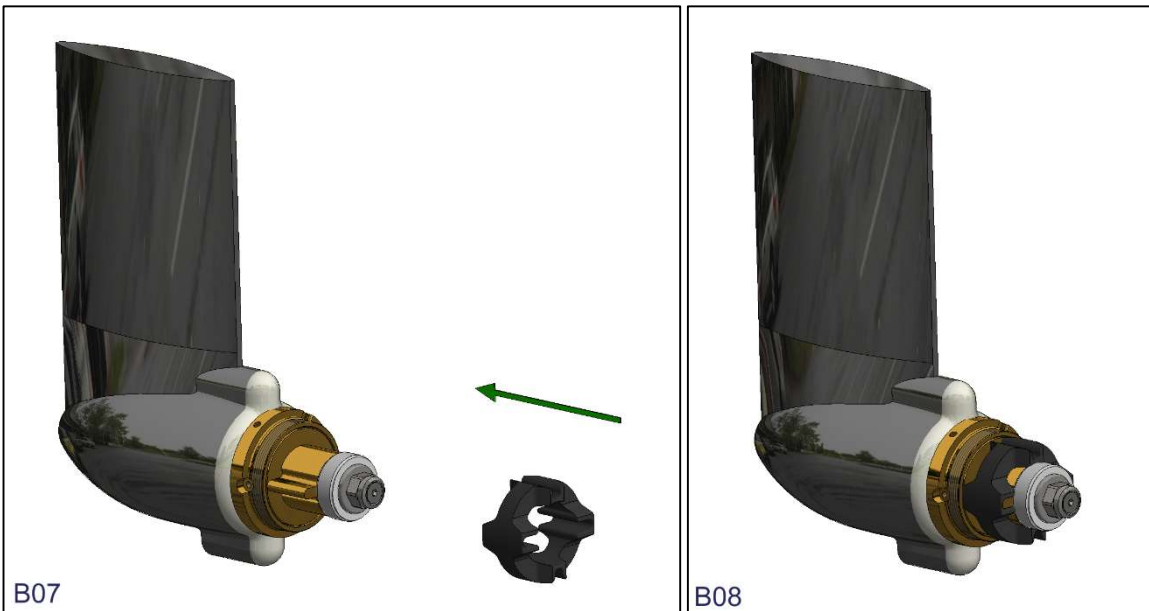
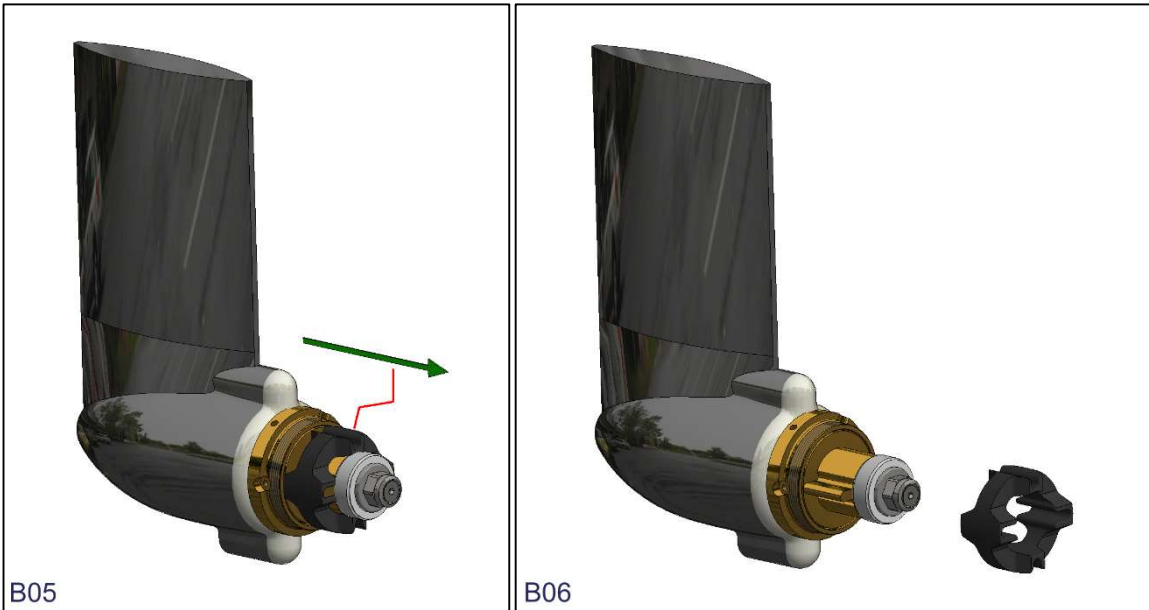
Mounting of a complete propeller for sail drive – (A).



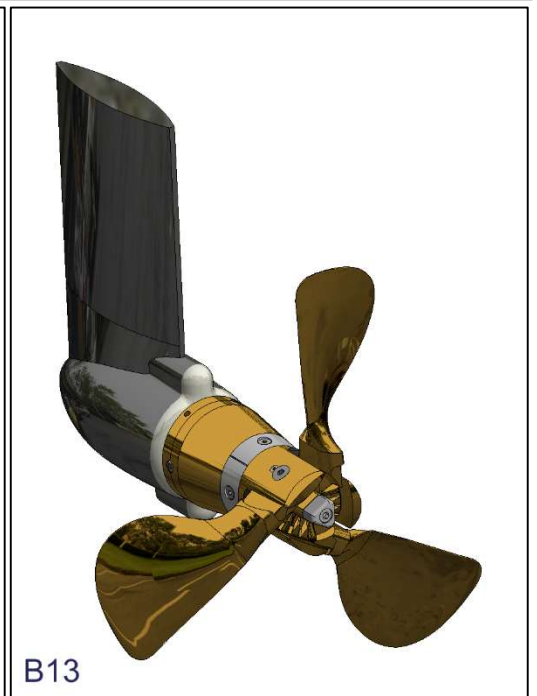
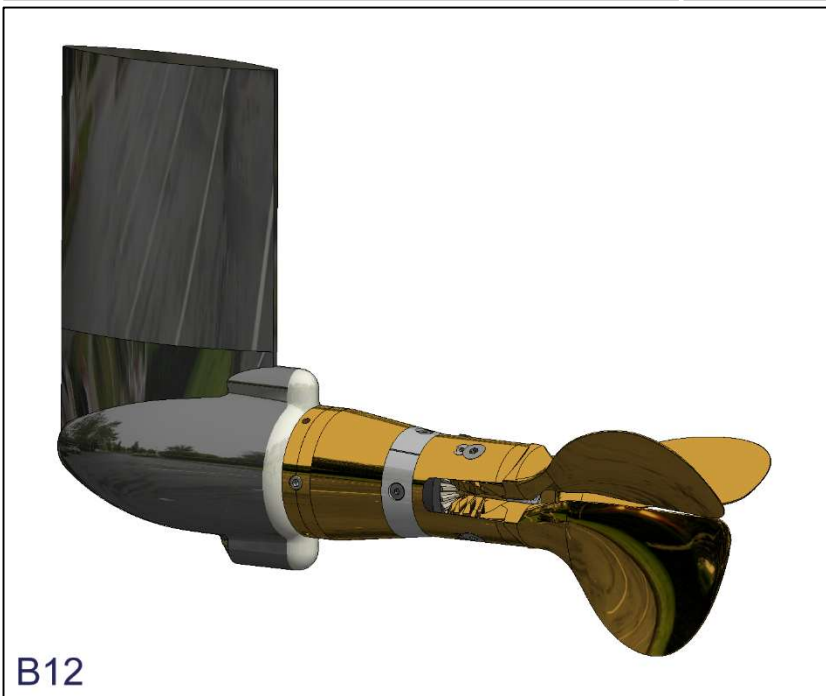
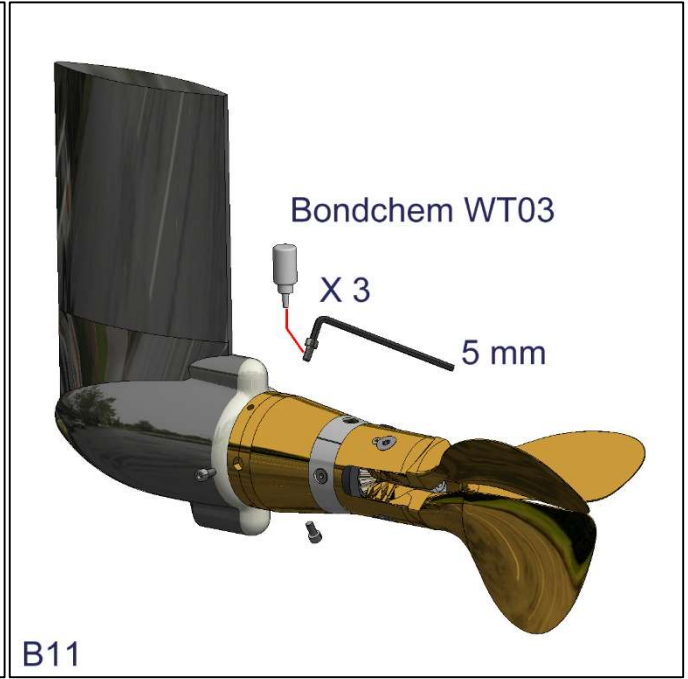
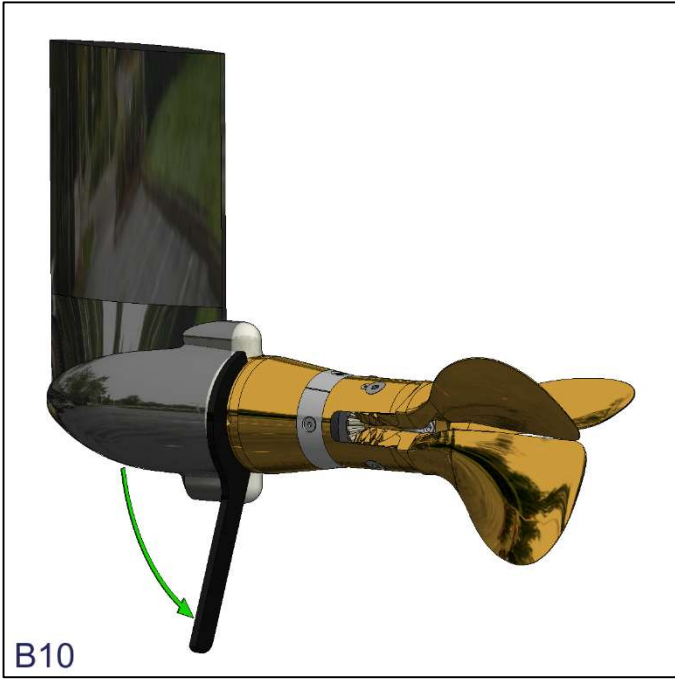
Exchange of "shock-torque absorber" – (B).



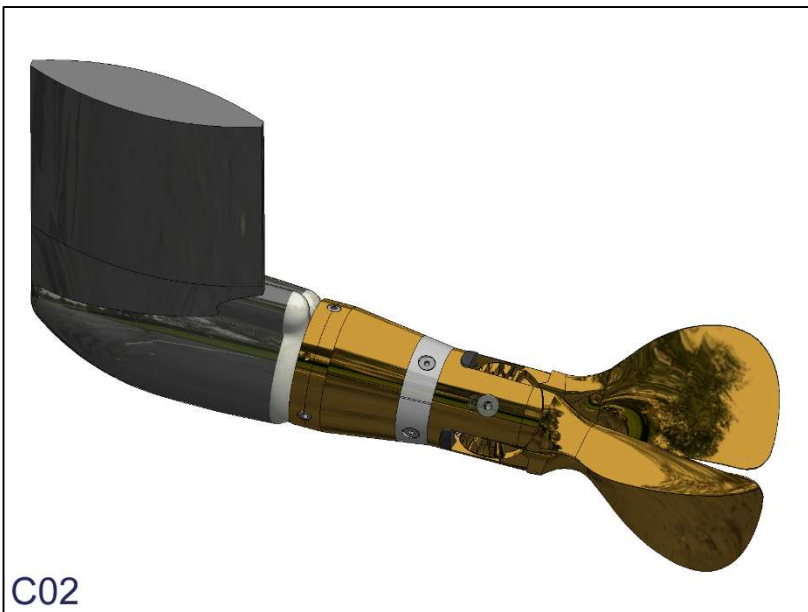
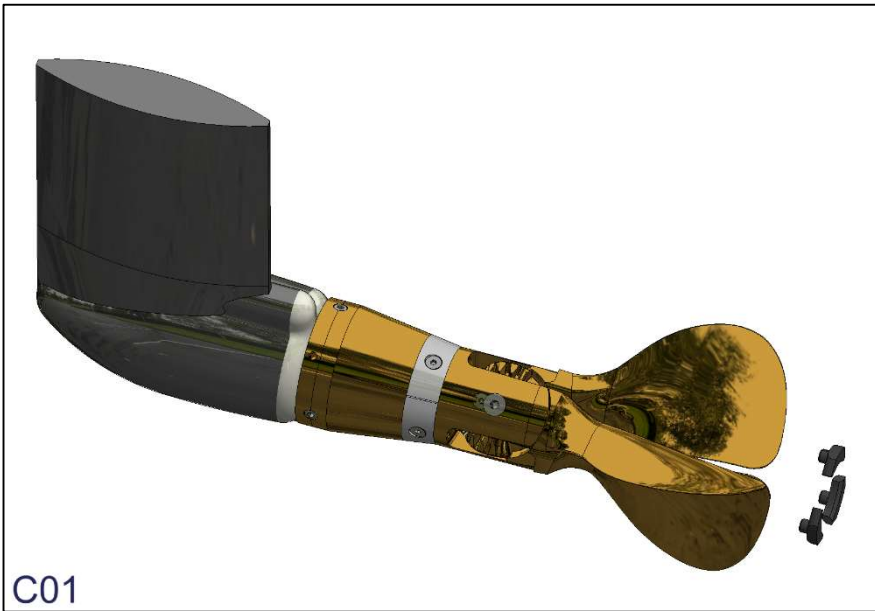
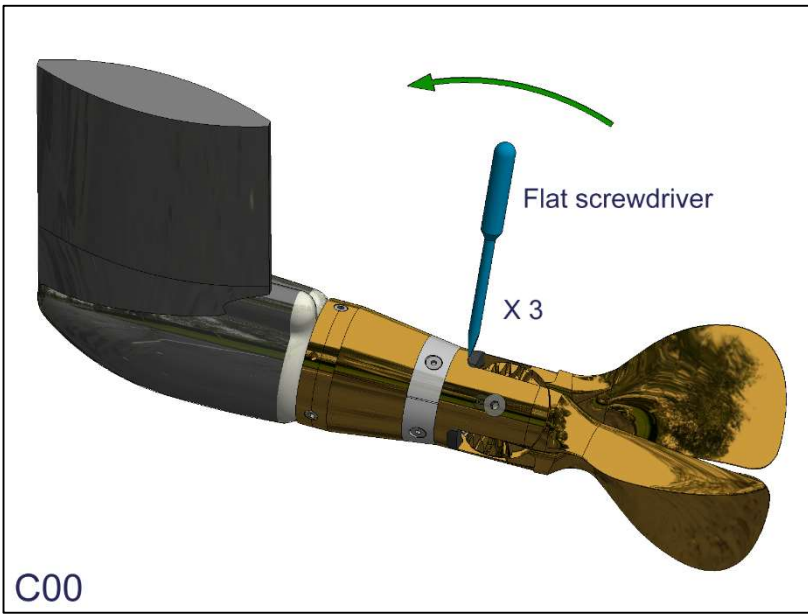
Exchange of "shock-torque absorber" – (B).



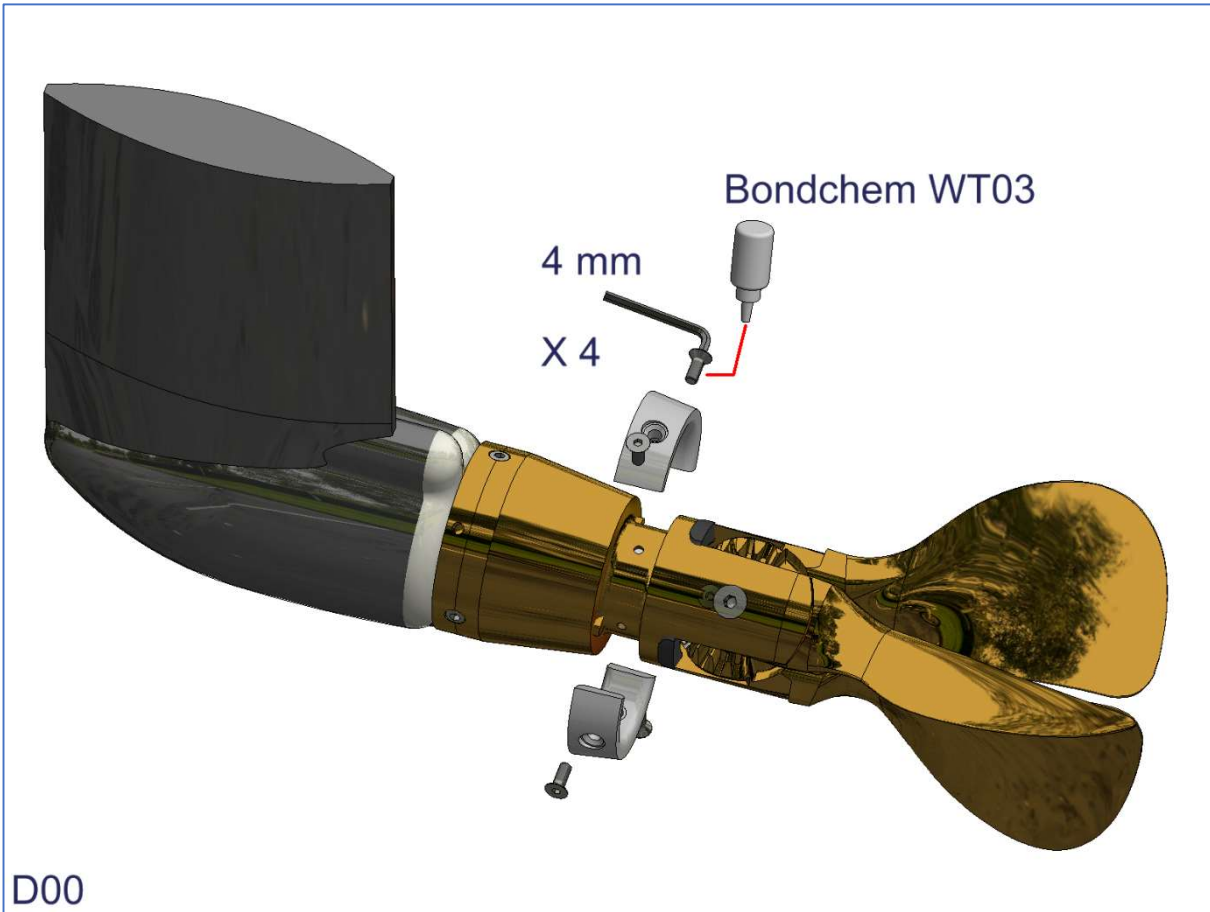
Exchange of “shock-torque absorber” – (B).



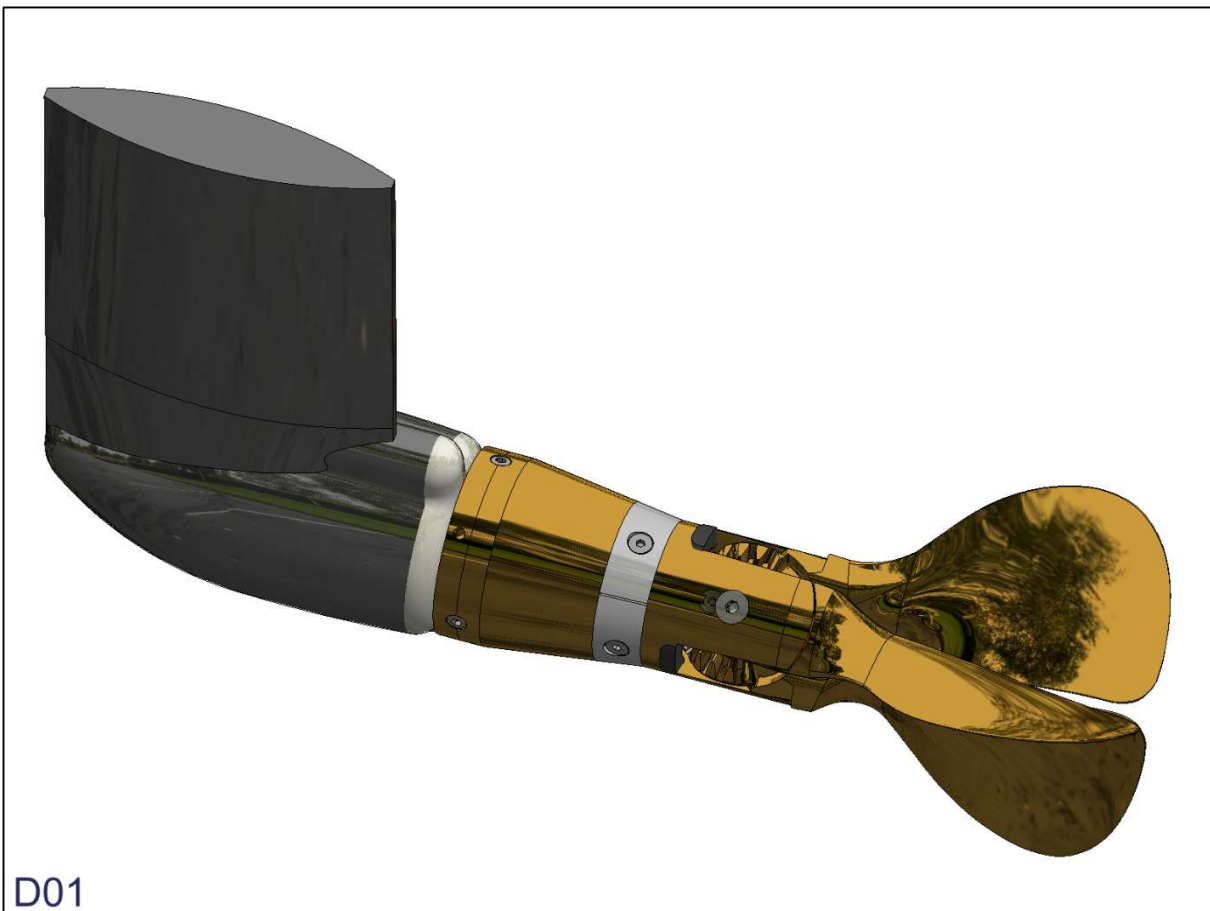
Exchange of “rubber blade stop” – (C).



Exchange of “zinc anodes” – (D).

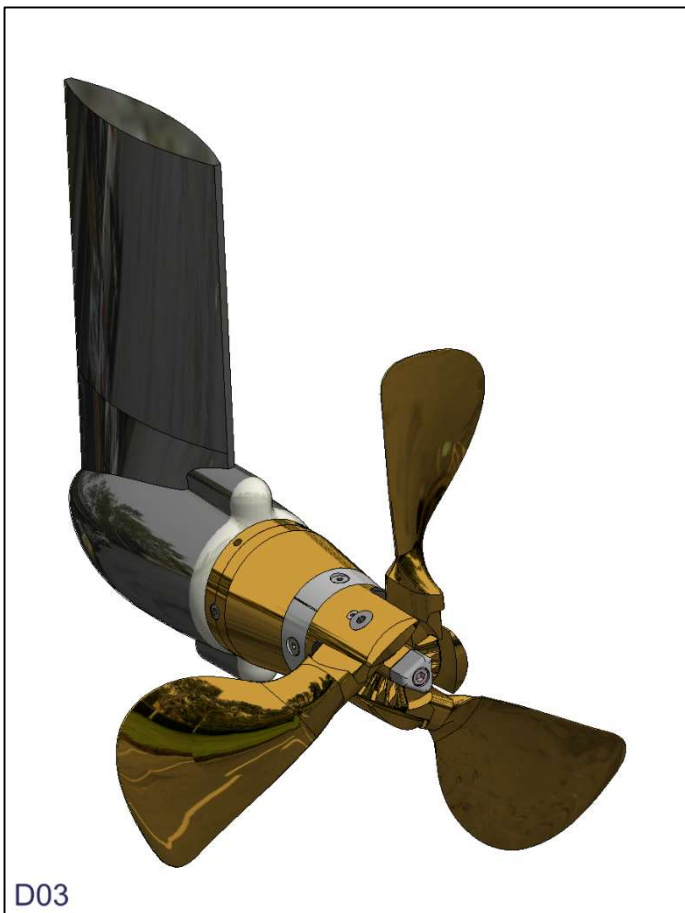
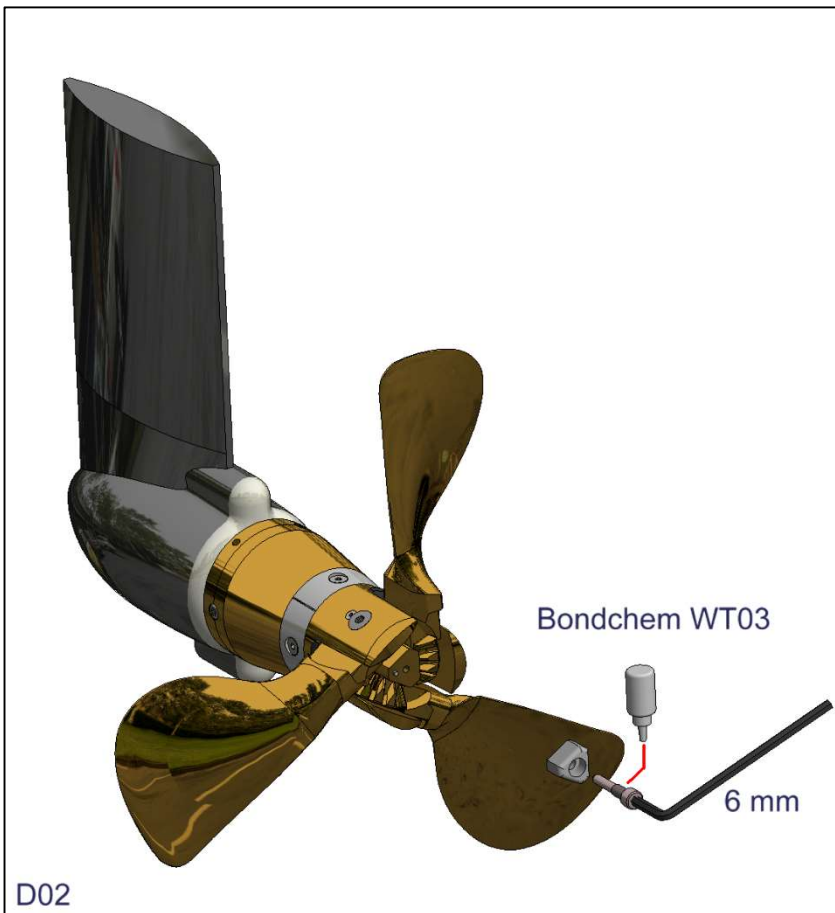


D00

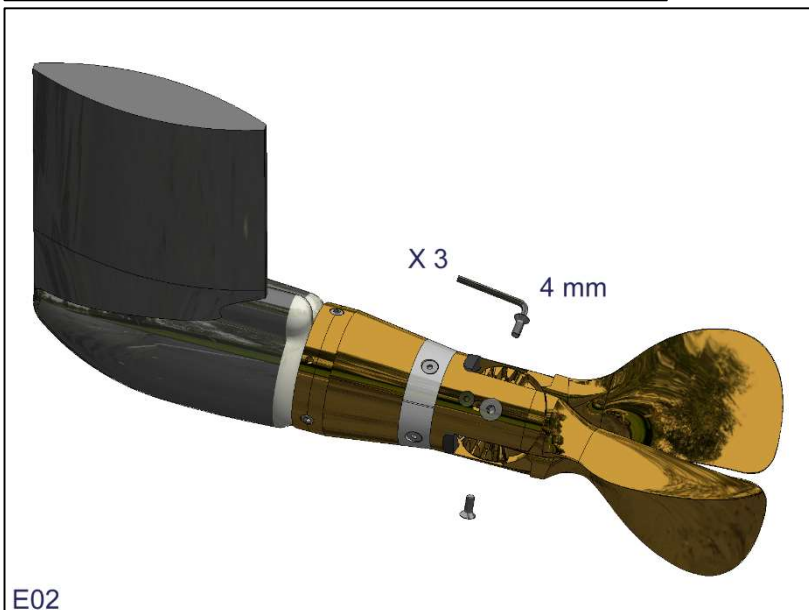
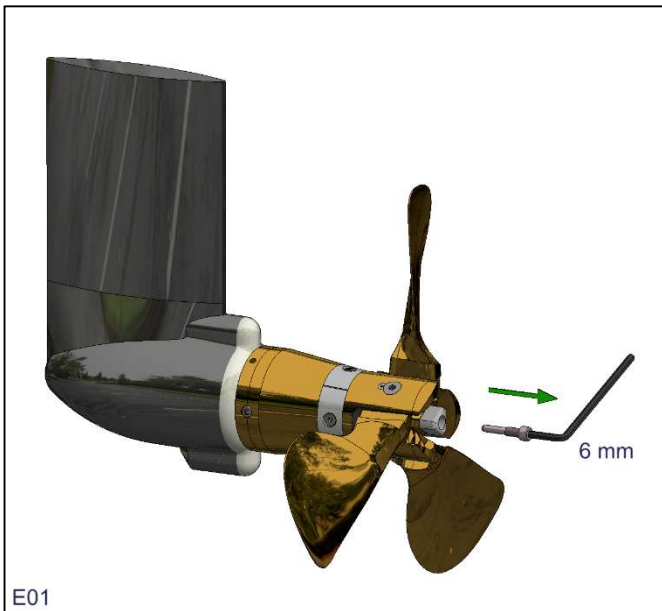


D01

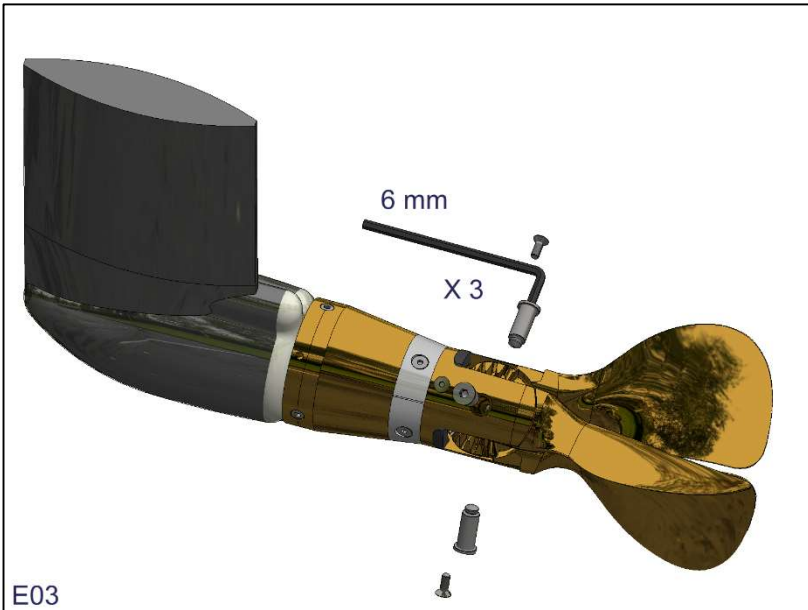
Exchange of “zinc anodes” – (D).



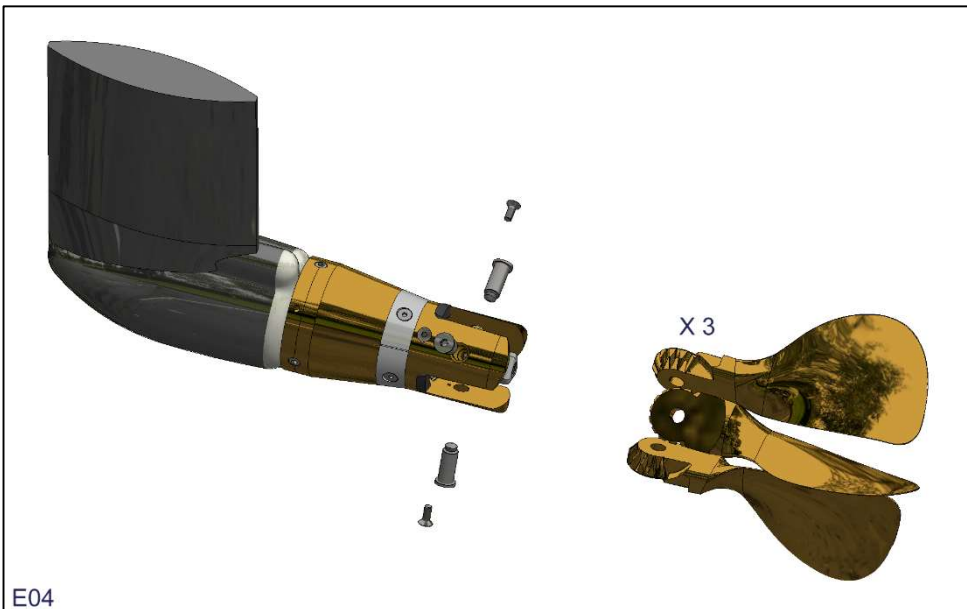
Cleaning of "Gearwheel" – (E).



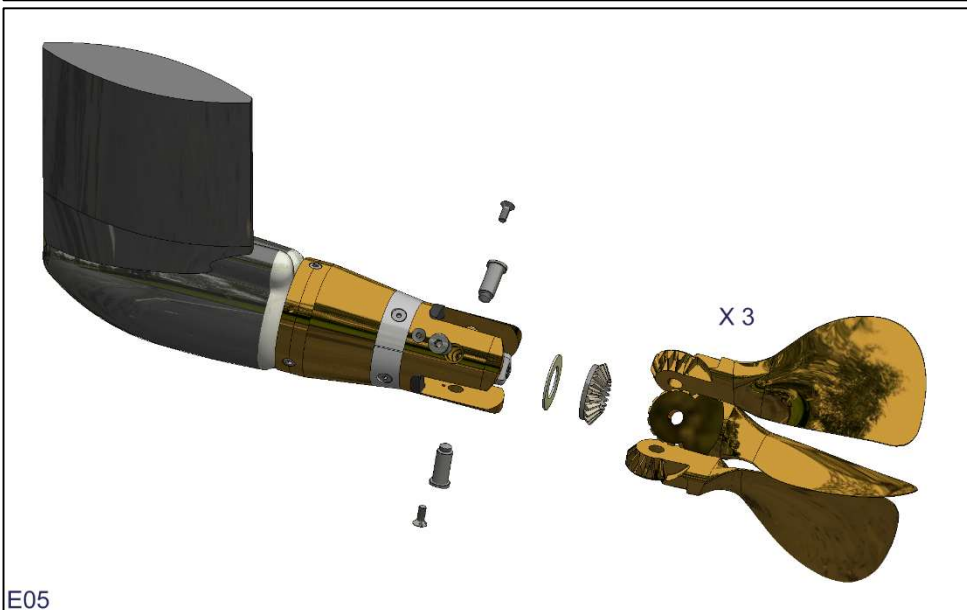
Cleaning of "Gearwheel" – (E).



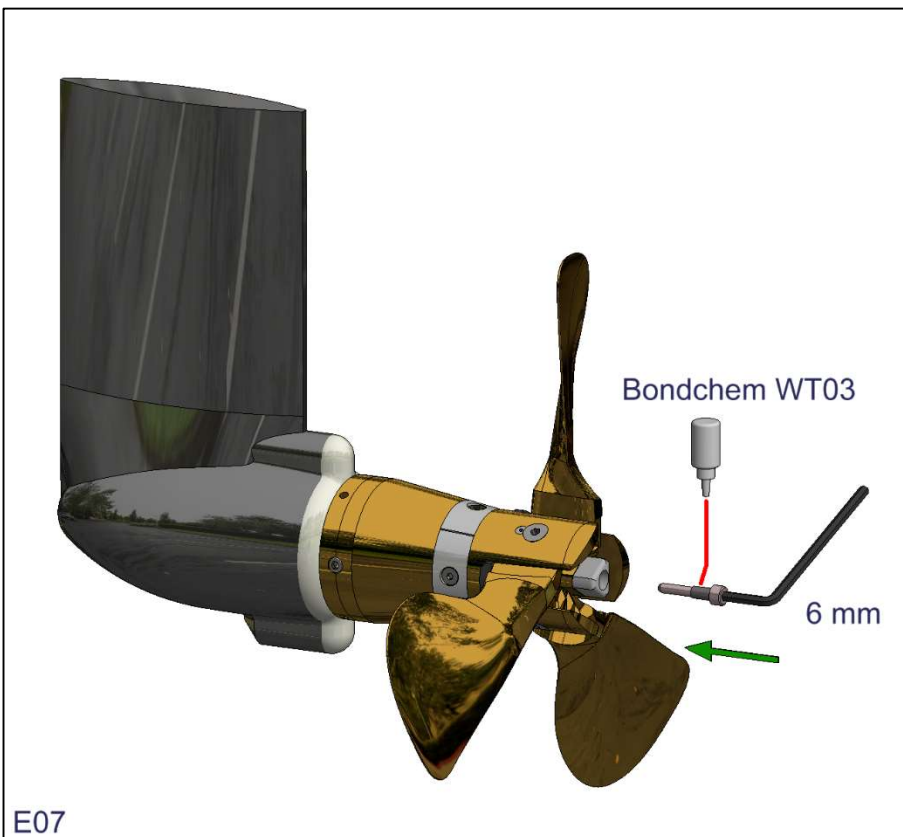
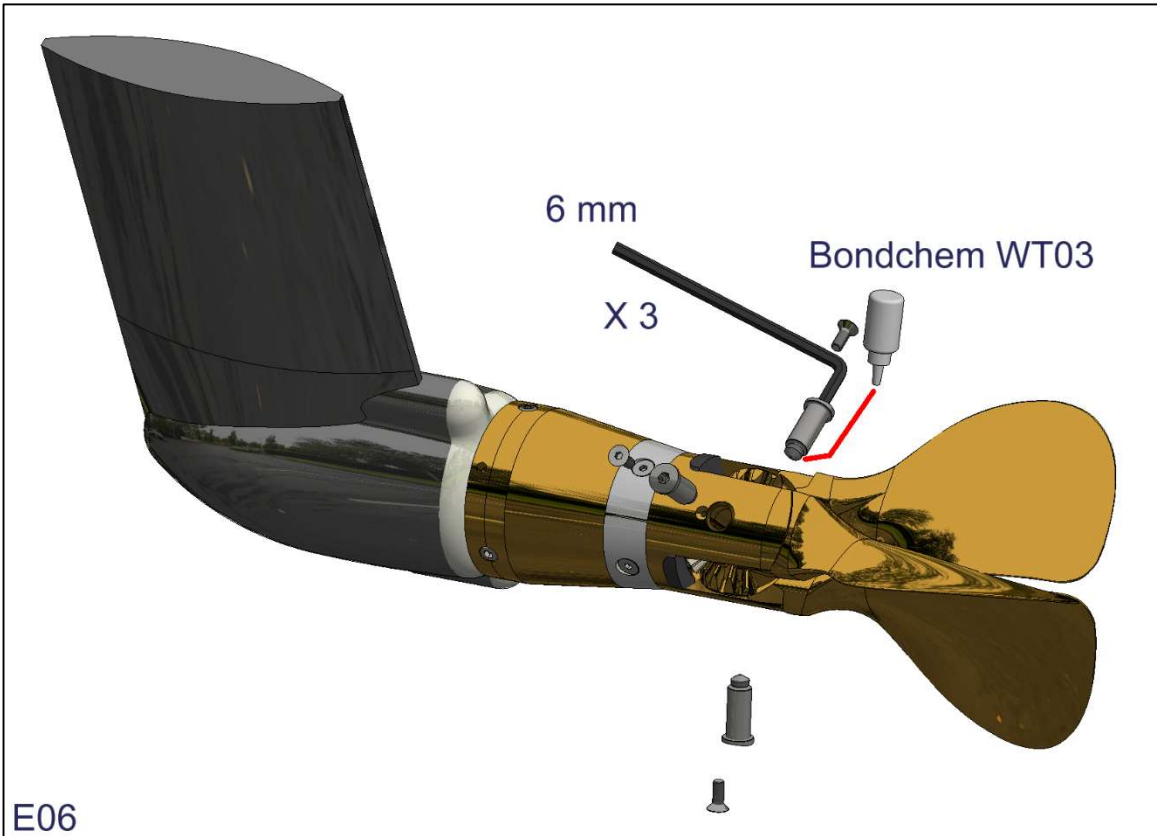
E03

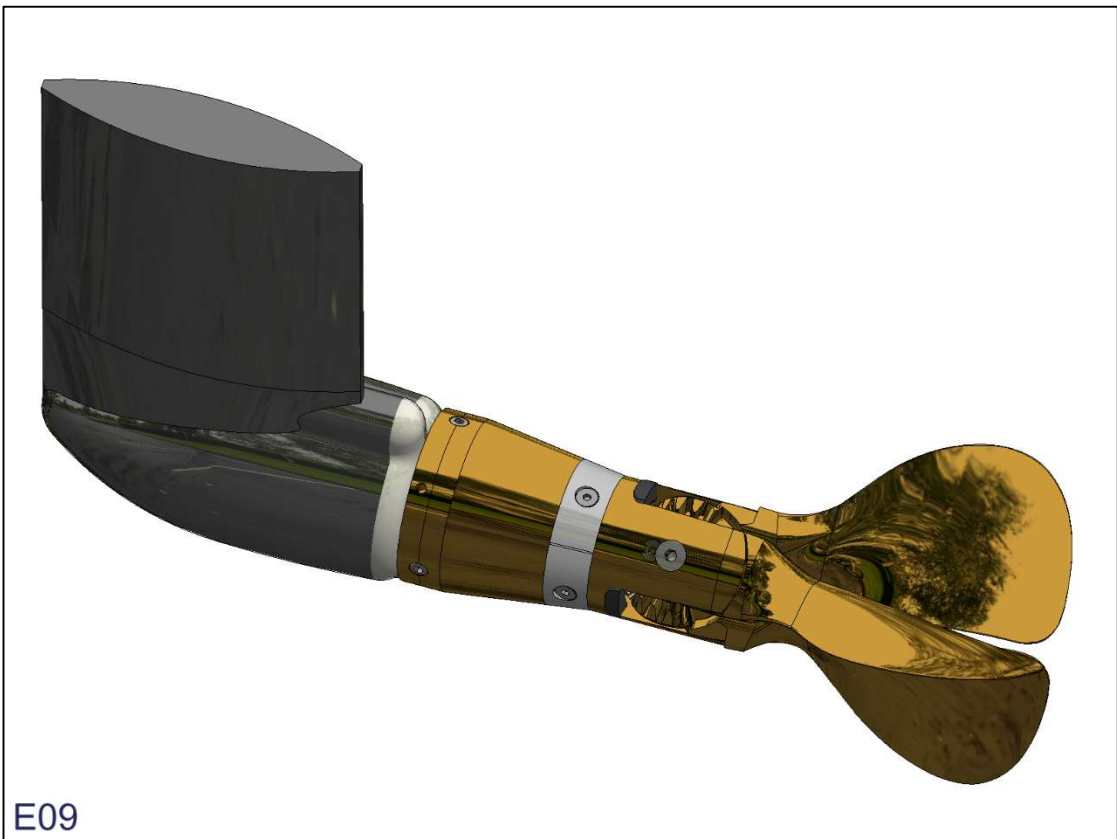
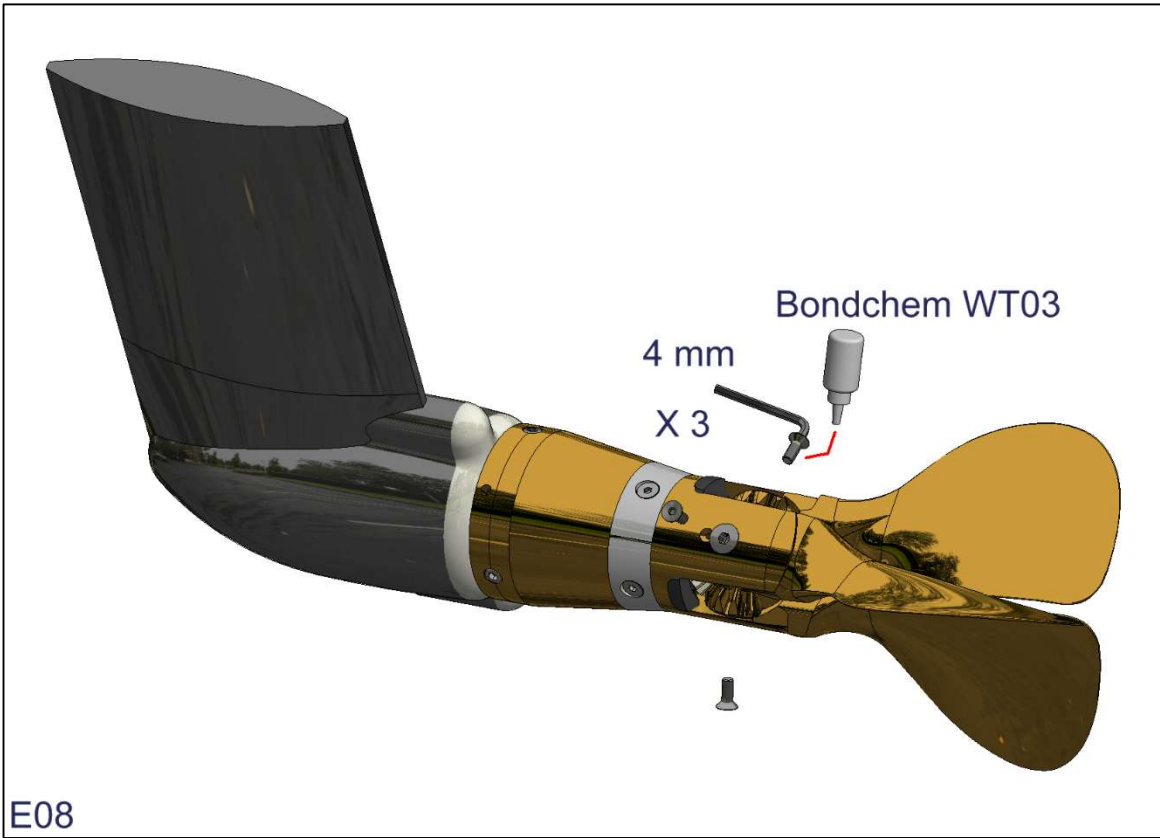


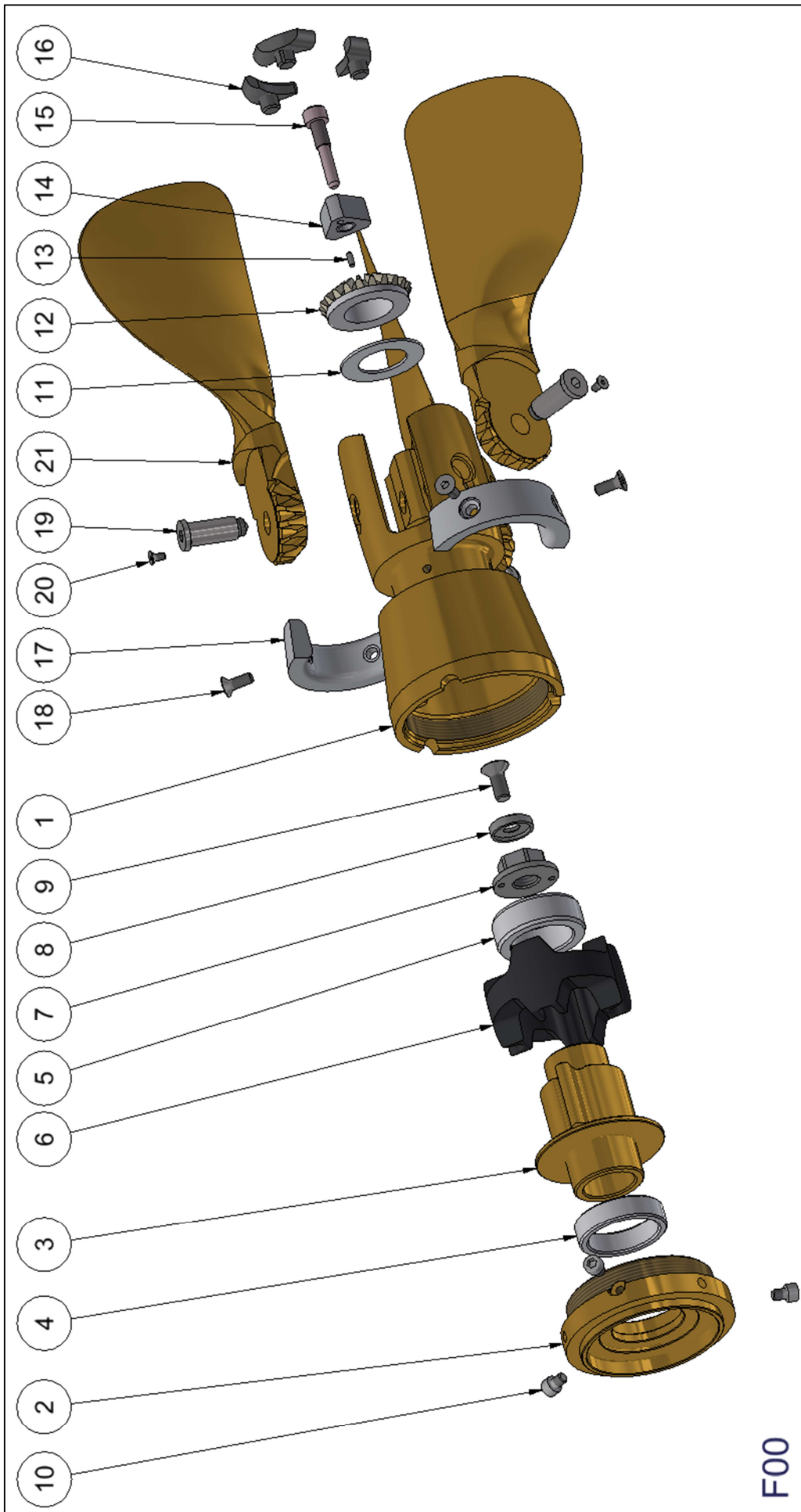
E04



E05







Service sets & Spare Parts List – (F).

Size: 15" - 16,5" Overdrive

Service set 1407210000

ITEM	DK	GB	DE	STOCK NUMBER	QTY
14	Zinkanode - top	Zinc anode	Zink anode	1504700000	1
15	Låsebolt for aksel - 75	Locking pin	Haltebolzen	1447000000	1
-	Gevindsikring	Threadlocking	Schraubensicherung	1410000000	1
-	Unbrakonøgle - 6 mm	Allen key - 6 mm	Inbusschlüssel - 6 mm	1402200000	1

Service set 1472100000

ITEM	DK	GB	DE	STOCK NUMBER	QTY
16	Gummistopper	Rubber stop	Gummianschläge	1439000000	3
14	Zinkanode - top	Zinc anode	Zink anode	1504700000	1
15	Låsebolt for aksel - 75	Locking pin	Haltebolzen	1447000000	1
-	Gevindsikring	Threadlocking	Schraubensicherung	1410000000	1
-	Unbrakonøgle - 6 mm	Allen key - 6 mm	Inbusschlüssel - 6 mm	1402200000	1

Service set 1407710000

ITEM	DK	GB	DE	STOCK NUMBER	QTY
16	Gummistopper	Rubber stop	Gummianschläge	1439000000	3

Service set 1552750000

ITEM	DK	GB	DE	STOCK NUMBER	QTY
17	Zinkanode - ring	Zinc ring anode	Zinkring anode	1510570000	2
18	Undersænket skrue M6x16 DIN 7991 A4	Flat Countersunk Head	Senkschraube	1179910616	4
-	Gevindsikring	Threadlocking	Schraubensicherung	1410000000	1
-	Unbrakonøgle - 4 mm	Allen key - 4 mm	Inbusschlüssel - 4 mm	1402000000	1

Service set 1441000012

ITEM	DK	GB	DE	STOCK NUMBER	QTY
7	Møtrik M16x2 incl 2 stk pinolskruer	Nut	Mutter	1441000018	1
9	Undersænket skrue M8x20 DIN 7991 A4	Flat Countersunk Head	Senkschraube	1179910820	1
8	Skive	Washer	Sheibe	4772120001	1
-	Gevindsikring	Threadlocking	Schraubensicherung	1410000000	1
-	Unbrakonøgle - 5 mm	Allen key - 5 mm	Inbusschlüssel - 5 mm	1402100000	1

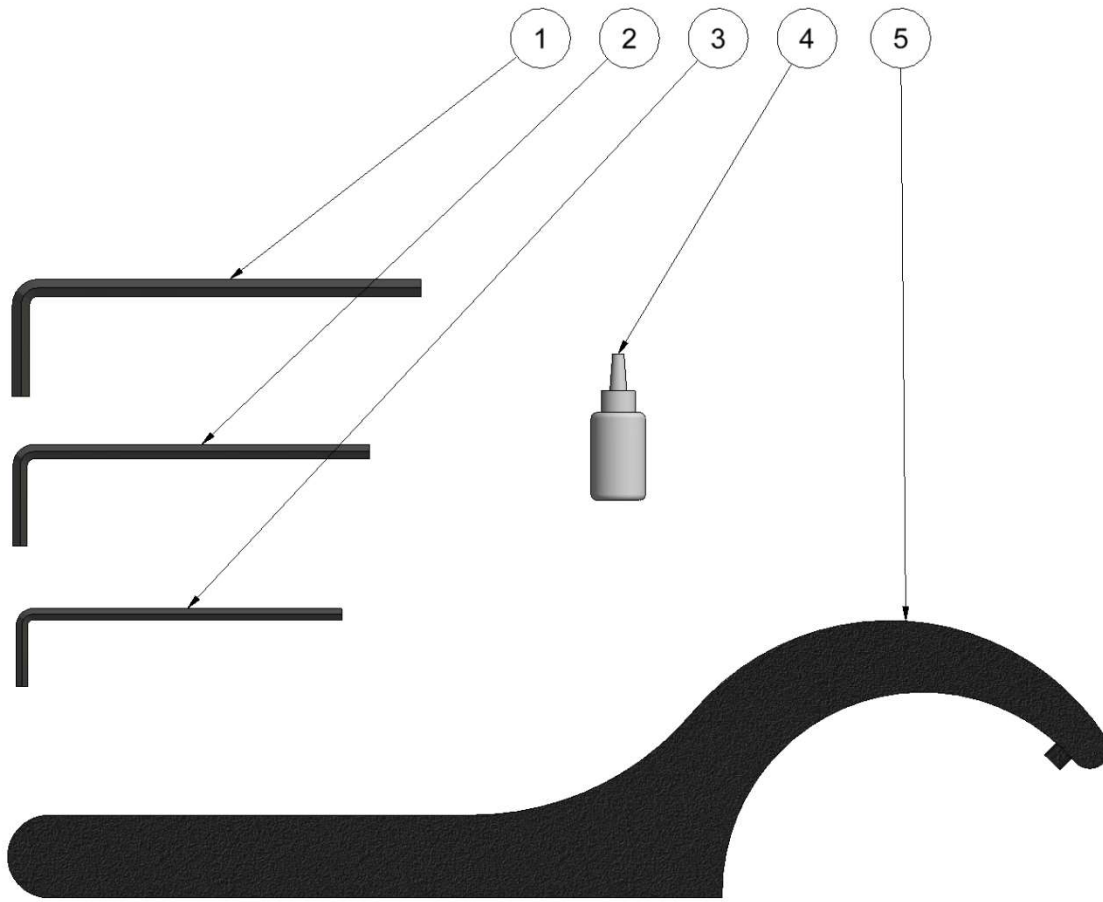
Service set 1441000013

ITEM	DK	GB	DE	STOCK NUMBER	QTY
7	Møtrik M20x2 incl 2 stk pinolskruer	Nut	Mutter	1441000019	1
9	Undersænket skrue M8x20 DIN 7991 A4	Flat Countersunk Head	Senkschraube	1179910820	1
8	Skive	Washer	Sheibe	4772120001	1
-	Gevindsikring	Threadlocking	Schraubensicherung	1410000000	1
-	Unbrakonøgle - 5 mm	Allen key - 5 mm	Inbusschlüssel - 5 mm	1402100000	1

Service sets & Spare Parts List – (F).

ITEM	DK	GB	DE	STOCK NUMBER	QTY
1	Ydernav	Blade housing	Nabenoberteil	3500000175	1
2	Omløber	Nut	Mutter	3300000175	1
3	Indernav	Inner hub	Nabeninnerteil	3400000175	1
4	Bøsning 2 til 3-bl. Sejldrev	Bushing	Buchse	1400440000	1
5	Bøsning 1 til 3-bl. Sejldrev	Bushing	Buchse	1400430000	1
6	Koblings buffer	Shock-torque absorber	Kupplungs Puffer	1400460000	1
7	Møtrik M16x2 incl 2 stk pinolskruer	Nut	Mutter	1441000018	1
7	Møtrik M20x2 incl 2 stk pinolskruer	Nut	Mutter	1441000019	1
8	Skive	Washer	Sheibe	4772120001	1
9	Undersænket skrue M8x20 DIN 7991 A4	Flat Countersunk Head	Senkschraube	1179910820	1
10	Unbrako Skrue M6x8 DIN 912 A4	Hex Socket Head Screw	Zylinderschraube mit Innensechskant	1406800000	3
11	Afstandsskive	Spacer	Abstandshalter	1404010000	1
12	Tandhjul	Gear-wheel	Zahnrad	1433000000	1
13	Cylinderstift ø3x8 A4 ISO2338	Parallel Pin	Zylinderstift	1406600000	1
14	Zinkanode - top	Zinc anode	Zink anode	1504700000	1
15	Låsebolt for aksel - 75	Locking pin	Haltebolzen	1447000000	1
16	Gummistopper	Rubber stop	Gummianschläge	1439000000	3
17	Zinkanode - ring	Zinc ring anode	Zinkring anode	1510570000	2
18	Undersænket skrue M6x16 DIN 7991 A4	Flat Countersunk Head	Senkschraube	1179910616	4
19	Aksel til propelblade	Blade pins	Führungsbolzen	1505000000	3
20	Undersænket skrue M4x8 DIN 7991 A4	Flat Countersunk Head	Senkschraube	1179910408	3
21	Propellerblade / 15" x 9" LH	Propeller blades / 15" x 9" LH	Propellerblätter / 15" x 9" LH	3115009002	3
21	Propellerblade / 15" x 10" LH	Propeller blades / 15" x 10" LH	Propellerblätter / 15" x 10" LH	3115010002	3
21	Propellerblade / 15" x 11" LH	Propeller blades / 15" x 11" LH	Propellerblätter / 15" x 11" LH	3115011002	3
21	Propellerblade / 15" x 12" LH	Propeller blades / 15" x 12" LH	Propellerblätter / 15" x 12" LH	3115012002	3
21	Propellerblade / 15" x 9" RH	Propeller blades / 15" x 9" RH	Propellerblätter / 15" x 9" RH	3115009001	3
21	Propellerblade / 15" x 10" RH	Propeller blades / 15" x 10" RH	Propellerblätter / 15" x 10" RH	3115010001	3
21	Propellerblade / 15" x 11" RH	Propeller blades / 15" x 11" RH	Propellerblätter / 15" x 11" RH	3115011001	3
21	Propellerblade / 15" x 12" RH	Propeller blades / 15" x 12" RH	Propellerblätter / 15" x 12" RH	3115012001	3
21	Propellerblade / 16,5" x 10" LH	Propeller blades / 16,5" x 10" LH	Propellerblätter / 16,5" x 10" LH	3116510002	3
21	Propellerblade / 16,5" x 11" LH	Propeller blades / 16,5" x 11" LH	Propellerblätter / 16,5" x 11" LH	3116511002	3
21	Propellerblade / 16,5" x 12" LH	Propeller blades / 16,5" x 12" LH	Propellerblätter / 16,5" x 12" LH	3116512002	3
21	Propellerblade / 16,5" x 13" LH	Propeller blades / 16,5" x 13" LH	Propellerblätter / 16,5" x 13" LH	3116513002	3
21	Propellerblade / 16,5" x 14" LH	Propeller blades / 16,5" x 14" LH	Propellerblätter / 16,5" x 14" LH	3116514002	3
21	Propellerblade / 16,5" x 10" RH	Propeller blades / 16,5" x 10" RH	Propellerblätter / 16,5" x 10" RH	3116510001	3
21	Propellerblade / 16,5" x 11" RH	Propeller blades / 16,5" x 11" RH	Propellerblätter / 16,5" x 11" RH	3116511001	3
21	Propellerblade / 16,5" x 12" RH	Propeller blades / 16,5" x 12" RH	Propellerblätter / 16,5" x 12" RH	3116512001	3
21	Propellerblade / 16,5" x 13" RH	Propeller blades / 16,5" x 13" RH	Propellerblätter / 16,5" x 13" RH	3116513001	3
21	Propellerblade / 16,5" x 14" RH	Propeller blades / 16,5" x 14" RH	Propellerblätter / 16,5" x 14" RH	3116514001	3

Supplied Tools – (G)



15" – 16,5"

ITEM	DK	GB	DE	STOCK NUMBER
1	Unbrakonøgle - 6 mm	Allen key - 6 mm	Inbusschlüssel - 6 mm	1402200000
2	Unbrakonøgle - 5 mm	Allen key - 5 mm	Inbusschlüssel - 5 mm	1402100000
3	Unbrakonøgle - 4 mm	Allen key - 4 mm	Inbusschlüssel - 4 mm	1402000000
4	Gevindsikring	Threadlocking	Schraubensicherung	1410000000
5	Hagenøgle	C-Spanner	Hagenschlüssel	1406700000

23052023

Gori propeller AS

Fjordagervej 34-36

DK-6100 Haderslev

www.gori-propeller.dk