



Propeller 2-blade for sail drive

- A) Mounting of a complete propeller for sail drive
- B) Dismount of a complete propeller for sail drive
- C) Exchange of "zinc anodes"
- D) Spare Parts List

DK

Læs instruktionen før der arbejdes med propellen.

Vigtigt!

Udskift zink hvis de er korroderet mere end 50%.

Advarsel!

Pas på skarpe kanter.

GB

Read the Instructions before any work on the propeller.

Important!

Replace Zinc if eroded more than 50%.

Warning!

Beware of sharp edges.

D

Bitte die Anweisung lesen, bevor Sie mit dem Propeller arbeiten.

Wichtig!

Zinkteile auswechseln, wenn sie mehr als 50% korrodiert sind.

Warnung!

Achten Sie auf die scharfe Kanten.

F

Lire les instructions avant toute intervention sur l'hélice

Important!

Remplacer l'anode zinc si elle est corrodé à plus de 50%

Attention!

Attention aux bords coupants

IT

Leggere attentamente le Istruzioni prima di qualsiasi operazione sull'elica.

Importante!

Sostituire l'anodo di zinco se usurato più del 50%

Avvertenza!

Prestare attenzione alle parti taglienti

ESP

Lea las instrucciones antes de efectuar cualquier trabajo en la hélice.

¡ Importante !

Reemplazar el ánodo si observa mas de un 50 % de corrosión.

¡ Advertencia !

Tenga cuidado con las esquinas afiladas.

OPERATING INSTRUCTIONS 2-blade Gori Folding Propeller

CONGRATULATIONS on choosing the 2-blade Gori Folding Propeller.

Under sail

When sailing under sail the blades usually fold, however, you should put the lever in reverse if the engine is not turned on. This will lock the shaft and ensure that the propeller folds and does not spin.

Ahead

When moving from neutral lever position, with folded blades, to forward lever position under power the propeller will automatically open due to shaft rotation.

Astern

When boat is moving ahead with neutral lever position and folded blades, and reverse lever position then is engaged under power, the propeller will automatically open due to shaft rotation and create a stop.

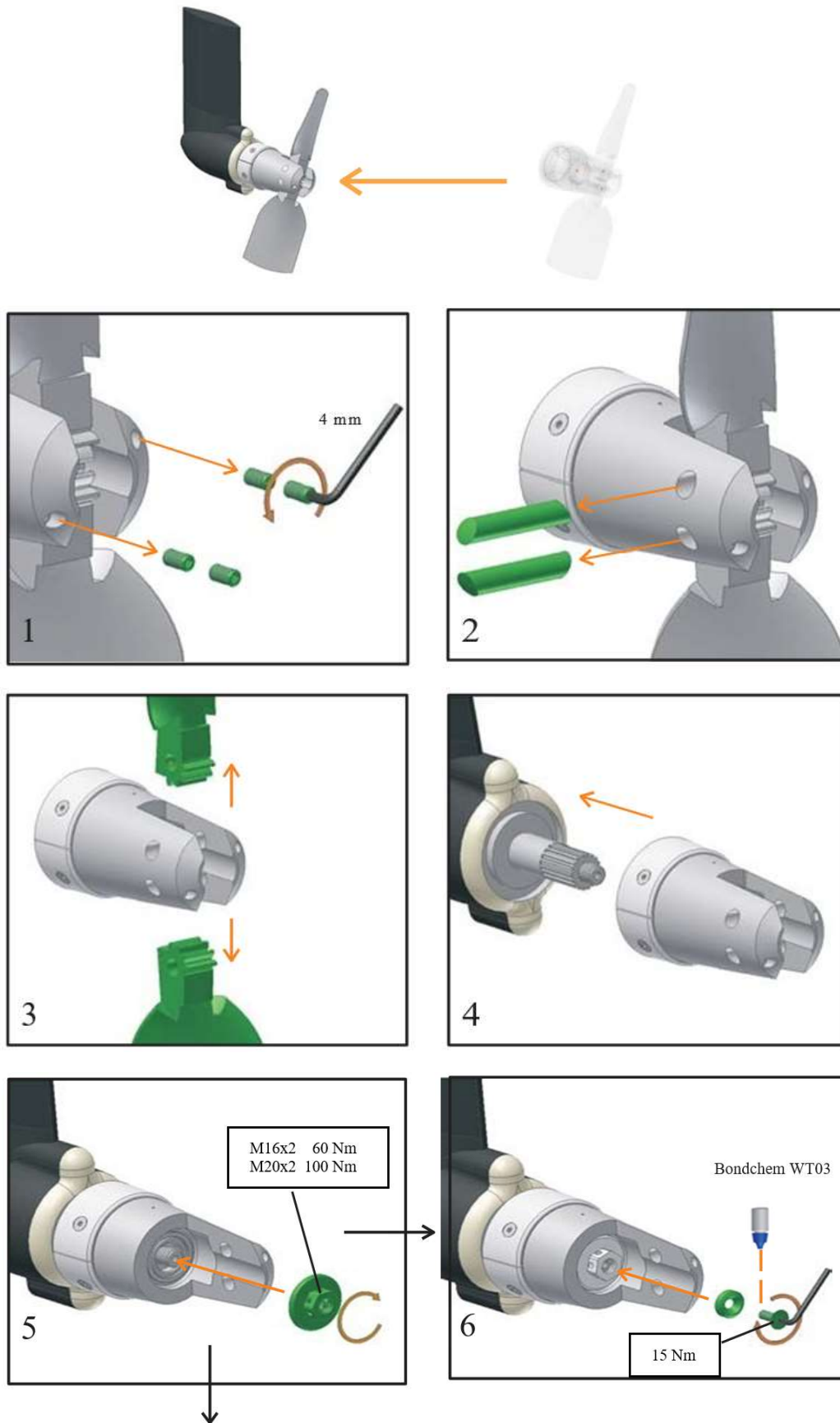
Before going sailing, check that the propeller works in both forward and reverse.

If the boat has not been used for some time, you should shift cautiously between forward and reverse a few times before sailing in order to clean the teeth of the blades from fouling.

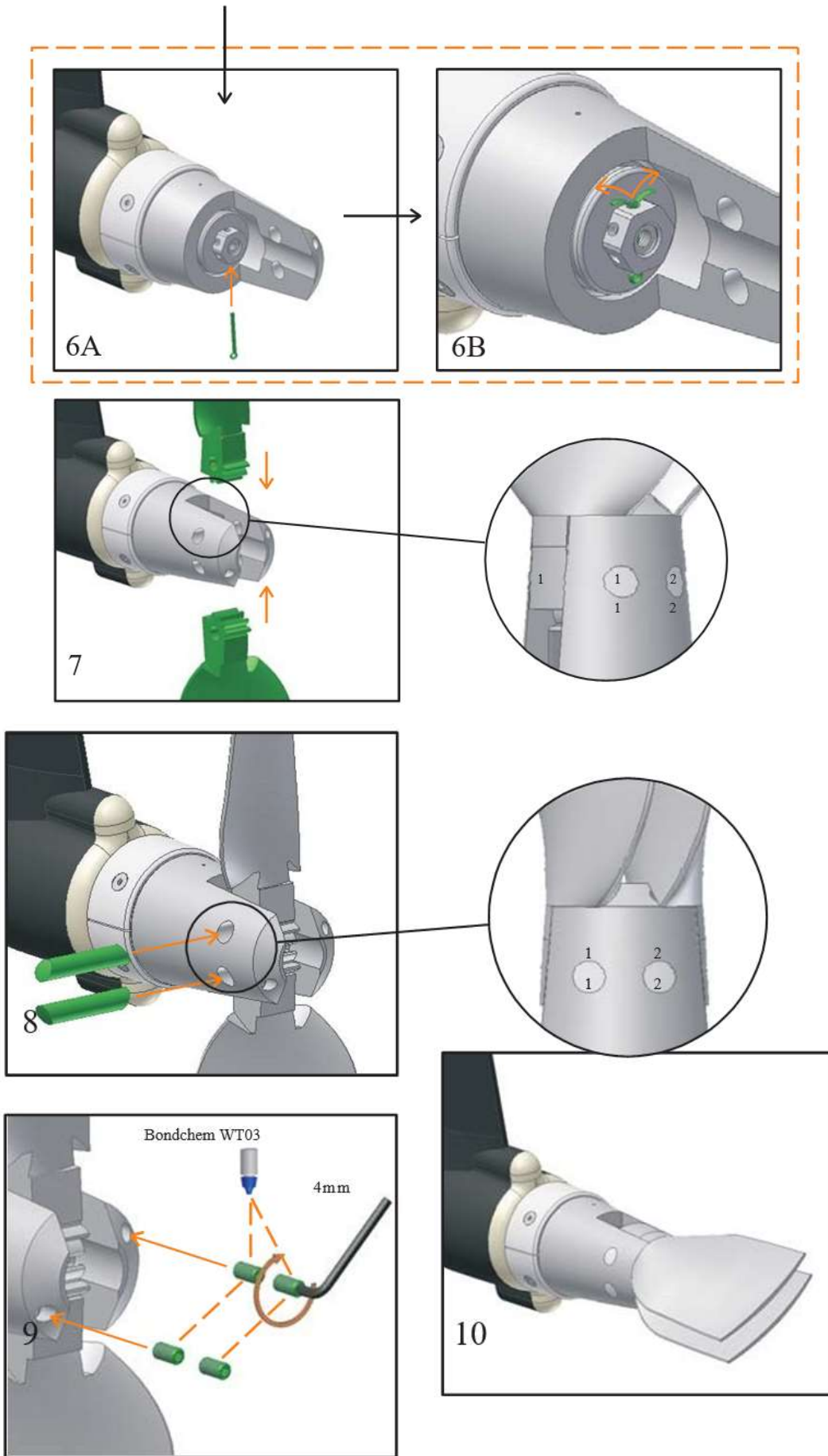
WARNING !

- **Do not start the engine when the boat is out of the water.**
- **The propeller has sharp edges. Be careful not to cut your fingers !**
- **Make sure that the propeller blades do not suddenly open or close and trap your fingers for example.**
- **Do not turn the propeller/engine shaft until the boat is in the water.**
- **Stop the engine before diving or swimming in the vicinity of the boat.**
- **The propeller blades are like knives and can cause considerable damage when rotating. Be careful!**
- **Do not attempt to remove fishing net or ropes from the propeller when the engine is in motion.**
- **Check that the propeller works in both forward and reverse before starting each trip.**
- **If any strange sounds or vibration are noticed coming from the propeller, stop the engine immediately and solve the problem.**
- **In case of problems in connection with the mounting, use or function of the propeller, contact Gori Propeller or the importer in your country.**

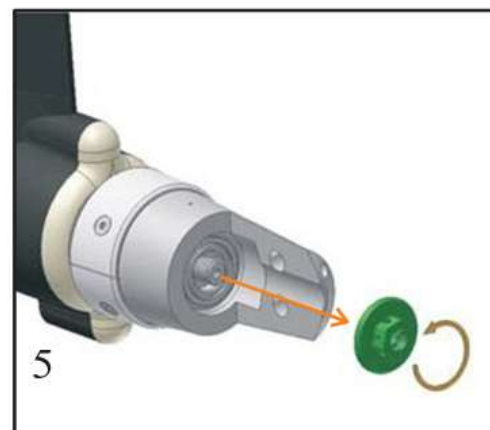
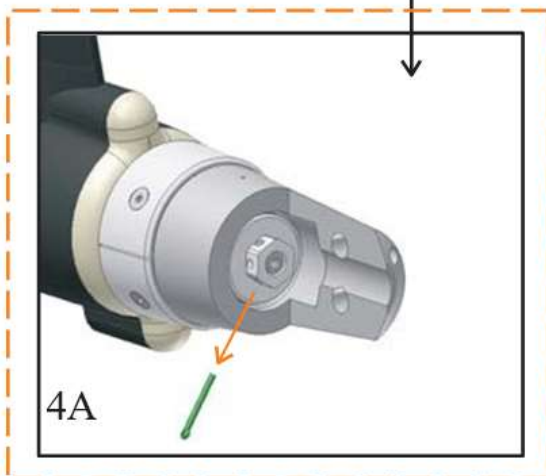
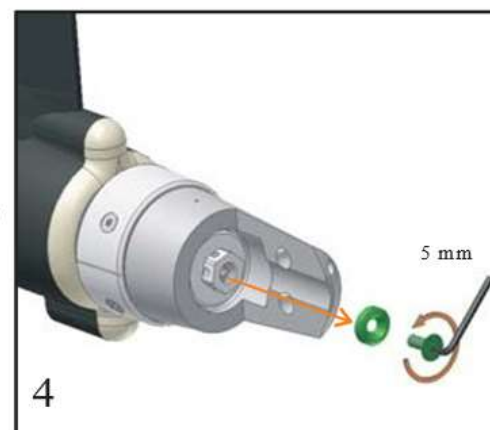
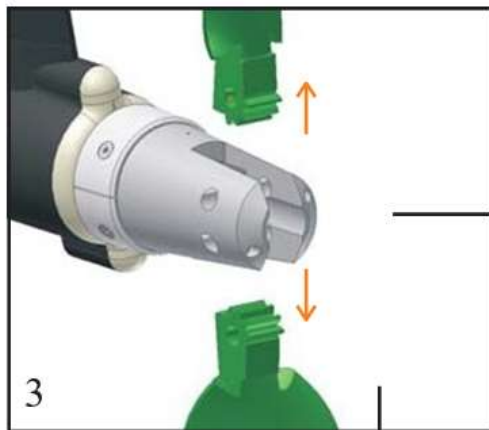
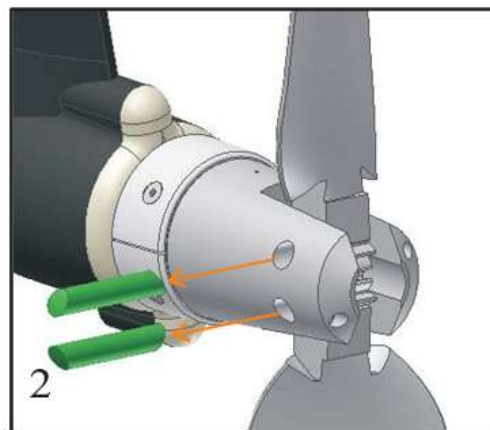
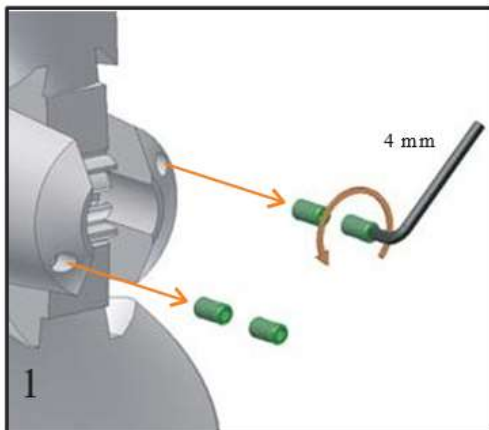
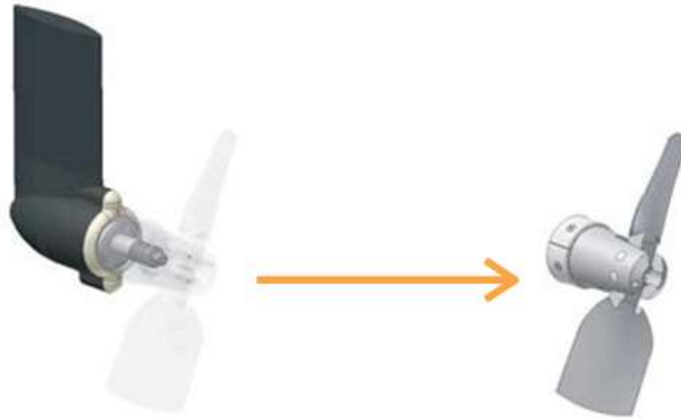
Mounting of a complete propeller for sail drive – (A).



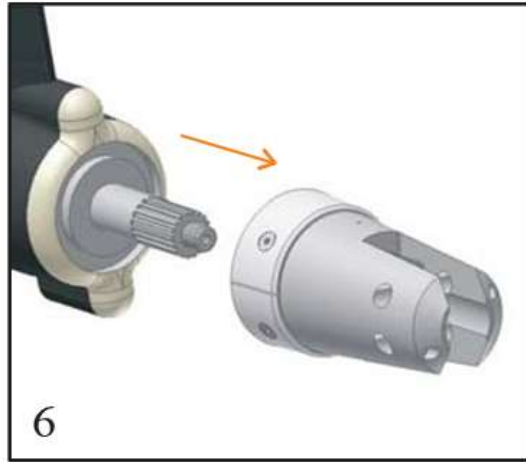
Mounting of a complete propeller for sail drive – (A).



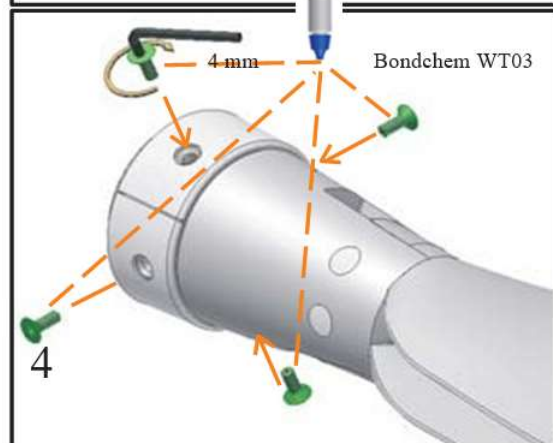
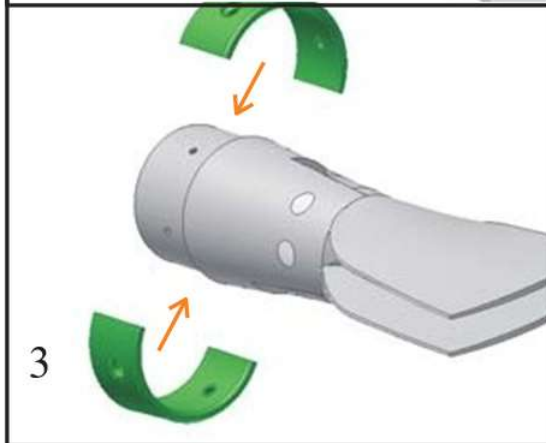
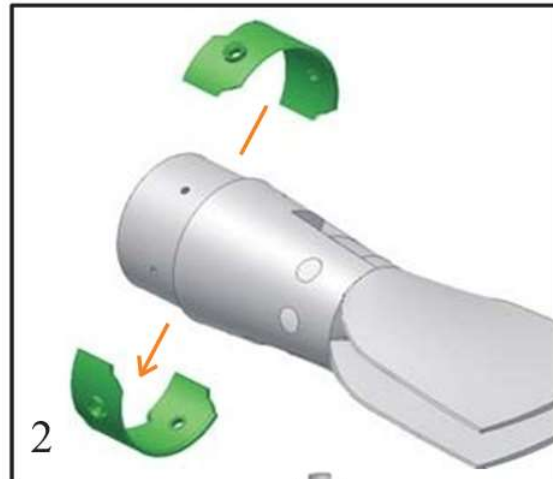
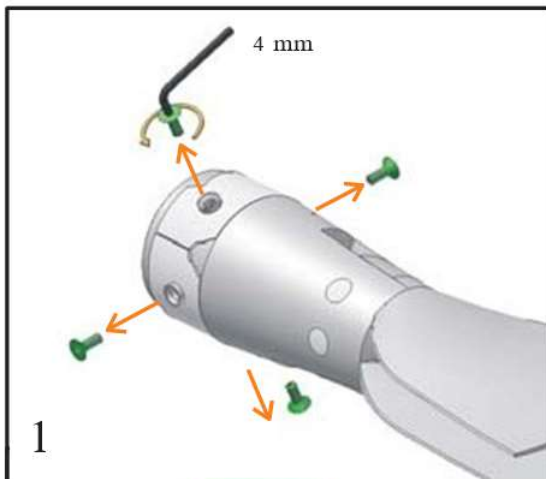
Dismount of a complete propeller for sail drive " – (B).



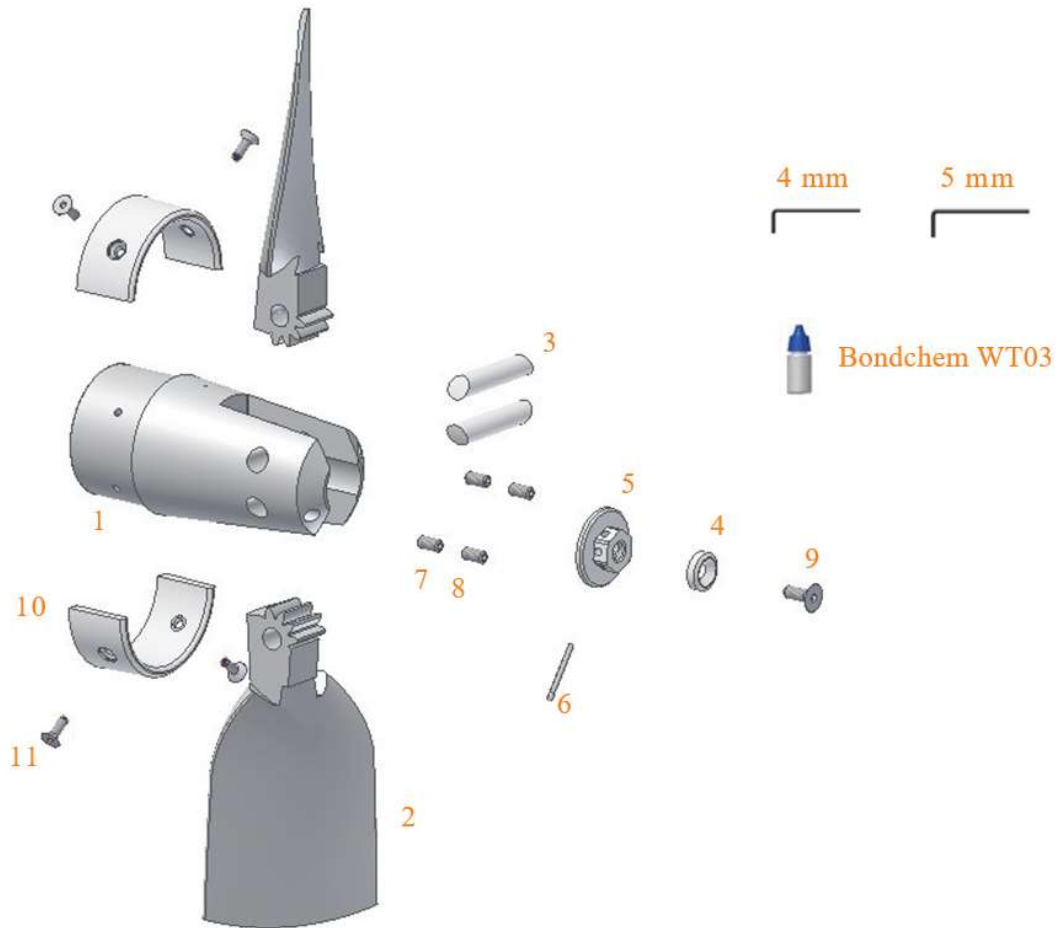
Dismount of a complete propeller for sail drive " – (B).



Exchange of "zinc anodes" – (C).



Spare Part List – (D)



	DK	GB	DE	FR	IT	ES	Pcs.
1	Nav	Hub	Nabe	Moyeu	Mozzo	Cuerpo	1
2	Blad	Blade	Flügel	Pales	Pale	Pala	2
3	Aksel	Pin	Führungsstifte	Boulons en acier	Perni-pale	Pasador	2
4	Låseskive	Lock Washer	Sicherungsscheibe	Rondelle frein	Rondella-sicurezza	Tuerca de seguridad	1
5	Møtrik	Nut	Mutter	Ecrou	Dado	Arandela	1
6	Split	Split pin	Splint	Goupille fendue	Coppiglia	Chaveta	1
7	Skrue M8	Screw M8	Schrauben M8	Vis M8	Grano di fermo M8	Tornillo M8	2
8	Skrue M8	Screw M8	Schrauben M8	Vis M8	Grano di fermo M8	Tornillo M8	2
9	Skrue M8	Screw M8	Schrauben M8	Vis M8	Vite-bloccaggio M8	Tornillo M8	1
10	Zink	Zinc	Zink	Anode zinc	Anodo zinco	Ánodo	2
11	Skrue M8	Screw M8	Schrauben M8	Vis M8	Vite M8	Tornillo M8	4

Gori propeller AS

Fjordagervej 34-36

DK-6100 Haderslev

www.gori-propeller.dk