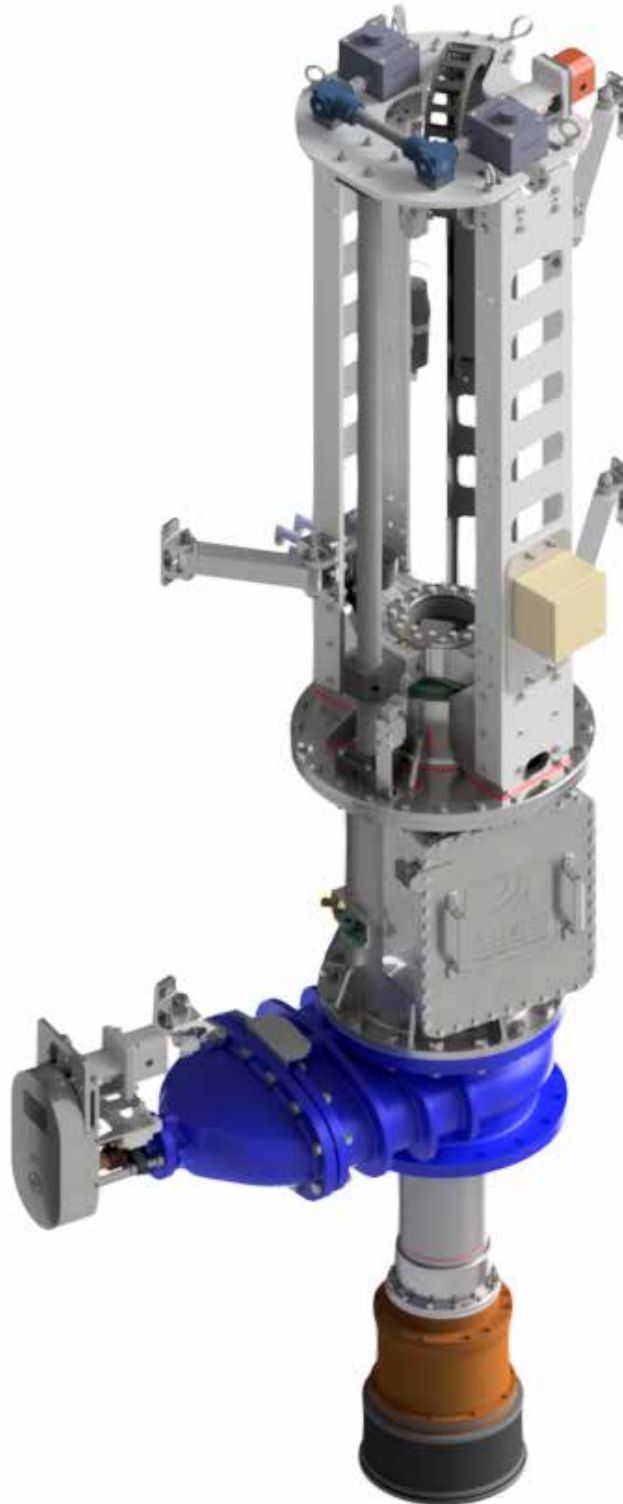
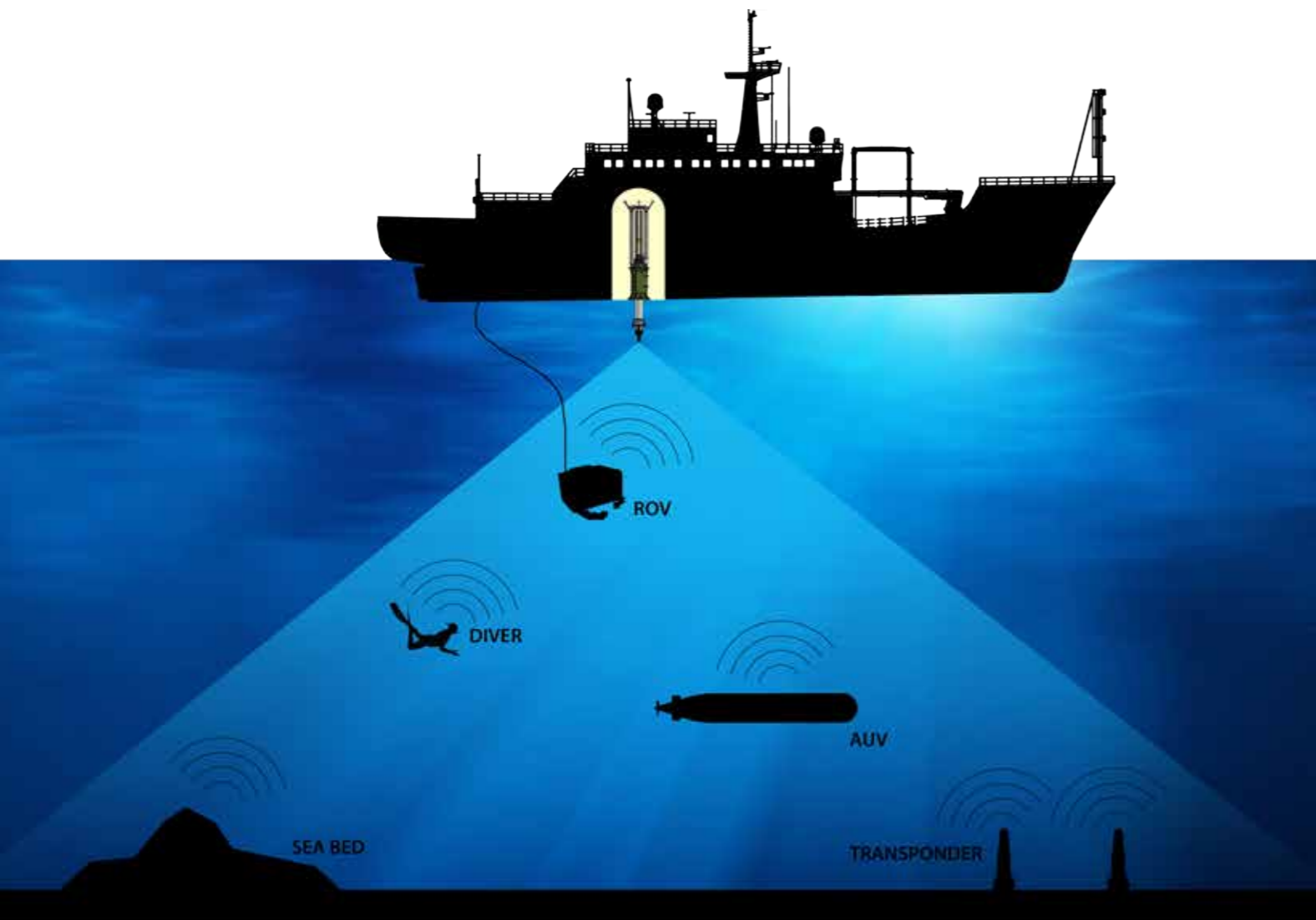




OMS
Ocean Marine Systems



INSTRUMENT DEPLOYMENT



<u>Instrument Deployment Range</u>	Page 04
<u>Vertical Retracting Units</u>	Page 06
Technical Details	Page 07
<u>Swing Retracting Units</u>	Page 08
Technical Details	Page 09
<u>Custom Units</u>	Page 10
Customer Examples	Page 11

Ocean Marine Systems

Established in 1998, OMS specialise in the custom design and manufacture of all products in-house. We use the latest materials and manufacturing techniques to provide the finest leading-edge solutions.

Our People

OMS supply bespoke engineering solutions to award-winning customers around the world, using a network of service agents working with a dedicated in-house project manager. OMS deliver projects on time, within budget and to the highest possible standard customers have come to expect.

Our Investment

At OMS we control as many aspects of the process as we can from customer order through to delivery, from our purpose-built factory and headquarters in Christchurch, UK. To achieve this, as a company we invest in both our people and machinery. Both are key to our success and together this supports our continued growth and development.



Instrument Deployment Range

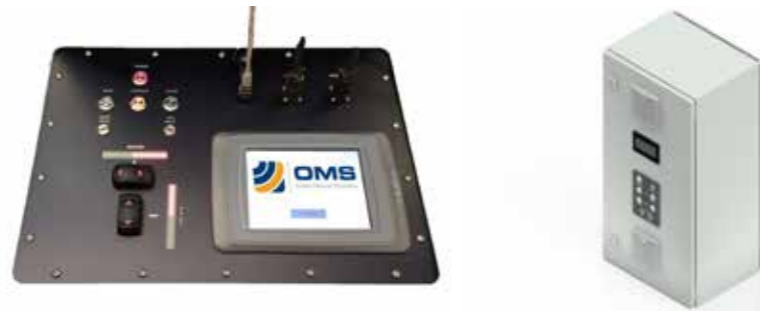
Instrument deployment hoists from OMS are all designed and manufactured to order.

Whilst we do have standard models, our in-house design team can work with any new or existing structure to deliver the best possible solution. Re-fitting to an existing foundation or working within a restricted envelope is also something we are always happy to discuss.

Having supplied units all over the world, OMS is leading the field in innovative design and construction.

Control & Power Options

OMS offers a range of control options that can be loose supplied or mounted on an OMS control panel for easy installation. Our standard OEM options are: bridge panels, wing panels & control systems.



Installation

Correct installation is critical to ensure optimal performance.

Installations should consider, minimum depth of immersion, proximity of the propellers to the system, closing plate design, anode placement and more.



Standard Paint Specification

OMS vertical and swing units are supplied as standard with the following paint spec:

INBOARD PARTS:

Stainless steel, aluminium-bronze, acetal parts and fasteners will be untreated.

Aluminium parts will either be hard anodised or etch primed using an epoxy primer. A suitable gloss topcoat suitable for bilge areas will be applied.

UNDERWATER PARTS:

Stainless steel, aluminium-bronze, acetal parts and fasteners will be untreated.

Aluminium parts will either be hard anodised or etch primed and primed using an epoxy primer. DFT approximately 100 microns.

Warranty

OMS warrants its products in normal usage, to be free of defects in materials and workmanship of one years from the date of original purchase by the user, subject to conditions and materials.

Full warranty terms available on request.



Service Network

OMS have an extensive Network of service agencies worldwide as well as supporting our products direct from factory.

SERVICE LOCATION



Location

Ocean Marine Systems Ltd

Ocean House, Aviation Business Park,
Bournemouth International Airport,
Christchurch, Dorset, BH23 6NW
United Kingdom

Contact us

Tel: +44 (0)1202 596630

Email: mail@oms.ltd

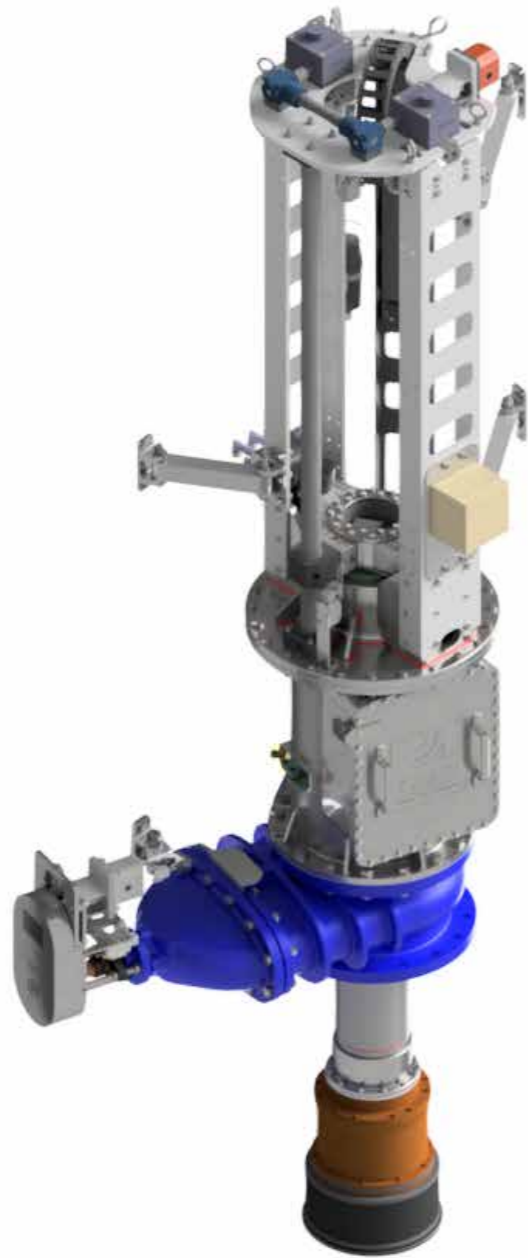
Opening Hours: Mon - Thurs 8 am to 5 pm / Fri 8 am to 12 pm

Web: oms.ltd



Vertical Retracting Units

OMS Instrument Deployment



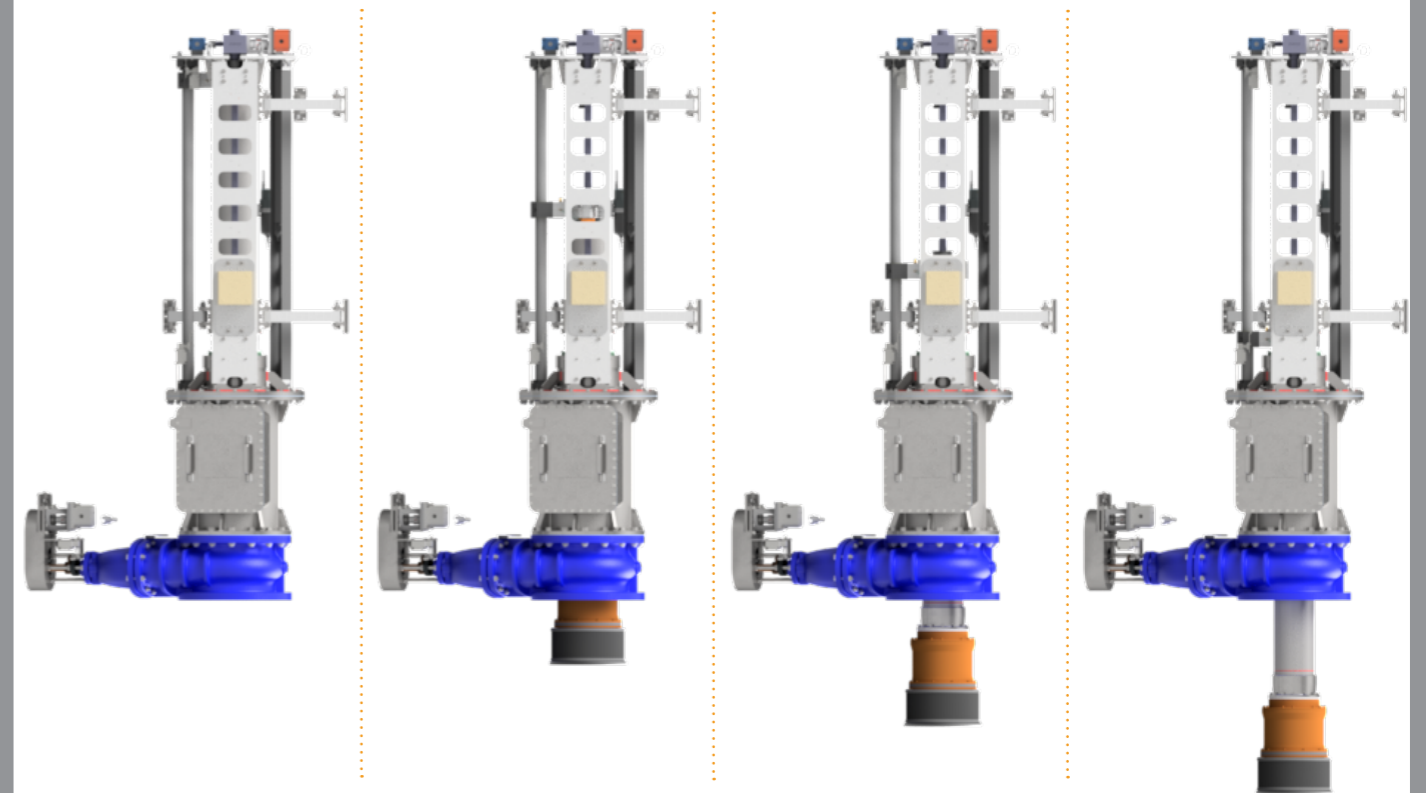
Vertical retracting units allow full retraction, with the flexibility of sealing arrangements such as a gate valve or hull closing plate. The vertical unit is a compact design which uses a lead screw lift assembly with a reduction gear box to ensure that the unit, when retracted, is held firmly in place.

The vertical unit is also very useful where vessels have a deep V profile so the unit is fitted higher providing a longer deployment stroke to clear the hull. They can also be fitted further forward or aft than the swing units.

For added security all Vertical Retracting Units can be manually raised or lowered in case of power failure. To ensure there is no environmental risk, the main drive motor, hydraulic hoses and electric cables are inside the vessel so are not open to sea water.

Technical Details

OMS Instrument Deployment



1. A permanent magnet motor is used enabling extremely compact and robust structure, high efficiency and liquid cooled with plain water or water/glycol mixture.
2. Fabricated base plate / bearing assemblies with hole patterns, compliant to all classifications.
3. Ratio gearbox driving twin trapezoidal threaded lead screws ensuring self-weight support of the unit. Raise / lower limit switches and indicators.
4. Flexible coupling between hub assembly and motor to reduce noise and vibration.
5. Factory test and inspection reports provided with all units.
Whilst we do have standard models, our in-house design team can work with any new or existing structure to deliver the best possible solution.

GATE VALVE



SONAR ATTACHMENT



CONTROL SYSTEM ENCLOSURE



Swing Retracting Units

OMS Instrument Deployment



Swing deployment units from OMS are ideal for installations where the vertical room is limited. Designed to be installed as one module, the unit can be mounted to any flat section of the vessels hull. The fabricated inner and outer boxes offer a compact design with an integral door mechanism allowing for a fair hull when retracted or deployed.

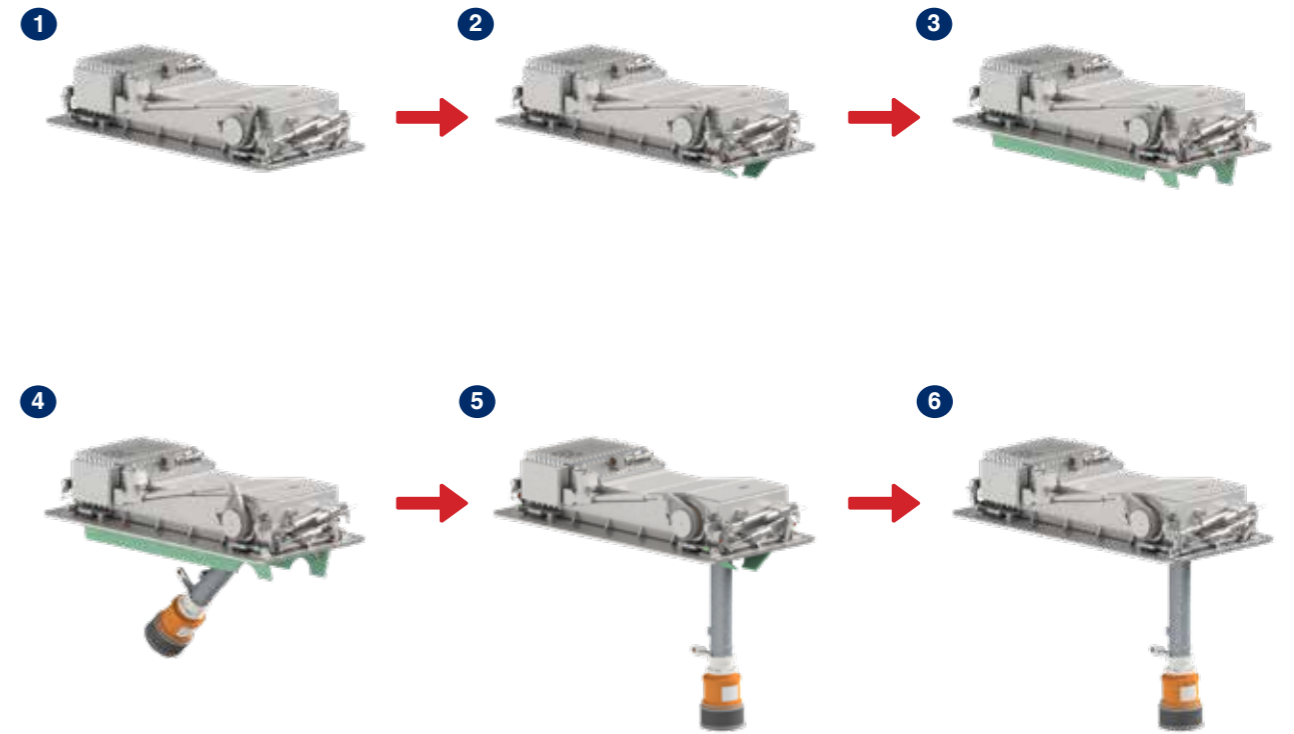
The length of the deployment leg can be adjusted for each application with the head mounting also allowing considerable adjustment for side scan mounting or an offset horizontal depending on hull form.

The swing solution can be supplied with our PLC control system including local and remote-control panels. The language and operational criteria are flexible to your requirement.

For added security all Swing Retracting Units can be manually raised or lowered in case of power failure. In addition, OMS swing units feature a locking pin which adds additional security when locking the leg in the raised position. To ensure there is no environmental risk, the main drive motor, hydraulic hoses and electric cables are inside the vessel so are not open to sea water.

Technical Details

OMS Instrument Deployment



1. A side mounted actuator enables extremely compact and robust structure, high efficiency and liquid cooled with plain water or water/glycol mixture.
2. Fabricated base plate with hole patterns, compliant to all classifications.
3. Main lift actuator ensures self-weight support and smooth transition of the leg. Raise / lower limit switches and indicators to enable door opening and closure.
4. Factory test and inspection reports provided with all units.

Whilst we do have standard models, our in-house design team can work with any new or existing structure to deliver the best possible solution.

Diver attached Closing Plate



SONAR ATTACHMENT FEATURING LOCKING PIN

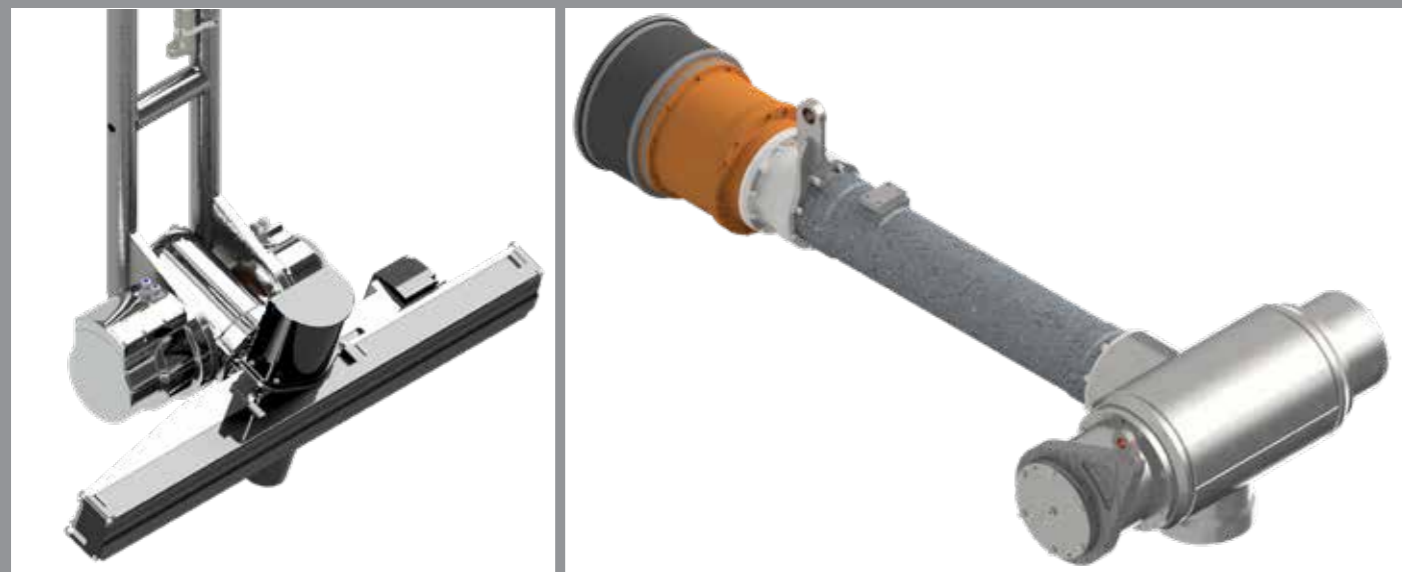
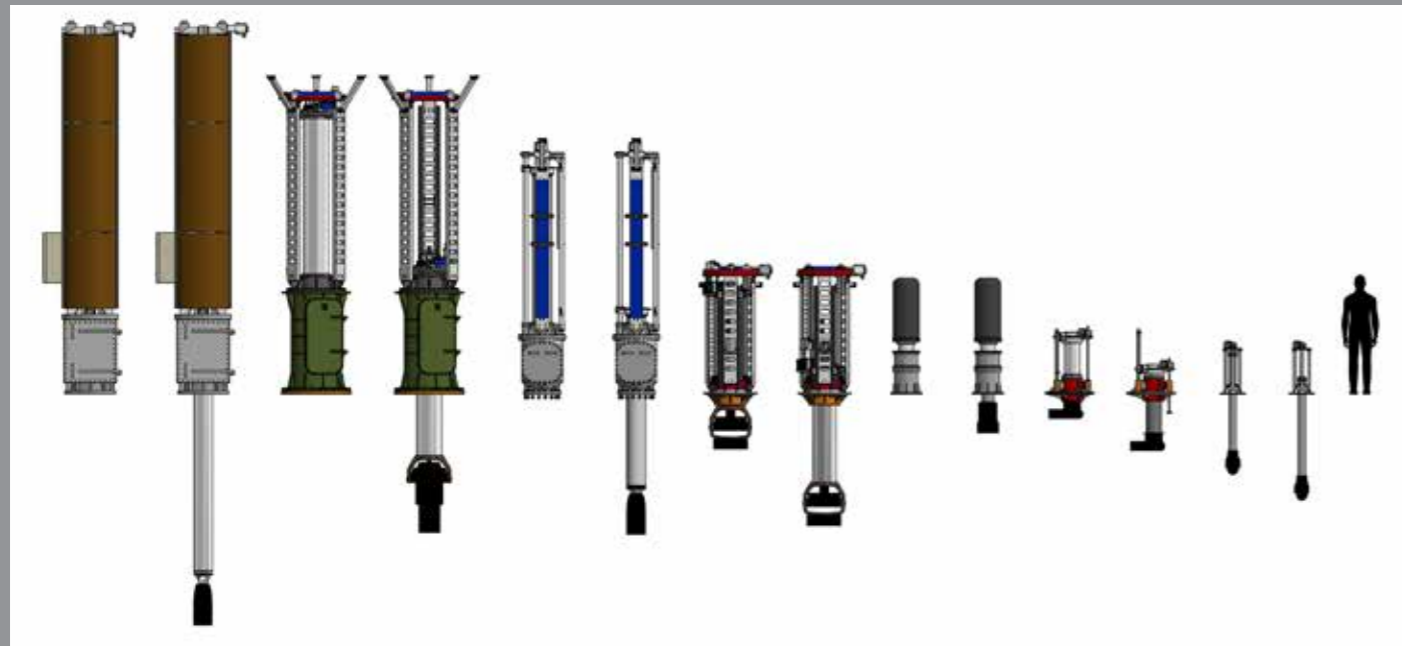


CONTROL SYSTEM ENCLOSURE



Custom Units

OMS Instrument Deployment



OMS strive to achieve custom solutions for all applications. Instrument deployment from OMS are all designed and manufactured to order. Whilst we do have standard models, our in-house design team can work with any new or existing structure to deliver the best possible solution. Re-fitting to an existing foundation or working within a restricted envelope is also something we are always happy to discuss.

Approved
Our builds can be delivered with class approval and to MIL Spec standards as required.

Support
We support our installations with a worldwide network of service engineers and partners.

Please get in contact regarding any queries or design needs, we would be happy to help.

Customer Examples

OMS Instrument Deployment



Instrument Deployment





OMS
Ocean Marine Systems

An Introduction to OMS Hydraulics

OMS Hydraulics

Hydraulics Range

We offer a complete range of aluminium and stainless-steel cylinders. Engineered with intelligence and with performance in mind, these cylinders will integrate into most hydraulic systems controlling mast, sail and rigging combinations. Designed and built in the UK, these units are reliable, elegant and proven to suit both race and cruising requirements.

We have a proven track record in providing control cylinders to both production series yachts as well as the worlds largest superyacht applications.

In addition to cylinders, we can provide the associated pumps, power-packs and control systems that make a complete on board hydraulic solution. Custom system design and supply is offered by our highly experienced engineers.



Contact OMS for your
Hydraulics brochure



Rams



Inner Forestay
Tensioners



Mechanical Lock
Rams



Manual
Controls



Vangs



Sail Trim



DC Power Packs



Header Tanks



Double Pull
Travellers



Sail Trim Double



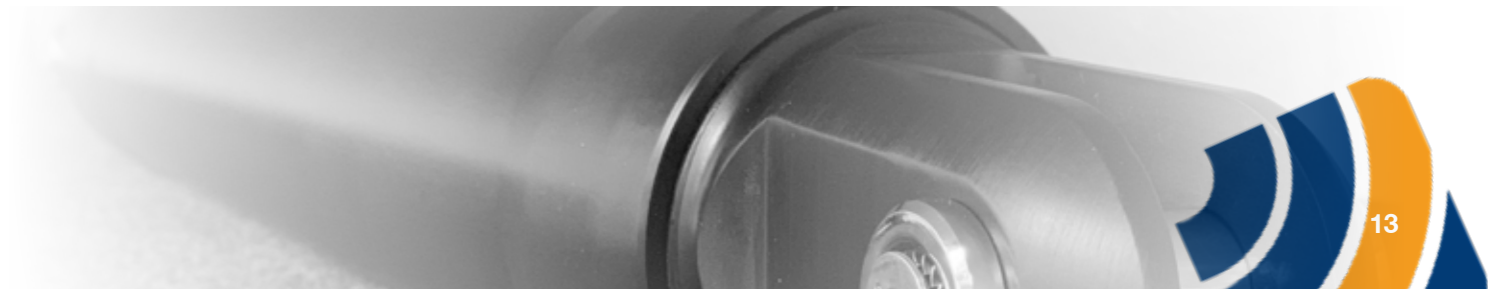
Control Manifold
Assemblies



Custom



THRUSTERS • HYDRAULICS





Thrusters Range

OMS offers a complete range of bow and stern thrusters. Our range caters for vessels from 20-150m with power ranging from 15kw to 800kw (20 - 1000 + hp) in both electric and hydraulic variants. As well as standard fixed tunnel units we also offer vertical retracting and swing variations.

OMS also have specific designs that integrate and work as part of dynamic positioning systems and also offer emergency propulsion with our rotating units.

A range of super-lightweight retracting thrusters have been developed specifically for new generation racer / cruiser class yachts. Fully custom solutions are available for commercial or specialist applications.



Contact OMS for your Thruster brochure



Tunnel Thruster Hydraulic



Tunnel Thruster Electric



Vertical Retracting Thruster Hydraulic



Vertical Retracting Thruster Electric



Vertical Retracting & Rotating Thruster Hydraulic



Vertical Retracting & Rotating Thruster Electric

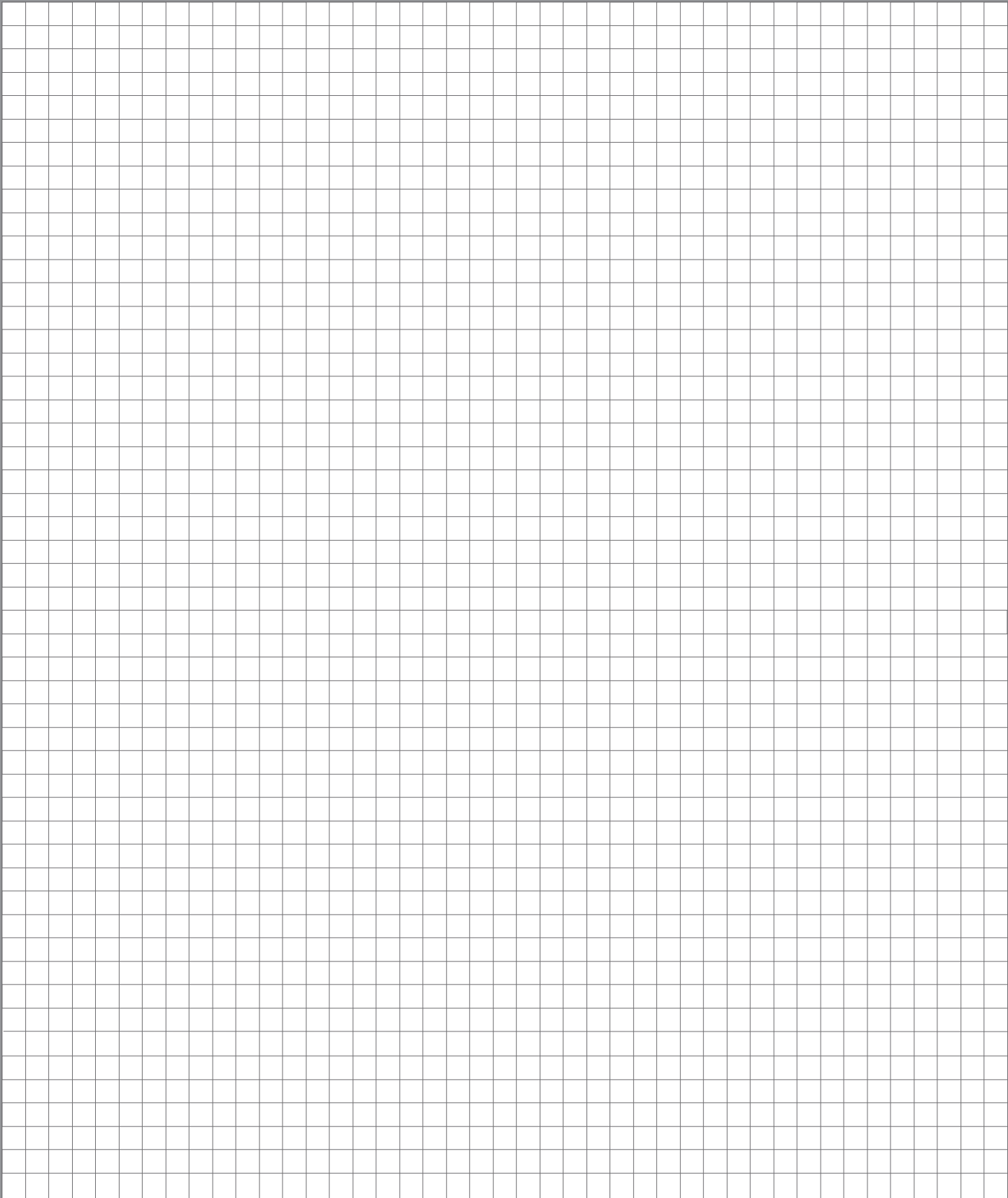


Swing Thruster Hydraulic



Swing Thruster Electric





Ocean Marine Systems

Ocean House, Aviation Business Park,
Bournemouth International Airport,
Christchurch, Dorset, BH23 6NW
United Kingdom

Contact Us:

Tel: +44 (0)1202 596630

Email: mail@oms.ltd

Opening Hours: Mon - Thurs 8 am to 5 pm / Fri 8 am to 12

Web: oms.ltd

ISSUE 2021.01