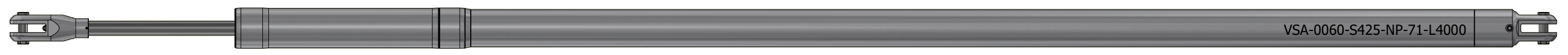
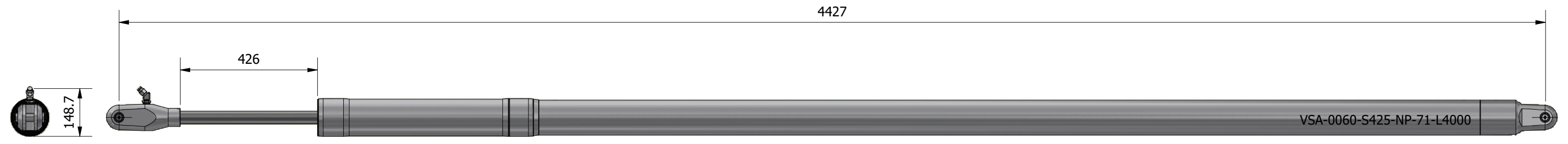
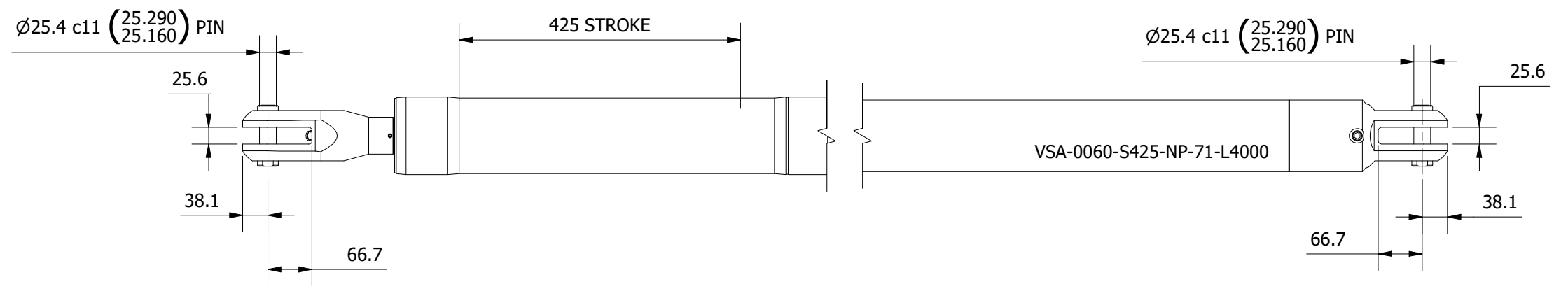
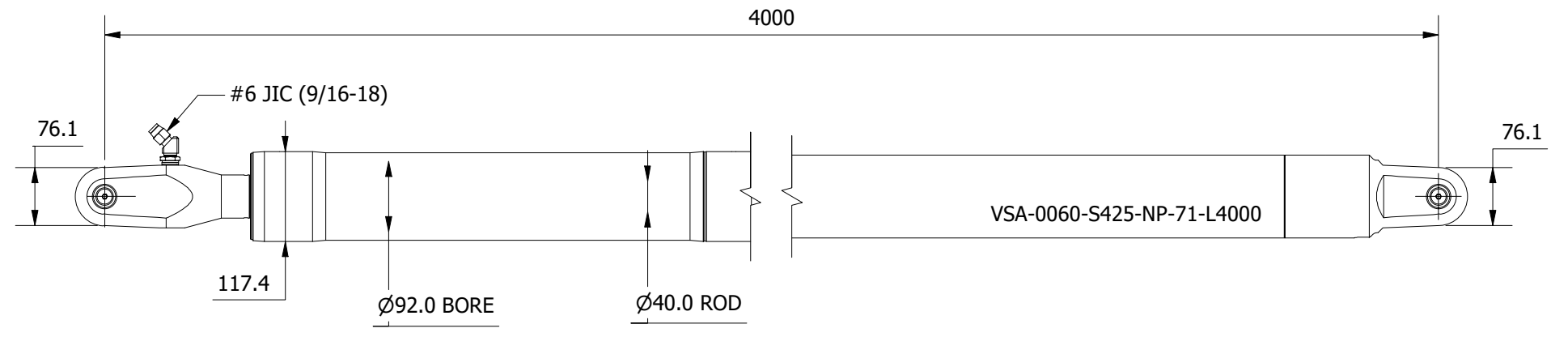


SIZE -0060
 MAX PCLC 4000 mm
 PIN / GAP 25.4 mm
 BORE DIA 92 mm
 ROD DIA 40 mm
 STROKE 425 mm
 WEIGHT (@4500MM PCLC) 51.83 Kg
 FULL BORE AREA (PUSHING/EXTENDING) 6648 mm²
 ANNULUS AREA (PULLING/RETRACTING) 5319 mm²
 OIL DISPLACEMENT (ANNULUS SIDE) 2.29 ltrs
 MAXIMUM PUSH FORCE @ 40 BAR 2711 Kg (26590 N)
 PULL FORCE @ 150 BAR 8243 Kg (80865 N)
 PULL FORCE @ 250 BAR 13738 Kg (134774 N)
 MAX PULL FORCE @ 350 BAR (RELIEF) 19234 Kg (188684 N)



NOTE: CUSTOM STROKES, LENGTHS AND CLEVIS DIMENSIONS AVAILABLE UPON REQUEST

	Title ALUMINIUM SINGLE ACTING GAS RETURN VANG		Revision 1
	Drawing No. VSA-0060-S425-NP-71-L4000		Date Drawn 08/11/2021
	Tel: +44 (0)1202 596630 www.oms.ltd		By AL

© Copyright. All rights to this drawing and design are the sole property of OMS Ltd. This drawing must not be copied, communicated or loaned to any third party without the written consent of OMS Ltd.