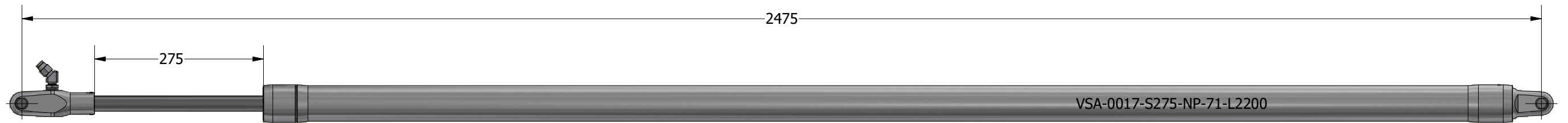
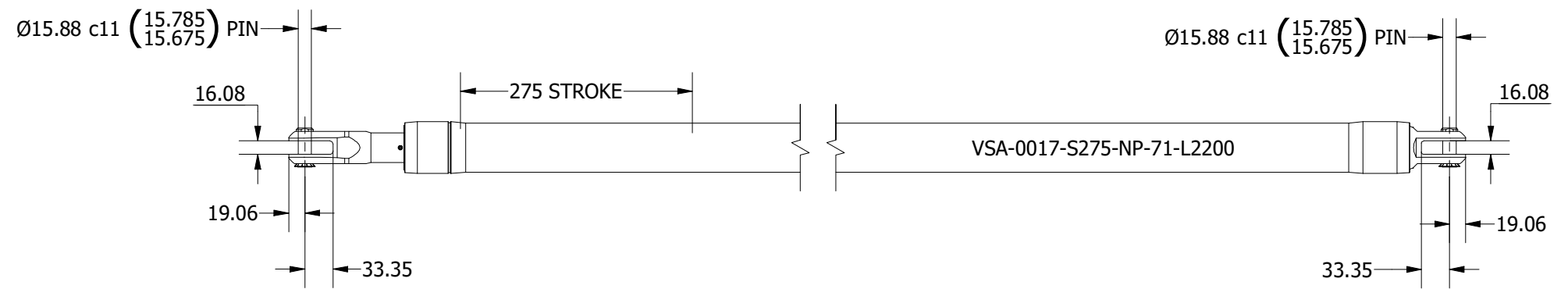
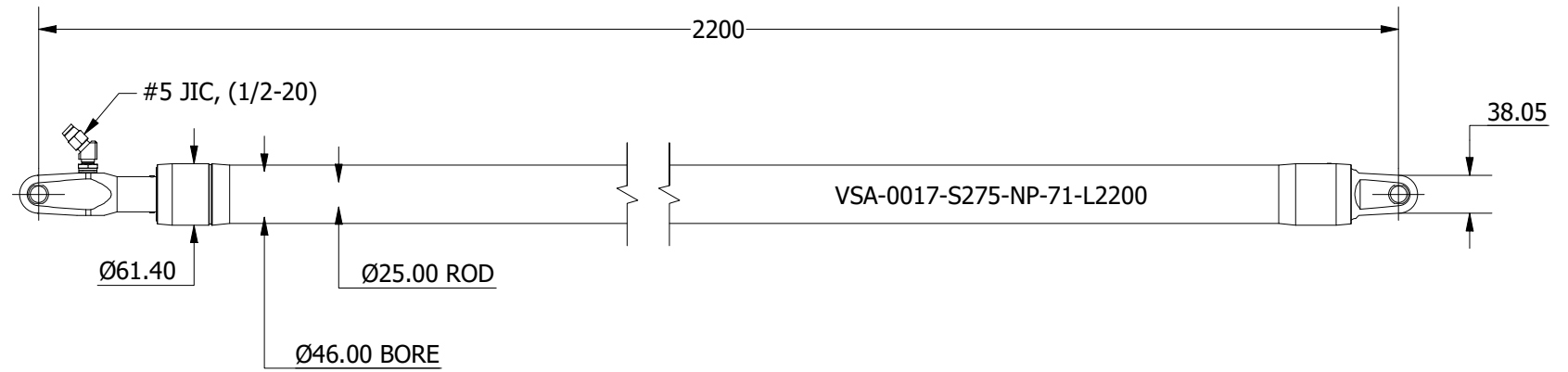


SIZE -0017
 MAX PCLC 2200 mm
 PIN / GAP 15.88 mm
 BORE DIA 46 mm
 ROD DIA 25 mm
 STROKE 275 mm
 WEIGHT (@2200mm PCLC) 8.28 Kg
 FULL BORE AREA (PUSHING/EXTENDING) 1662 mm²
 ANNULUS AREA (PULLING/RETRACTING) 1171 mm²
 OIL DISPLACEMENT (ANNULUS SIDE) 0.32 ltrs
 MAXIMUM PUSH FORCE @ 40 BAR 678 Kg (6648 N)
 PULL FORCE @ 150 BAR 1791 Kg (17565 N)
 PULL FORCE @ 250 BAR 2984 Kg (29276 N)
 MAX PULL FORCE @ 350 BAR (RELIEF) 4178 Kg (40986 N)



NOTE: CUSTOM STROKES, LENGTHS AND CLEVIS DIMENSIONS AVAILABLE UPON REQUEST

	Title ALUMINIUM SINGLE ACTING GAS RETURN VANG		Revision 3
	Drawing No. VSA-0017-S275-NP-71-L2200		Date Drawn 05/11/2021 By AL
	Tel: +44 (0)1202 596630 www.oms.ltd		© Copyright. All rights to this drawing and design are the sole property of OMS Ltd. This drawing must not be copied, communicated or loaned to any third party without the written consent of OMS Ltd.