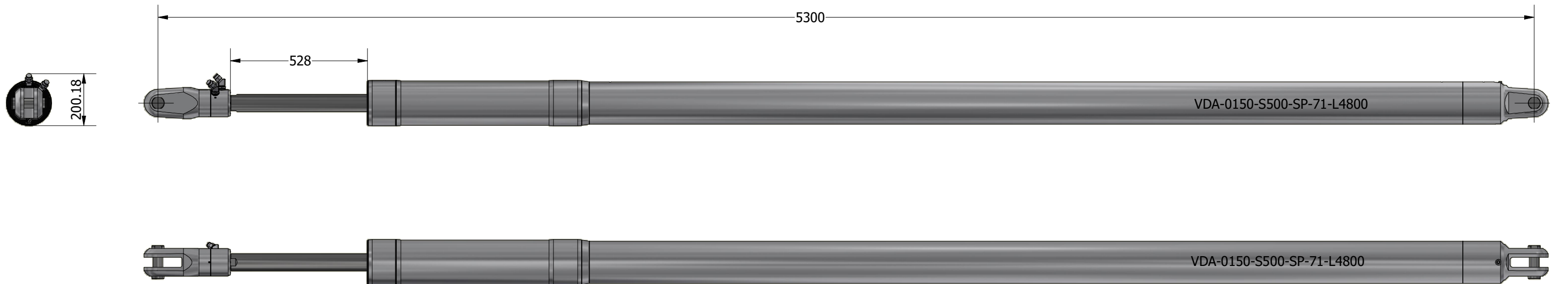
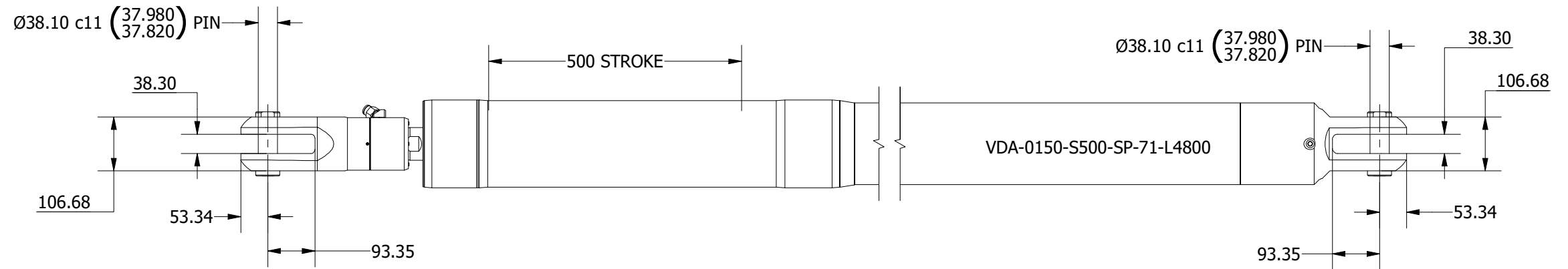
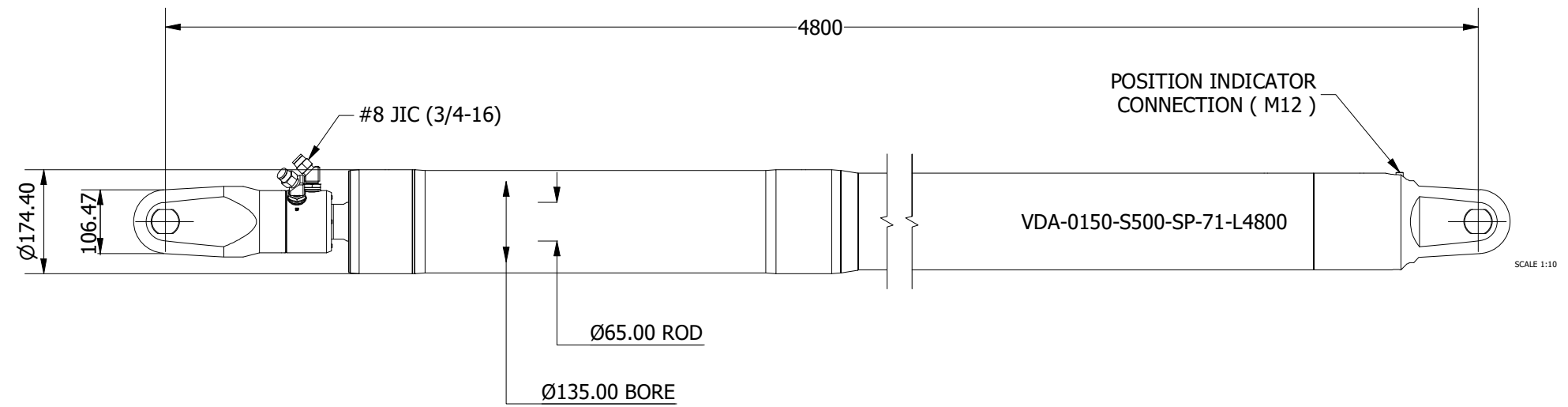


SIZE -0150
 MAX PCLC 4800 mm
 PIN / GAP 38.10 mm
 BORE DIA 135 mm
 ROD DIA 65 mm
 STROKE 500 mm
 ESTIMATED WEIGHT (@4800mm PCLC) 169.0 Kg
 FULL BORE AREA (PUSHING/EXTENDING) 14314 mm²
 ANNULUS AREA (PULLING/RETRACTING) 10996 mm²
 OIL DISPLACEMENT (FULL BORE SIDE) 7.16 ltrs
 OIL DISPLACEMENT (ANNULUS SIDE) 5.50 ltrs
 MAXIMUM PUSH RELIEF @ 75 BAR 10943 Kg (107354 N)
 PULL FORCE @ 150 BAR 16813 Kg (156981 N)
 PULL FORCE @ 250 BAR 28021 Kg (261636 N)
 MAXIMUM PULL RELIEF @ 350 BAR 39230 Kg (366290 N)

PI SIGNAL = 4-20mA



NOTE: CUSTOM STROKES, LENGTHS AND CLEVIS DIMENSIONS AVAILABLE UPON REQUEST

	Title ALUMINIUM DOUBLE ACTING VANG		Revision 2
	Drawing No. VDA-0150-S500-SP-71-L4800		Date Drawn 09/11/2021
	By AL		
Tel: +44 (0)1202 596630 www.oms.ltd		© Copyright. All rights to this drawing and design are the sole property of OMS Ltd. This drawing must not be copied, communicated or loaned to any third party without the written consent of OMS Ltd.	