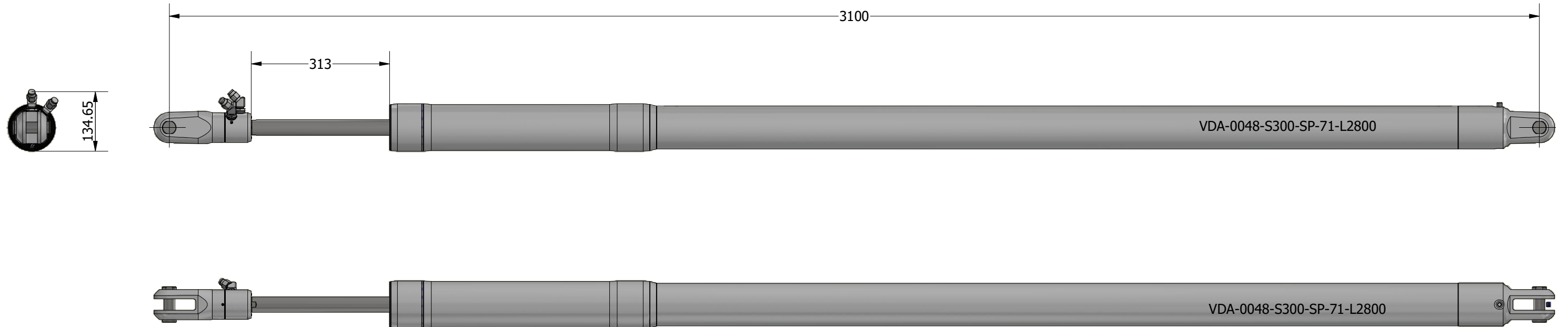
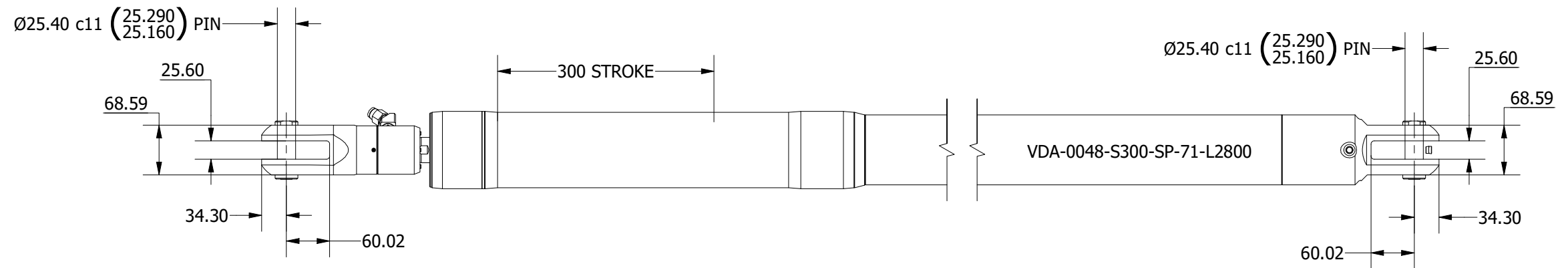
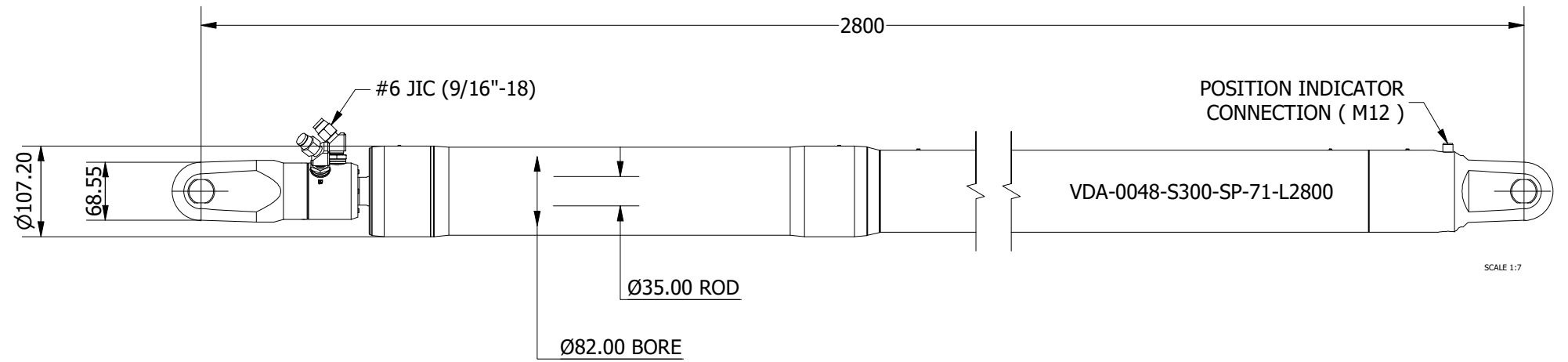


SIZE -0048
 MAX PCLC 2800 mm
 PIN / GAP 25.40 mm
 BORE DIA 82 mm
 ROD DIA 35 mm
 STROKE 300 mm
 ESTIMATED WEIGHT (@2800mm PCLC) 36.66 Kg
 FULL BORE AREA (PUSHING/EXTENDING) 5281 mm²
 ANNULUS AREA (PULLING/RETRACTING) 4319 mm²
 OIL DISPLACEMENT (FULL BORE SIDE) 1.58 ltrs
 OIL DISPLACEMENT (ANNULUS SIDE) 1.30 ltrs
 MAXIMUM PUSH RELIEF @ 75 BAR 4037 Kg (39608 N)
 PULL FORCE @ 150 BAR 6604 Kg (64784 N)
 PULL FORCE @ 250 BAR 11006 Kg (107973 N)
 MAXIMUM PULL RELIEF @ 350 BAR 15409 Kg (151162 N)

PI SIGNAL = 4-20mA



NOTE: CUSTOM STROKES, LENGTHS AND CLEVIS DIMENSIONS AVAILABLE UPON REQUEST

	Title ALUMINIUM DOUBLE ACTING VANG		Revision 3
	Drawing No. VDA-0048-S300-SP-71-L2800		Date Drawn 03/11/2022
	Tel: +44 (0)1202 596630 www.oms.ltd		By AL

© Copyright. All rights to this drawing and design are the sole property of OMS Ltd. This drawing must not be copied, communicated or loaned to any third party without the written consent of OMS Ltd.