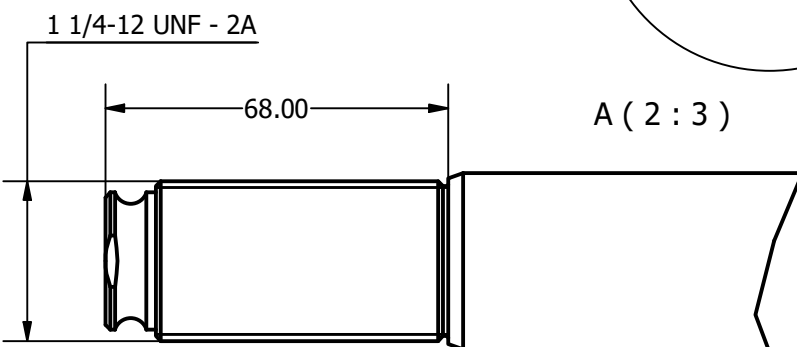
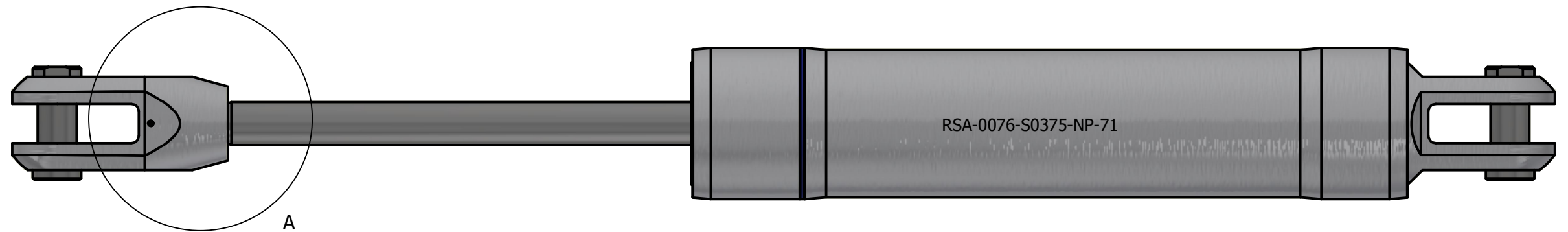
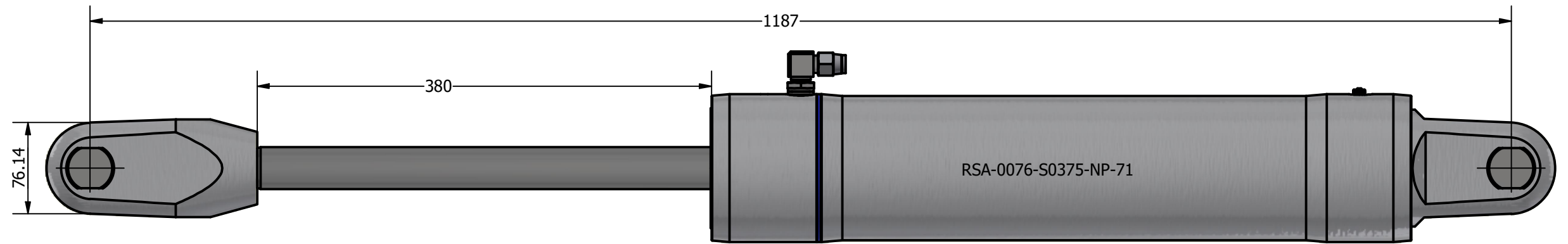
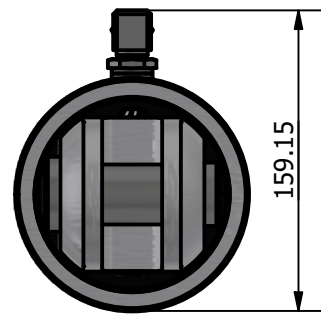
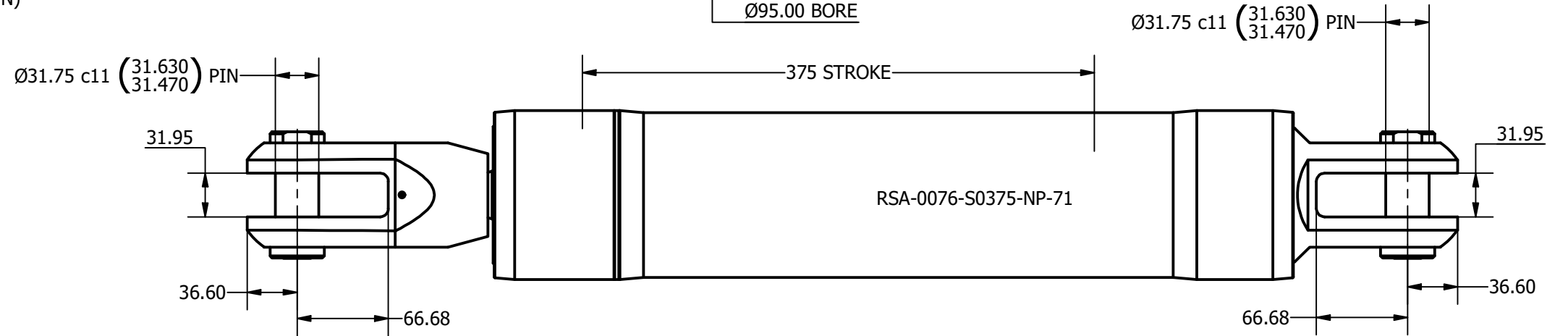
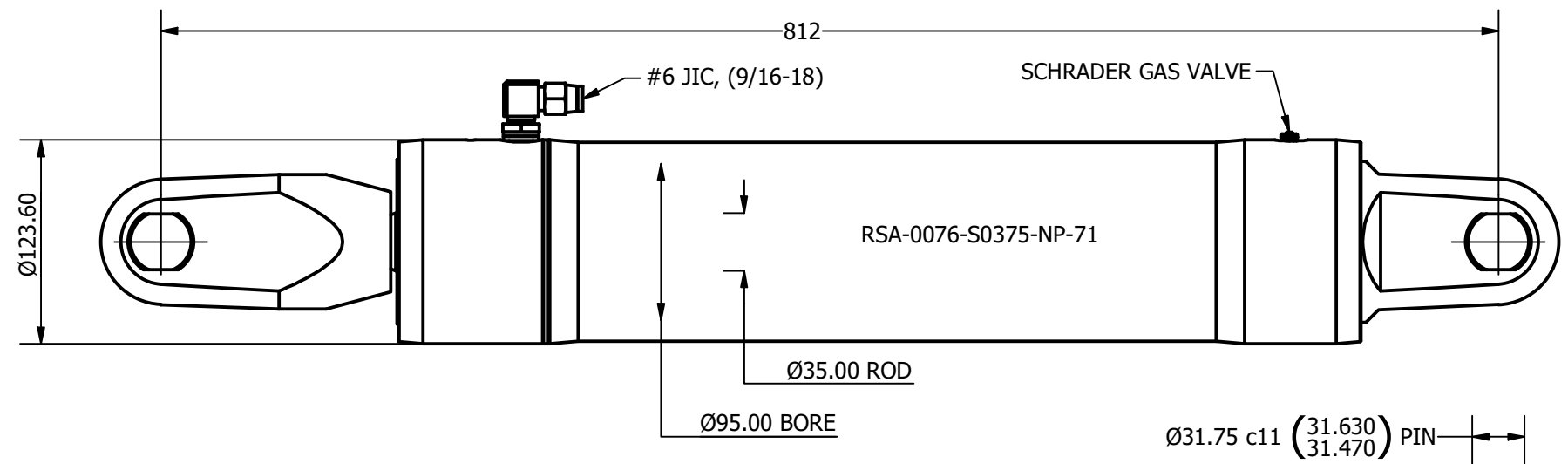


SIZE	-0076
PCLC	812 mm
PIN / GAP	31.75 mm
BORE DIA	95 mm
ROD DIA	35 mm
STROKE	375 mm
WEIGHT	16.77 Kg
FULL BORE AREA (PUSHING/EXTENDING)	7088 mm ²
ANNULUS AREA (PULLING/RETRACTING)	6126 mm ²
GAS DISPLACEMENT (FULL BORE SIDE)	2.66 ltrs
OIL DISPLACEMENT (ANNULUS SIDE)	2.30 ltrs
MAXIMUM PUSH FORCE @ 5 BAR	361 Kg (3544 N)
PULL FORCE @ 150 BAR	9367 Kg (91892 N)
PULL FORCE @ 250 BAR	15612 Kg (153153 N)
MAX PULL FORCE @ 350 BAR (RELIEF)	21857 Kg (214414 N)



NOTE: CUSTOM STROKES, LENGTHS AND CLEVIS DIMENSIONS AVAILABLE UPON REQUEST

	Title ALUMINIUM SINGLE ACTING GAS RETURN CYLINDER		Revision 3
	Drawing No. RSA-0076-S0375-NP-71		Date Drawn 25/10/2021
	Tel: +44 (0)1202 596630 www.oms.ltd		By AL

© Copyright. All rights to this drawing and design are the sole property of OMS Ltd. This drawing must not be copied, communicated or loaned to any third party without the written consent of OMS Ltd.