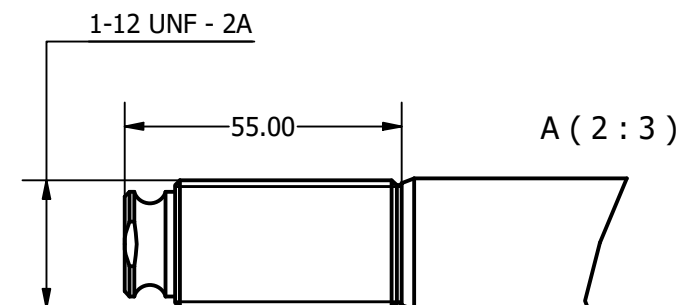
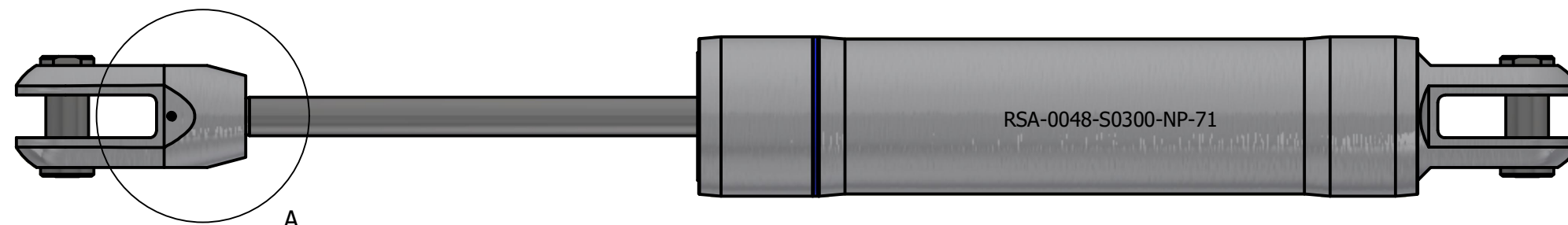
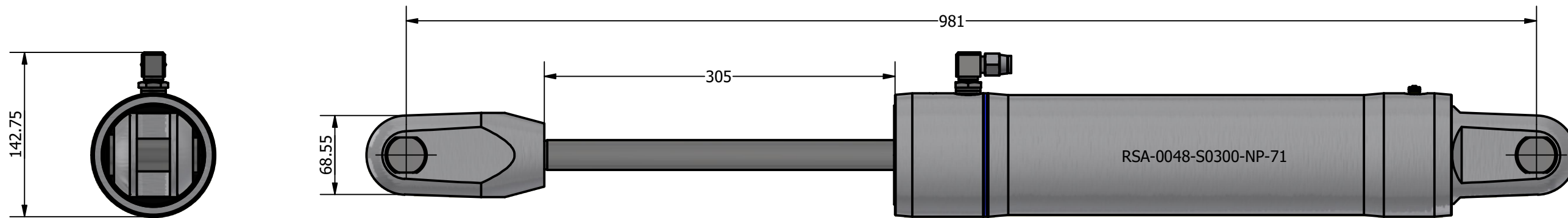
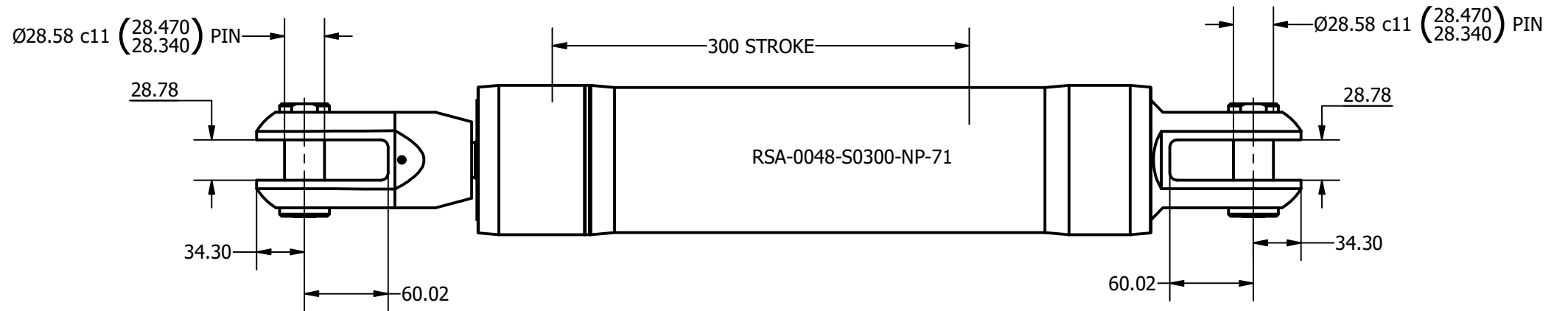
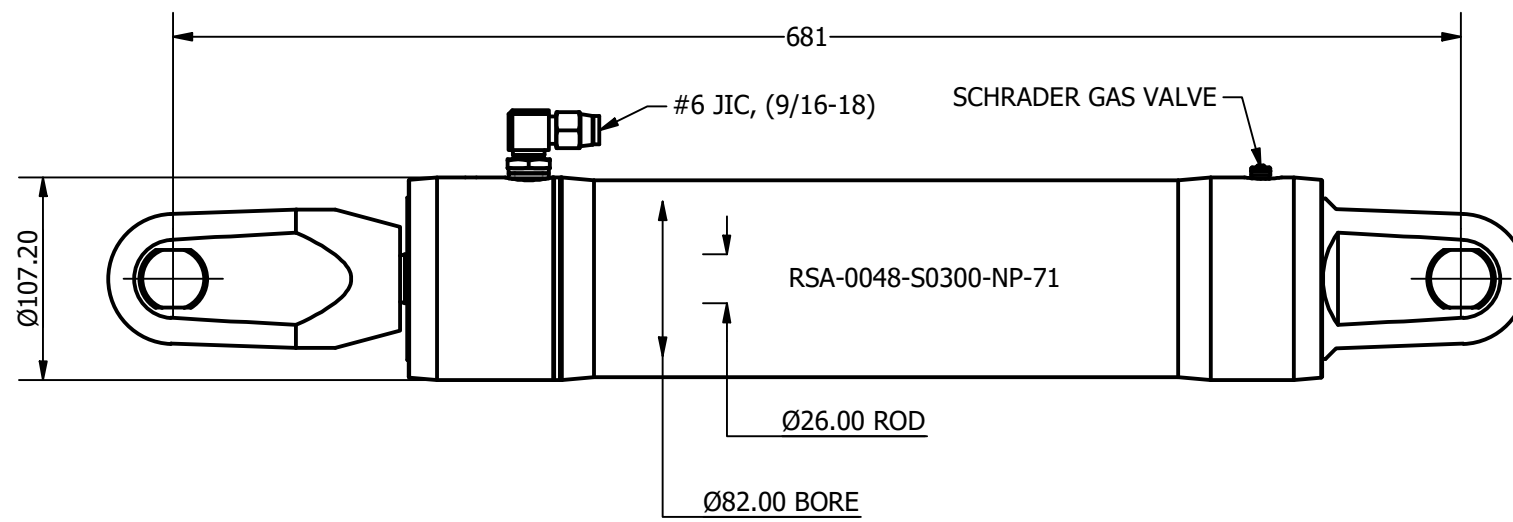


SIZE	-0048
PCLC	681 mm
PIN / GAP	28.58 mm
BORE DIA	82 mm
ROD DIA	26 mm
STROKE	300 mm
WEIGHT	10.07 Kg
FULL BORE AREA (PUSHING/EXTENDING)	5281 mm <sup>2</sup>
ANNULUS AREA (PULLING/RETRACTING)	4750 mm <sup>2</sup>
GAS DISPLACEMENT (FULL BORE SIDE)	1.58 ltrs
OIL DISPLACEMENT (ANNULUS SIDE)	1.43 ltrs
MAXIMUM PUSH FORCE @ 5 BAR	269 Kg (2641 N)
PULL FORCE @ 150 BAR	7263 Kg (71251 N)
PULL FORCE @ 250 BAR	12105 Kg (118752 N)
MAX PULL FORCE @ 350 BAR (RELIEF)	16947 Kg (166253 N)



**NOTE: CUSTOM STROKES, LENGTHS AND CLEVIS DIMENSIONS AVAILABLE UPON REQUEST**

	Title ALUMINIUM SINGLE ACTING GAS RETURN CYLINDER		Revision 3
	Drawing No. RSA-0048-S0300-NP-71		Date Drawn By 25/10/2021 AL
	Tel: +44 (0)1202 596630 www.oms.ltd		© Copyright. All rights to this drawing and design are the sole property of OMS Ltd. This drawing must not be copied, communicated or loaned to any third party without the written consent of OMS Ltd.