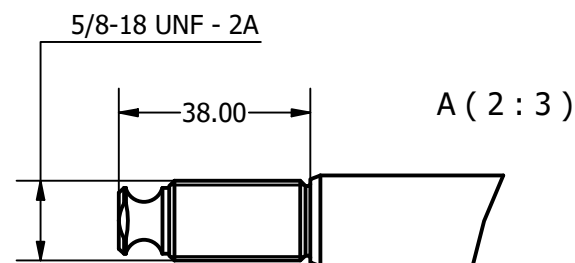
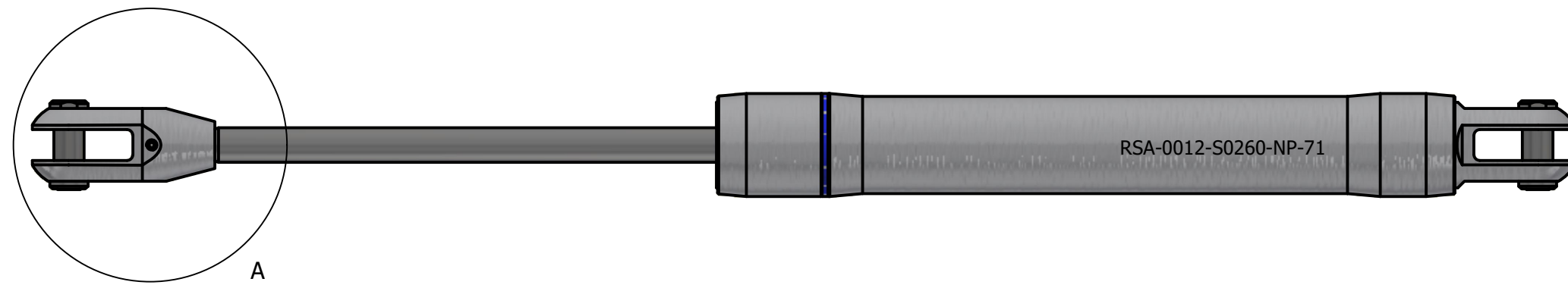
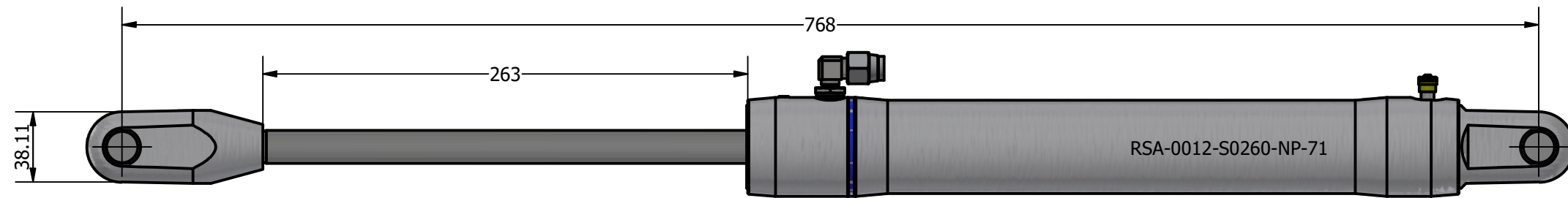
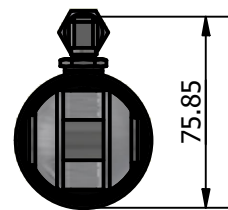
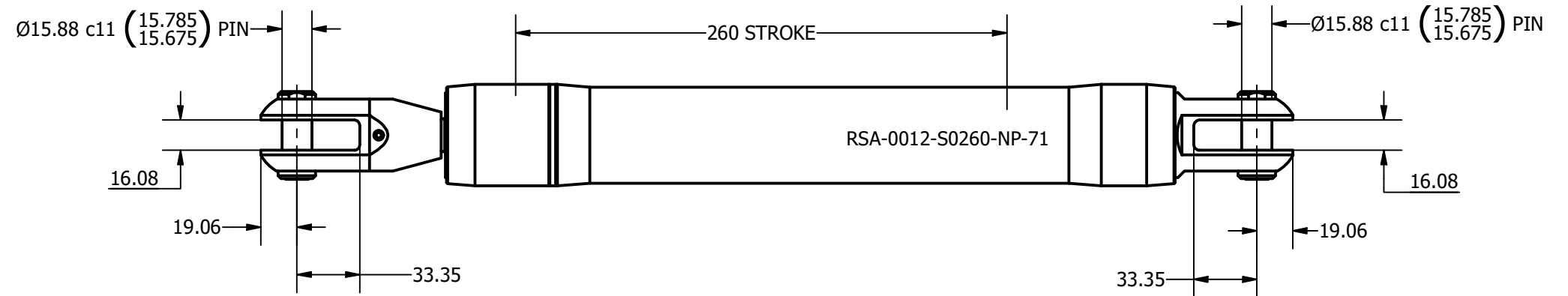
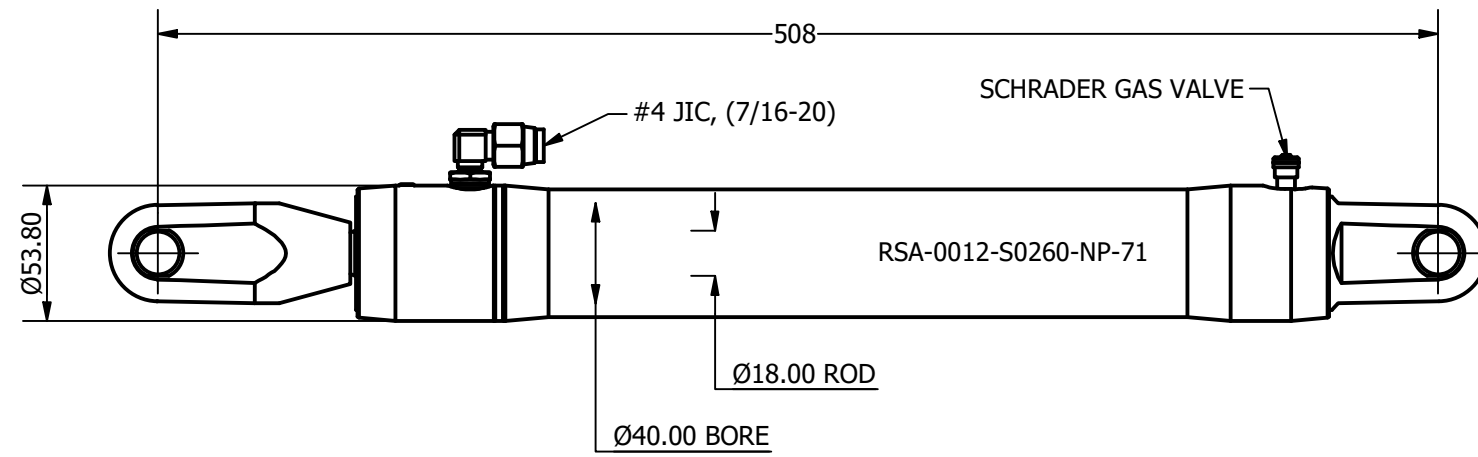


SIZE	-0012
PCLC	508 mm
PIN / GAP	15.88 mm
BORE DIA	40 mm
ROD DIA	18 mm
STROKE	260 mm
WEIGHT	2.2 Kg
FULL BORE AREA (PUSHING/EXTENDING)	1257 mm ²
ANNULUS AREA (PULLING/RETRACTING)	1002 mm ²
GAS DISPLACEMENT (FULL BORE SIDE)	0.33 ltrs
OIL DISPLACEMENT (ANNULUS SIDE)	0.26 ltrs
MAXIMUM PUSH FORCE @ 5 BAR	64 Kg (628 N)
PULL FORCE @ 150 BAR	1532 Kg (15033 N)
PULL FORCE @ 250 BAR	2554 Kg (25054 N)
MAX PULL FORCE @ 350 BAR (RELIEF)	3576 Kg (35076 N)



NOTE: CUSTOM STROKES, LENGTHS AND CLEVIS DIMENSIONS AVAILABLE UPON REQUEST

	Title ALUMINIUM SINGLE ACTING GAS RETURN CYLINDER		Revision A
	Drawing No. RSA-0012-S0260-NP-71		Date Drawn By 14/06/2017 LR
	Tel: +44 (0)1202 596630 www.oms.ltd		© Copyright. All rights to this drawing and design are the sole property of OMS Ltd. This drawing must not be copied, communicated or loaned to any third party without the written consent of OMS Ltd.