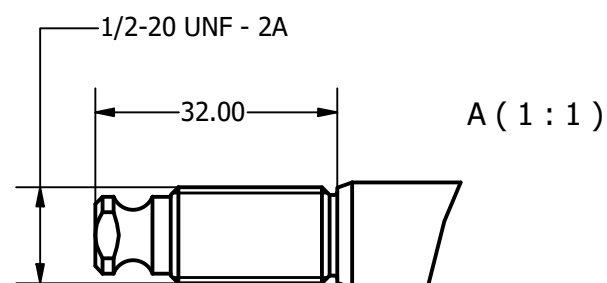
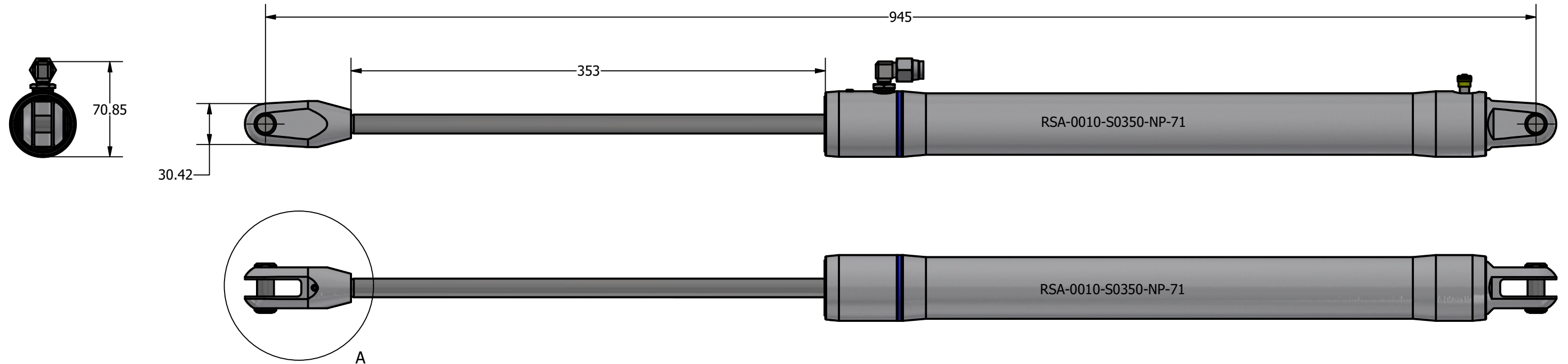
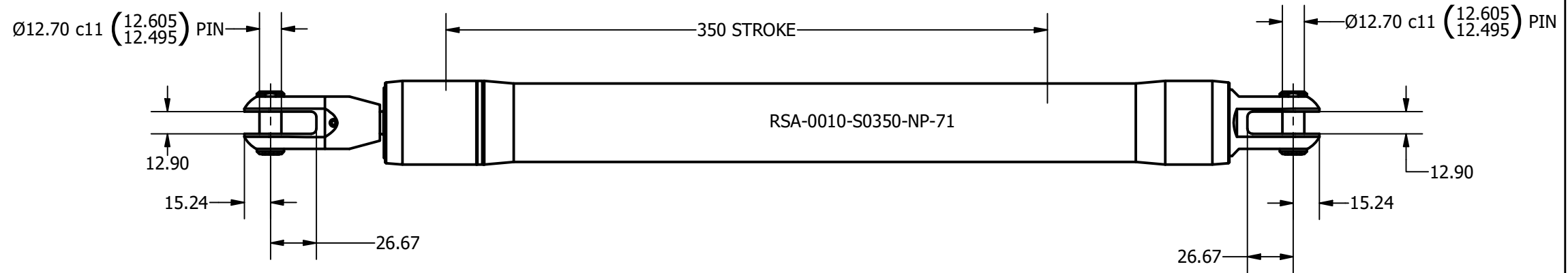
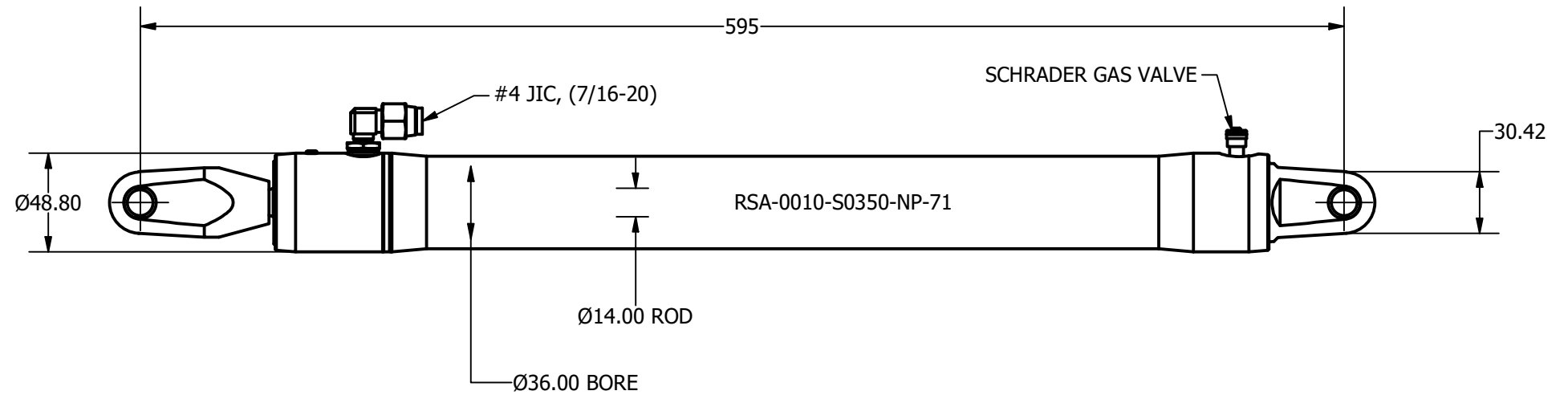


SIZE	-0010
PCLC	595 mm
PIN / GAP	12.7 mm
BORE DIA	36 mm
ROD DIA	14 mm
STROKE	350 mm
WEIGHT	1.96 Kg
FULL BORE AREA (PUSHING/EXTENDING)	1018 mm <sup>2</sup>
ANNULUS AREA (PULLING/RETRACTING)	864 mm <sup>2</sup>
GAS DISPLACEMENT (FULL BORE SIDE)	0.36 ltrs
OIL DISPLACEMENT (ANNULUS SIDE)	0.30 ltrs
MAXIMUM PUSH FORCE @ 5 BAR	52 Kg (509 N)
PULL FORCE @ 150 BAR	1321 Kg (12959 N)
PULL FORCE @ 250 BAR	2202 Kg (21598 N)
MAX PULL FORCE @ 350 BAR (RELIEF)	3082 Kg (30238 N)



**OMS**  
Ocean Marine Systems

Title ALUMINIUM SINGLE ACTING GAS RETURN CYLINDER		Revision A
Drawing No. RSA-0010-S0350-NP-71		Date Drawn 01/03/2021
Tel: +44 (0)1202 596630 www.oms.ltd		By CR
© Copyright. All rights to this drawing and design are the sole property of OMS Ltd. This drawing must not be copied, communicated or loaned to any third party without the written consent of OMS Ltd.		