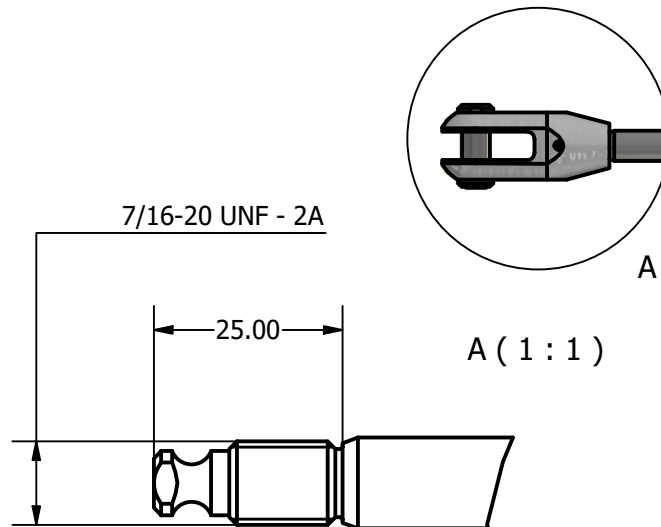
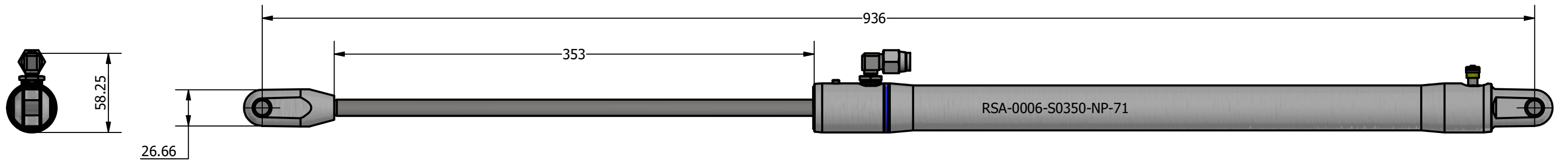
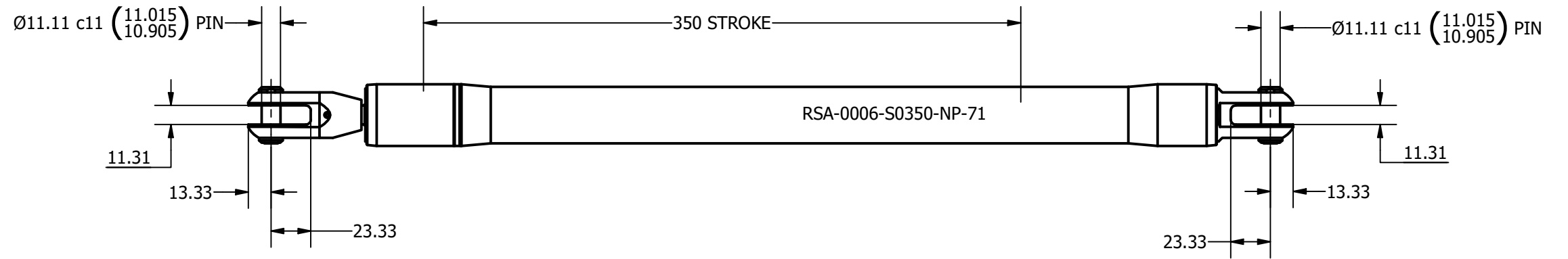
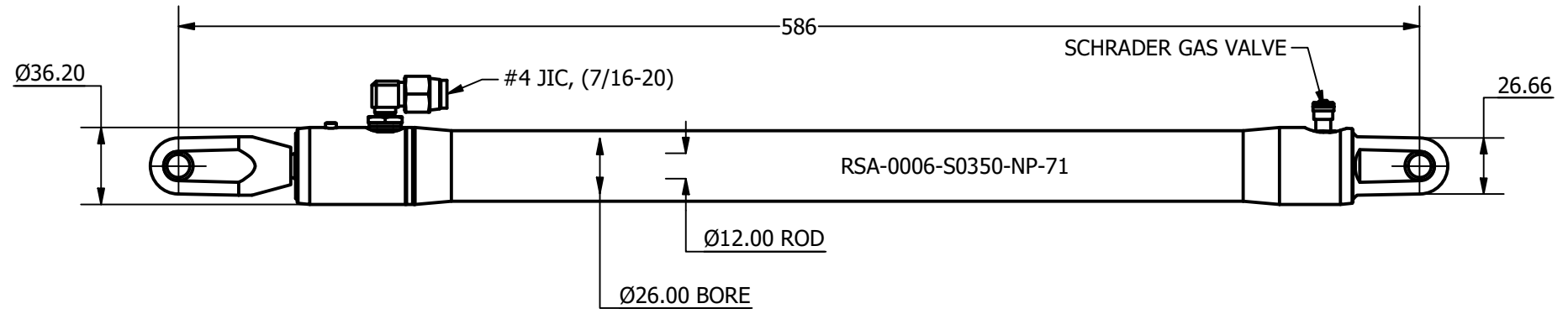


SIZE	-0006
PCLC	586 mm
PIN / GAP	11.11 mm
BORE DIA	26 mm
ROD DIA	12 mm
STROKE	350 mm
WEIGHT	1.20 Kg
FULL BORE AREA (PUSHING/EXTENDING)	531 mm ²
ANNULUS AREA (PULLING/RETRACTING)	418 mm ²
GAS DISPLACEMENT (FULL BORE SIDE)	0.19 ltrs
OIL DISPLACEMENT (ANNULUS SIDE)	0.15 ltrs
MAXIMUM PUSH FORCE @ 4 BAR	22 Kg (212 N)
PULL FORCE @ 150 BAR	639 Kg (6267 N)
PULL FORCE @ 250 BAR	1065 Kg (10446 N)
MAX PULL FORCE @ 350 BAR (RELIEF)	1491 Kg (14624 N)



NOTE: CUSTOM STROKES, LENGTHS AND CLEVIS DIMENSIONS AVAILABLE UPON REQUEST



OMS
Ocean Marine Systems

Title ALUMINIUM SINGLE ACTING GAS RETURN CYLINDER		Revision 3
Drawing No. RSA-0006-S0350-NP-71		Date Drawn 20/10/2021
Tel: +44 (0)1202 596630 www.oms.ltd		By AL
© Copyright. All rights to this drawing and design are the sole property of OMS Ltd. This drawing must not be copied, communicated or loaned to any third party without the written consent of OMS Ltd.		