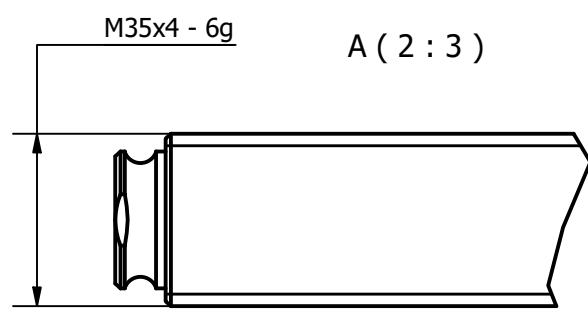
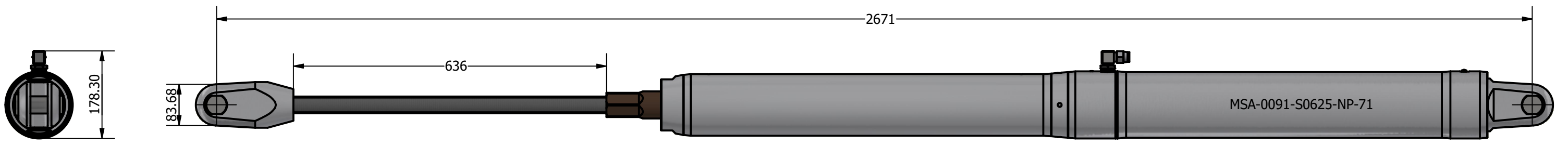
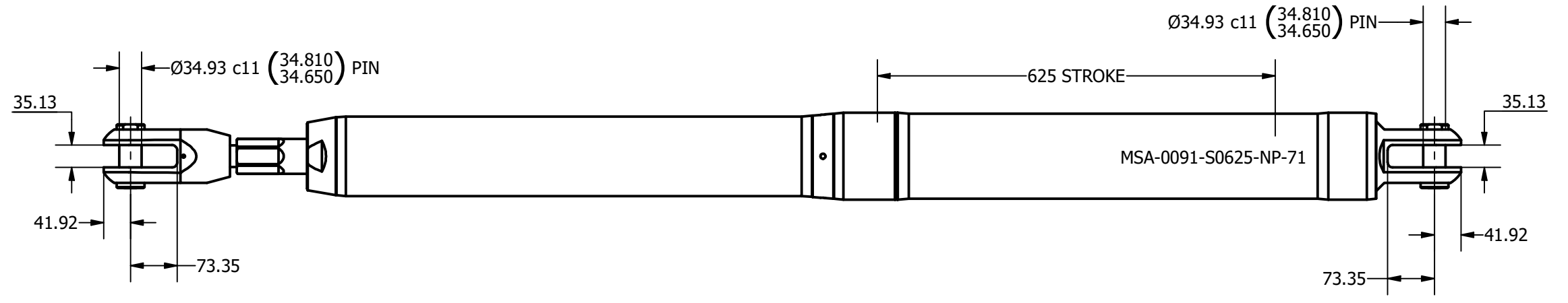
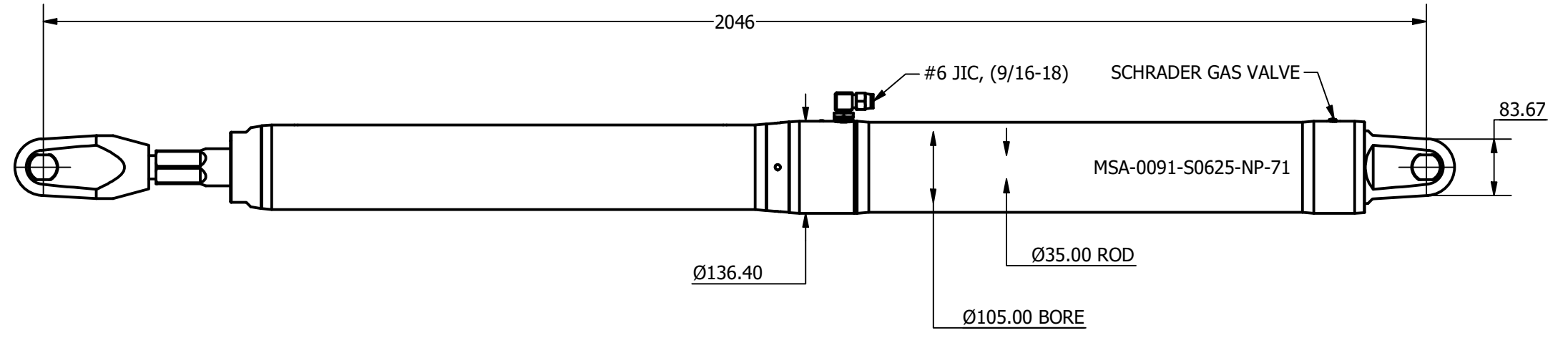


SIZE	-0091
PCLC	2046 mm
PIN / GAP	34.93 mm
BORE DIA	105 mm
ROD DIA	35 mm
STROKE	625 mm
WEIGHT	52.66 Kg
FULL BORE AREA (PUSHING/EXTENDING)	8659 mm <sup>2</sup>
ANNULUS AREA (PULLING/RETRACTING)	7697 mm <sup>2</sup>
GAS DISPLACEMENT (FULL BORE SIDE)	5.41 ltrs
OIL DISPLACEMENT (ANNULUS SIDE)	4.81 ltrs
MAXIMUM PUSH FORCE @ 5 BAR	441 Kg (4330 N)
PULL FORCE @ 150 BAR	11769 Kg (115454 N)
PULL FORCE @ 250 BAR	19615 Kg (192423 N)
MAX PULL FORCE @ 350 BAR (RELIEF)	27461 Kg (269392 N)



**NOTE: CUSTOM STROKES, LENGTHS AND CLEVIS DIMENSIONS AVAILABLE UPON REQUEST**

	Title ALUMINIUM SINGLE ACTING MECHANICAL LOCK CYLINDER		Revision 2
	Drawing No. MSA-0091-S0625-NP-71		Date Drawn 01/11/2021
	Tel: +44 (0)1202 596630 www.oms.ltd		By AL

© Copyright. All rights to this drawing and design are the sole property of OMS Ltd. This drawing must not be copied, communicated or loaned to any third party without the written consent of OMS Ltd.