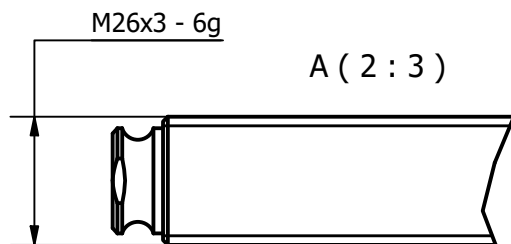
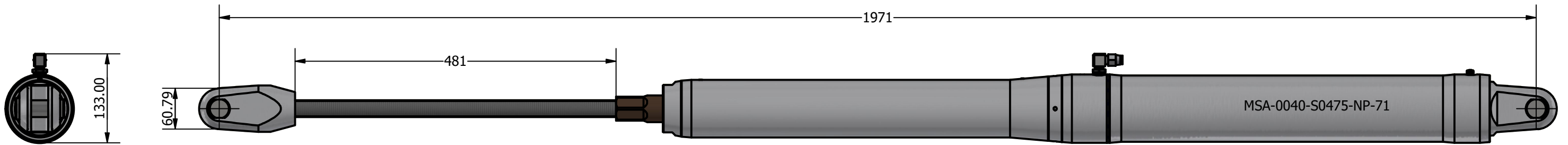
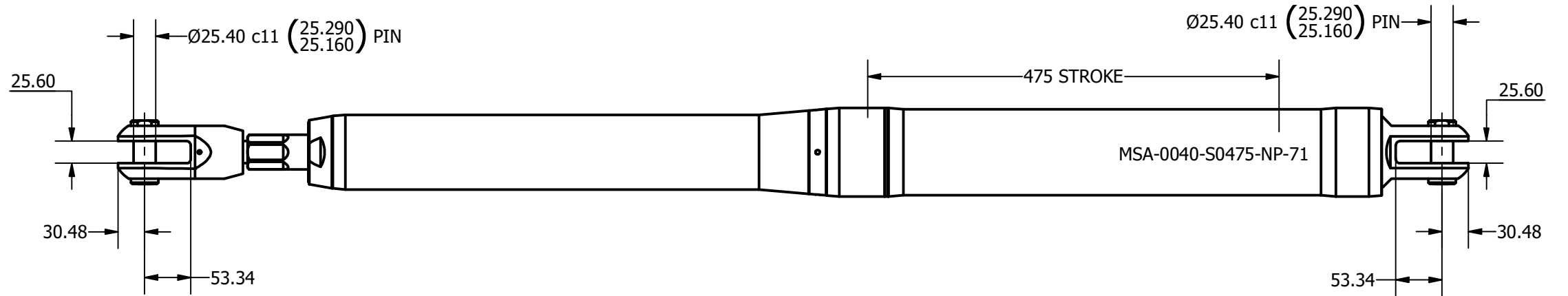
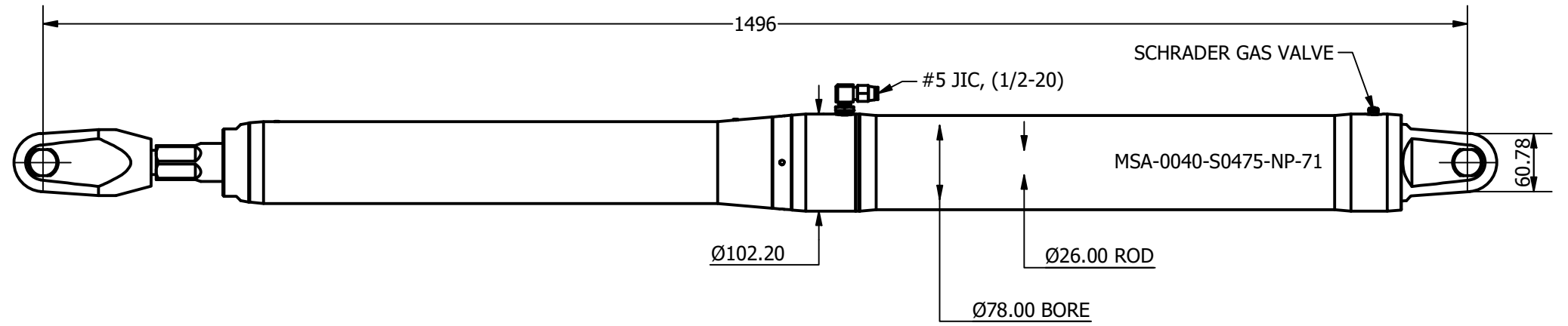


| | |
|------------------------------------|----------------------|
| SIZE | -0040 |
| PCLC | 1496 mm |
| PIN / GAP | 25.4 mm |
| BORE DIA | 78 mm |
| ROD DIA | 26 mm |
| STROKE | 475 mm |
| WEIGHT | 20.38 Kg |
| FULL BORE AREA (PUSHING/EXTENDING) | 4778 mm ² |
| ANNULUS AREA (PULLING/RETRACTING) | 4247 mm ² |
| GAS DISPLACEMENT (FULL BORE SIDE) | 2.27 ltrs |
| OIL DISPLACEMENT (ANNULUS SIDE) | 2.02 ltrs |
| MAXIMUM PUSH FORCE @ 5 BAR | 244 Kg (2389 N) |
| PULL FORCE @ 150 BAR | 6495 Kg (63711 N) |
| PULL FORCE @ 250 BAR | 10824 Kg (106186 N) |
| MAX PULL FORCE @ 350 BAR (RELIEF) | 15154 Kg (148660 N) |



NOTE: CUSTOM STROKES, LENGTHS AND CLEVIS DIMENSIONS AVAILABLE UPON REQUEST

| | | | |
|---|---|--|--------------------------|
|  | Title ALUMINIUM SINGLE ACTING MECHANICAL LOCK CYLINDER | | Revision 2 |
| | Drawing No. MSA-0040-S0475-NP-71 | | Date Drawn 29/10/2021 |
| | Tel: +44 (0)1202 596630 www.oms.ltd | | By AL |

© Copyright. All rights to this drawing and design are the sole property of OMS Ltd. This drawing must not be copied, communicated or loaned to any third party without the written consent of OMS Ltd.