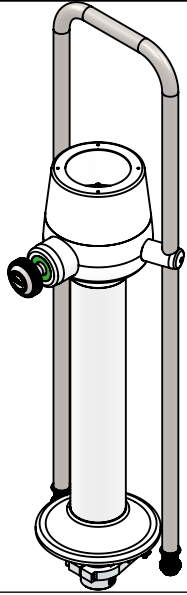


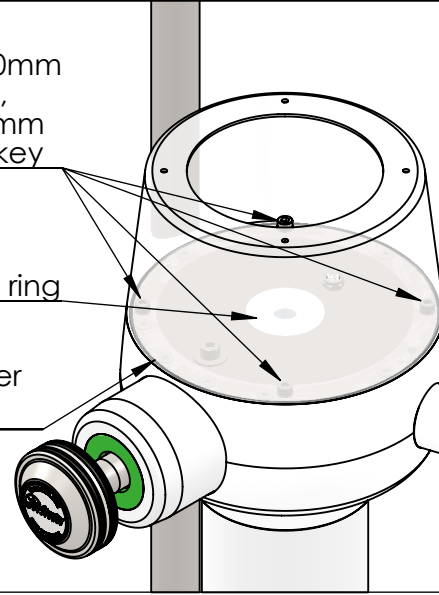
Manual for changing top bearing on Jefa RP100 pedestal



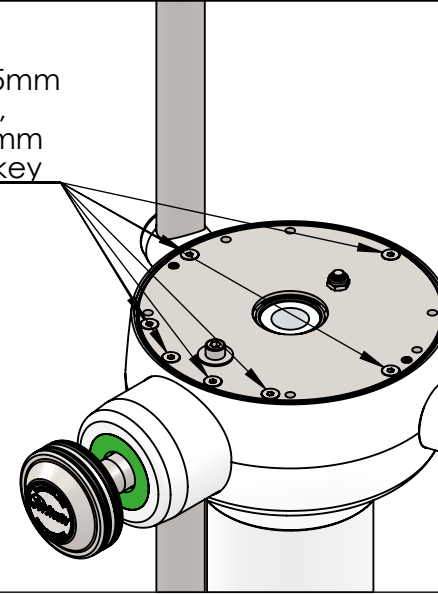
4pcs
M6x30mm
screw,
use 5mm
allen key

White
plastic ring

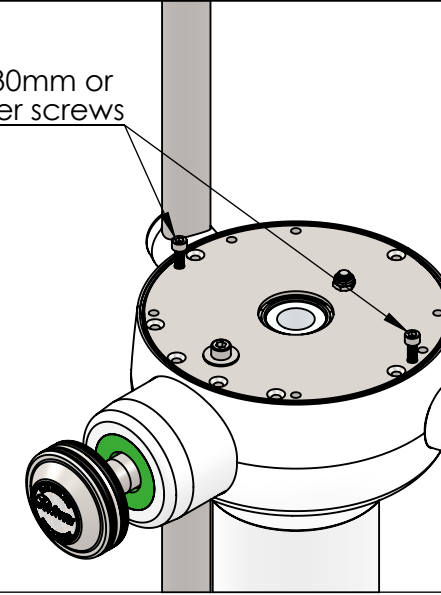
Rubber
o-ring



7psc
M6x25mm
screw,
use 4mm
allen key



2psc
M6x30mm or
longer screws

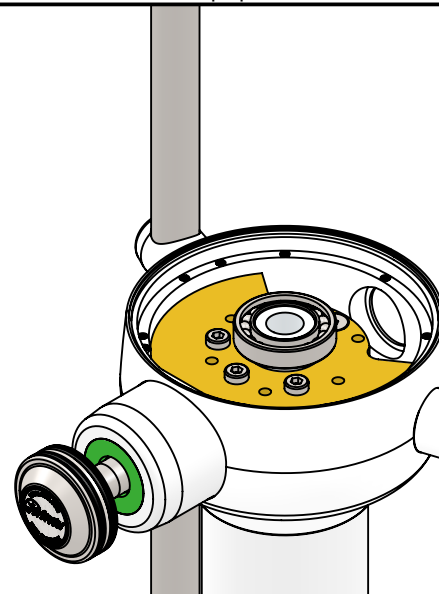
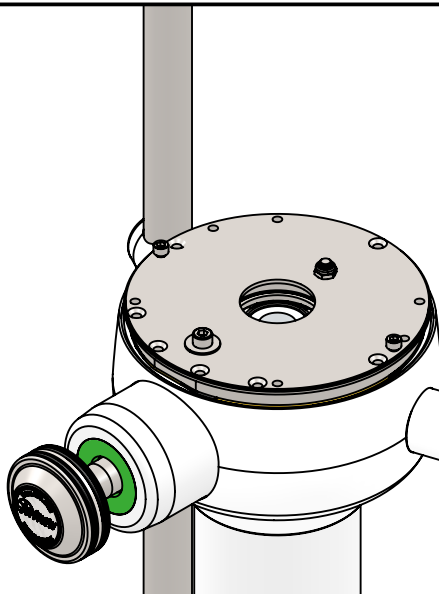


1. This manual is a guide to change the top bearing on RP100. Remove the compass from the binnacle housing.

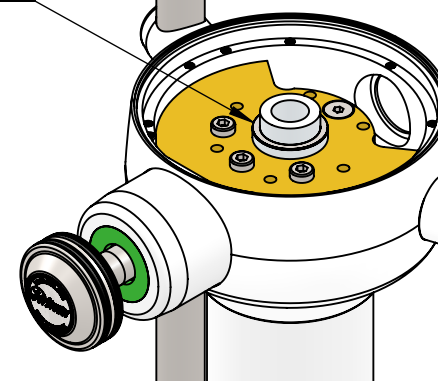
2. Unscrew the 4pcs of screws for the binnacle housing. Then remove the binnacle house, the rubber o-ring underneath, and the white plastic ring in the middle of the top plate,

3. Unscrew 7pcs of countersunk screws from the top plate.

4. Mount 2pcs M6 screws, which are at least 30mm long, in the two threads located in the top plate.



Shims



Clean before assembling the pedestal top, and make sure that the pedestal is water tight while assembling. Use grease on o-ring to further waterproof your pedestal.

When you have assembled the pedestal top, changing of the top bearing is done.

5. Continue tightening the M6 screws one by one to slowly lift the top plate out of the top housing of the pedestal.

6. Removing the top plate can be difficult, and in some cases the pedestal downtube will follow.

7. Remove the top bearing but make sure you don't loose any shims between the top bearing and the downtube.



Jefa steering ApS
Agenavej 43
2670 Greve
Denmark

Tlf: +45 4515 5210
Fax: +45 4369 5211
Email: info@jefa.com
www.jefa.com