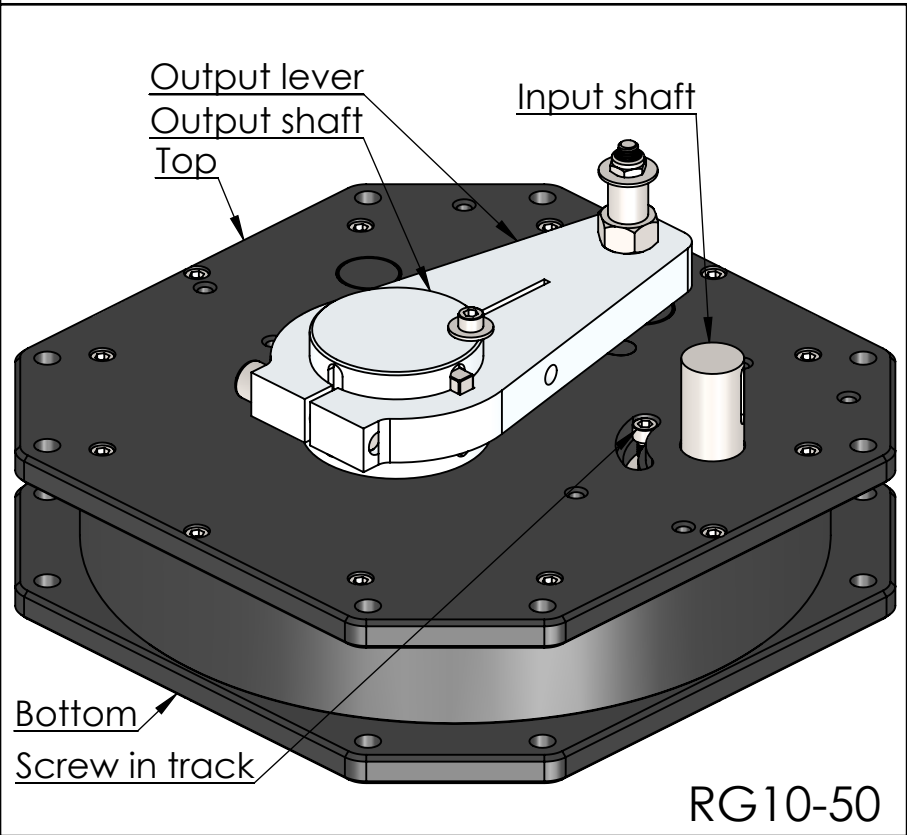


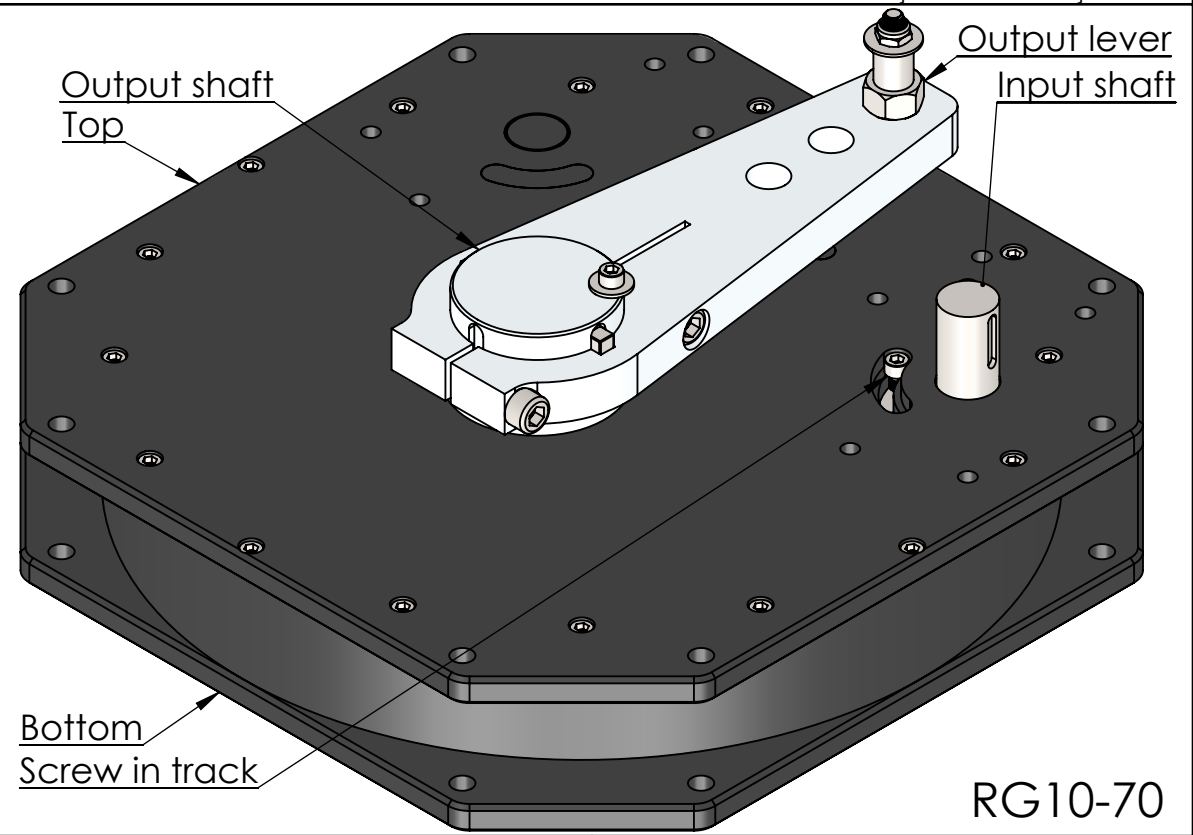
# RG10-50 & RG10-70 maintenance guide



Jefa Steering ApS  
 Agerhøvej 43, 2670 Greve, Denmark  
 Phone: +45 4515 5210 Fax: +45 4369 5211  
 Email: info@jefa.com www.jefa.com



RG10-50



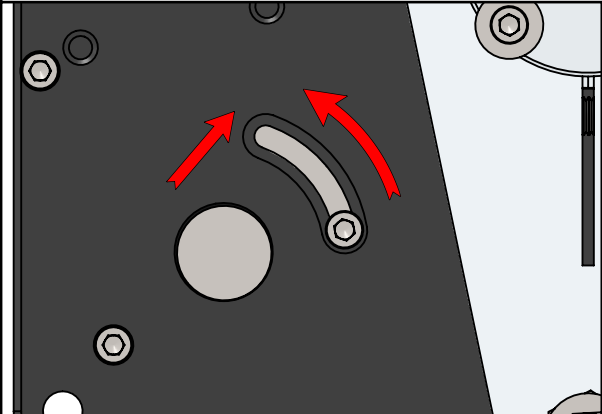
RG10-70

When having play in your RG10-50 (picture at the left) or RG10-70 (picture at the right), maintenance is quite direct.

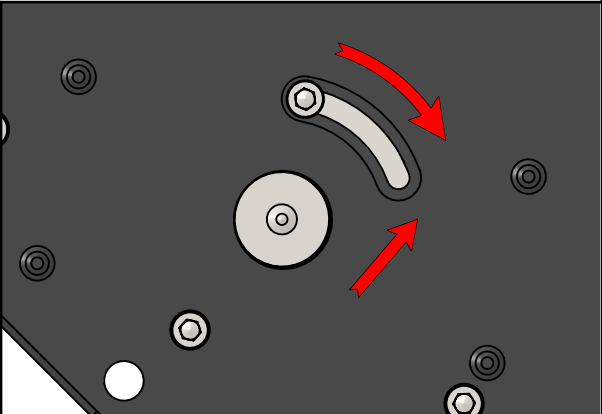
When looking at the top of the gearbox (top being where you see the output shaft and output lever) find where your input shaft is located, it can go through both the top and the bottom of the gearbox.

The input shaft is mounted in two eccentrics located in the top and the bottom of the gearbox. Loosen the 2pcs of screw in tracks to be able to rotate the eccentrics.

Rotating the eccentrics counter clockwise, when looking at the top of the gearbox, will move the gearwheels closer together and remove the play in your gearbox. It is very important that the 2pcs of screw in tracks are located right over each other. When satisfied, tighten the screws, and the maintenance of your gearbox is done.



When looking at the top of the gearbox, you can rotate the eccentrics counterclockwise to push the gearwheels closer together, and remove play.



When looking at the bottom of the gearbox, you can rotate the eccentrics clockwise to push the gearwheels closer together, and remove play.