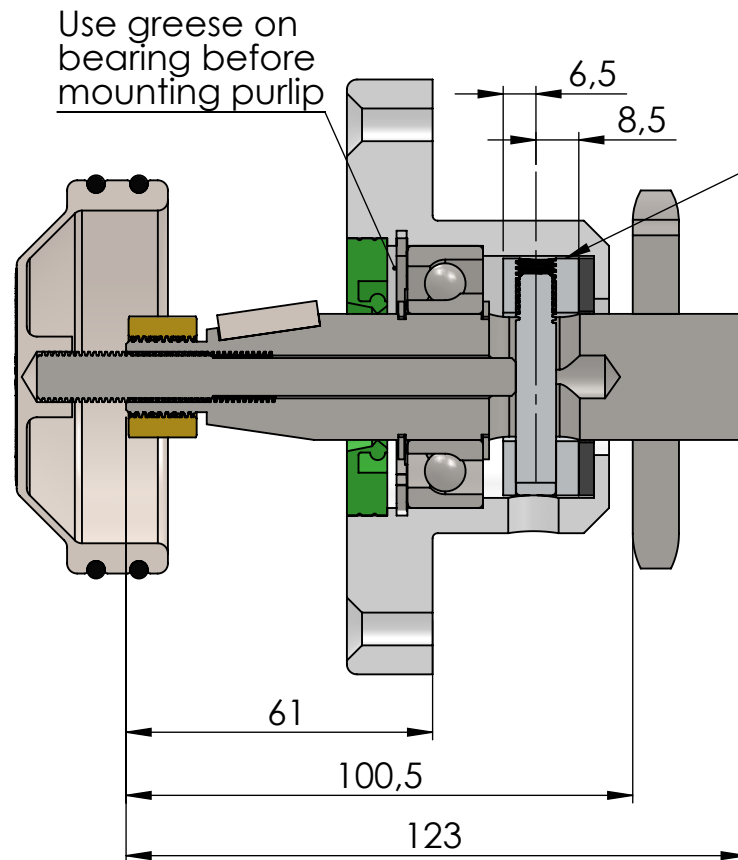
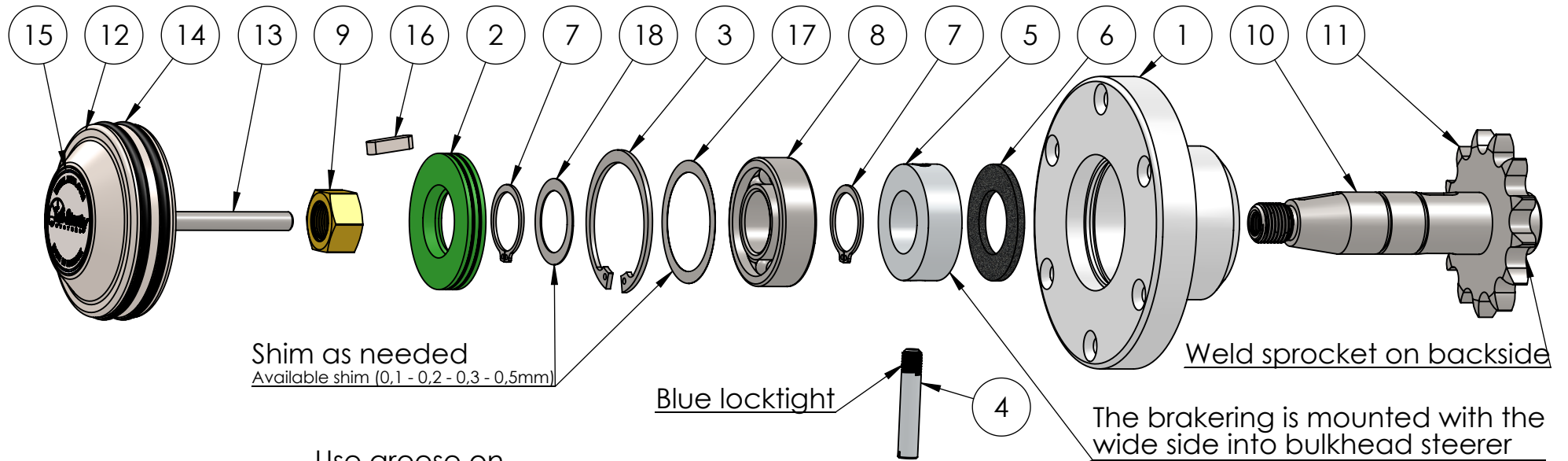


# BS50 - Jefa bulkhead steerer 25mm shaft 13-19th sprocket



ITEM NO.	BS50 partlist	QTY.
1	Z9-108 X50-55-65 Bulkhead steerer	1
2	ZP1-255508 Purlip seal $\varnothing 25 \times \varnothing 55$	1
3	Z-DIN0472-J55 Circlip inside J55 DIN472	1
4	Z4-170 Brake pinion $\varnothing 8 \times 44$ mm stainless	1
5	Z4-165 Brakering for input socket $\varnothing 47$	1
6	ZP6-160 Brakeplate 47x26x3mm	1
7	Z-DIN0471-A25 Lockring outside A25 DIN471	2
8	ZBB-6205 ballbearing 2RS 25x52x15mm	1
9	Z3-083 nut 5-8UNF brass	1
10	Z9-145 Input shaft X50-X55-X65	1
11	Z4-185 13th Roller chain wheel	1
12	Z4-375 Spinner brake hub	1
13	Z4-386S Spinnershaft short	1
14	ZP3-102 O-ring 58,74x3,35	2
15	ZB0405 Jefa label round $\varnothing 44$ mm clear with blue logo	1
16	Z-DIN6885-5x5x20	1
17	Z-DIN0988-40x50x0.1 Shim Support Ring $\varnothing 40 \times \varnothing 50 \times 0.1$ mm	1
18	Z-DIN0988-25x35x0.5 Shim Support Ring $\varnothing 25 \times \varnothing 35 \times 0.5$ mm	1