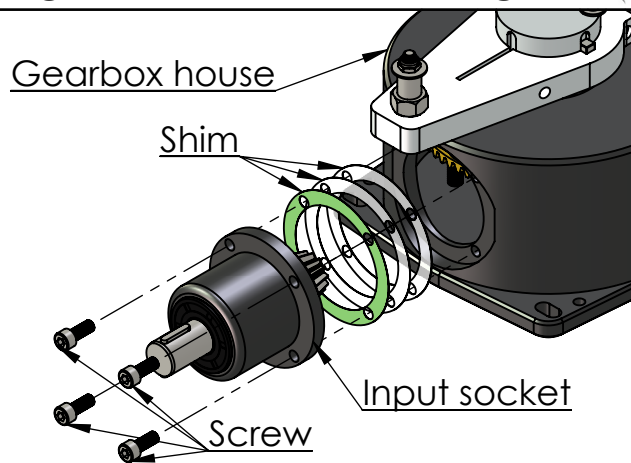
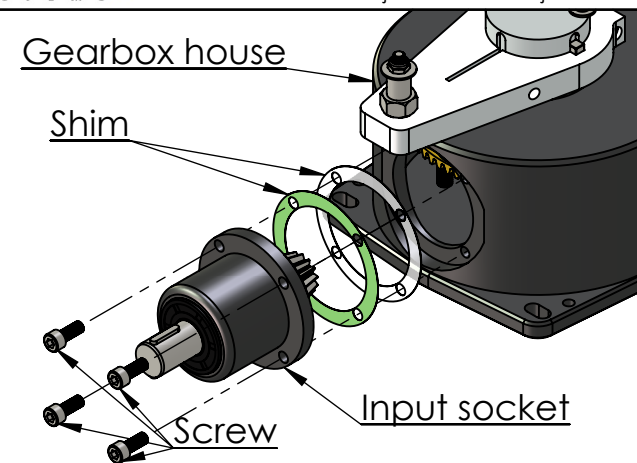


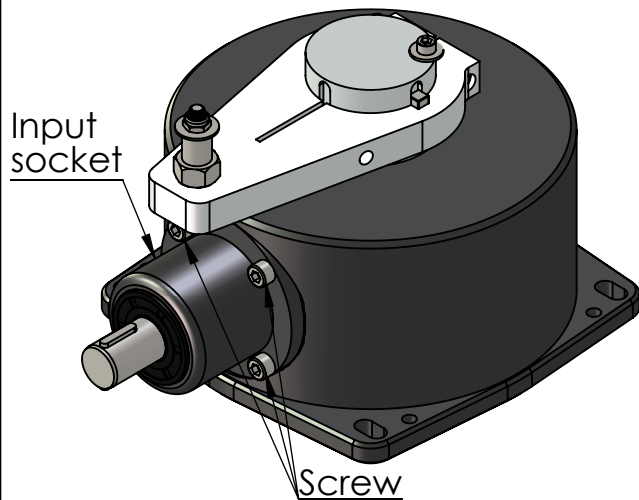
1. If you have play in your Jefa BRG10-50, then dismount the gearbox from the system.



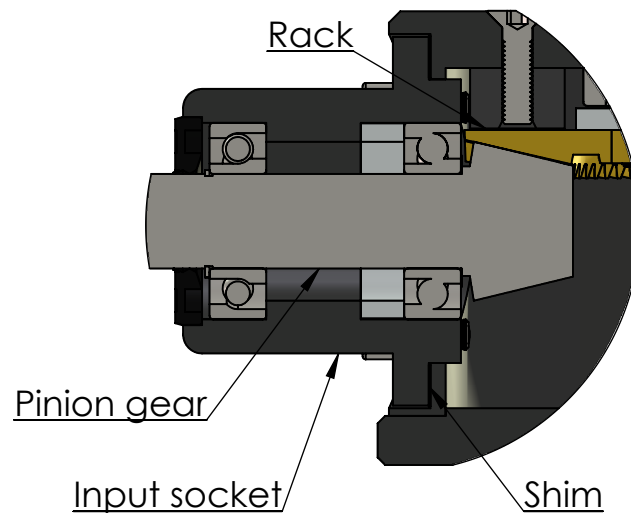
2. Unscrew 4pcs of screws to dismount the input socket from the gearbox house. The shims are now revealed.



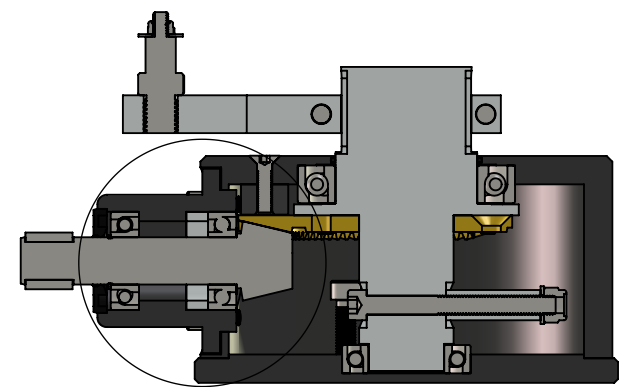
3. Remove only one of the shims. Note: The shims can have different thickness, and fine adjustment can be made by choosing to remove a thicker/thinner shim.



4. Mount the input socket, with the needed shims, on the gearbox, then mount the 4pcs of screws



5. When removing shims, you allow the input socket to push the pinion gear closer to the rack. If they are pushed too close to each other the effect is that the gearbox turns too hard or not at all. The gearbox is greased for life. No additional grease needed



6. It is allowed to have a little bit toothy feeling when you turn the input shaft by hand. If you still have play in your gearbox, or if it has become too hard to turn, then go through the guide again. Maintenance of the gearbox is done.