

Propeller 23" – 25" – 27" – 29" – 32" Overdrive for shaft

- A) Disassemble complete propeller hub for mounting
- B) Assemble hub on shaft
- C) Exchange of "rubber blade stop"
- D) Exchange of "zinc anodes"
- E) Cleaning of "Gearwheel"
- F) Spare Parts List
- G) Supplied Tools

DK

Læs instruktionen før der arbejdes med propellen.

Vigtigt!

Udskift zink hvis de er korroderet mere end 50%.

Advarsel!

Pas på skarpe kanter.

GB

Read the Instructions before any work on the propeller.

Important!

Replace Zinc if eroded more than 50%.

Warning!

Beware of sharp edges.

D

Bitte die Anweisung lesen, bevor Sie mit dem Propeller arbeiten.

Wichtig!

Zinkteile auswechseln, wenn sie mehr als 50% korrodiert sind.

Warnung!

Achten Sie auf die scharfe Kanten.

F

Lire les instructions avant toute intervention sur l'hélice

Important!

Remplacer l'anode zinc si elle est corrodé à plus de 50%

Attention!

Attention aux bords coupants

IT

Leggere attentamente le Istruzioni prima di qualsiasi operazione sull'elica.

Importante!

Sostituire l'anodo di zinco se usurato più del 50%

Avvertenza!

Prestare attenzione alle parti taglienti

ESP

Lea las instrucciones antes de efectuar cualquier trabajo en la hélice.

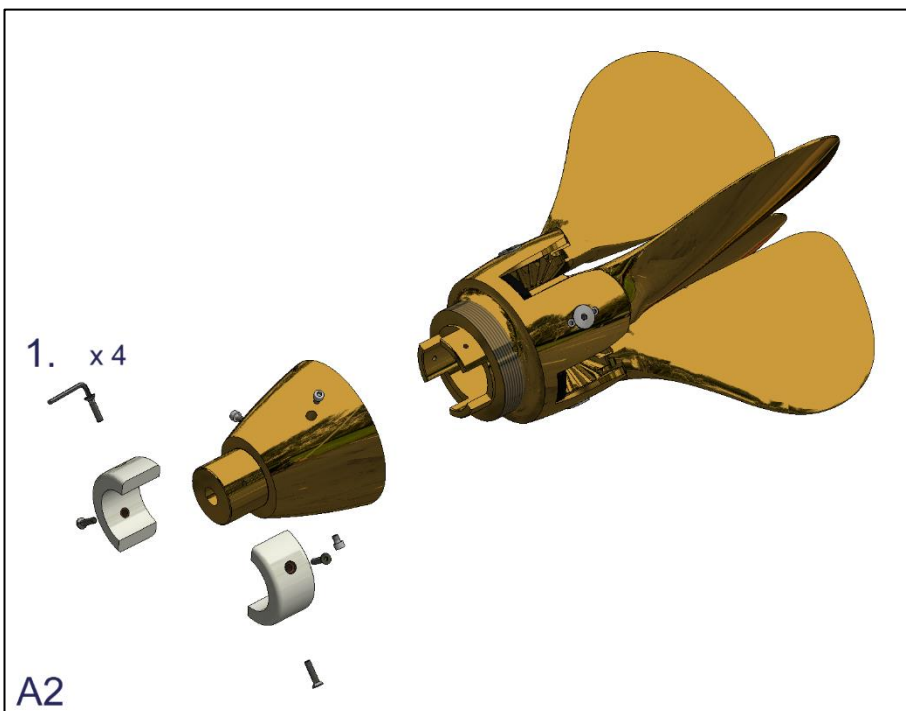
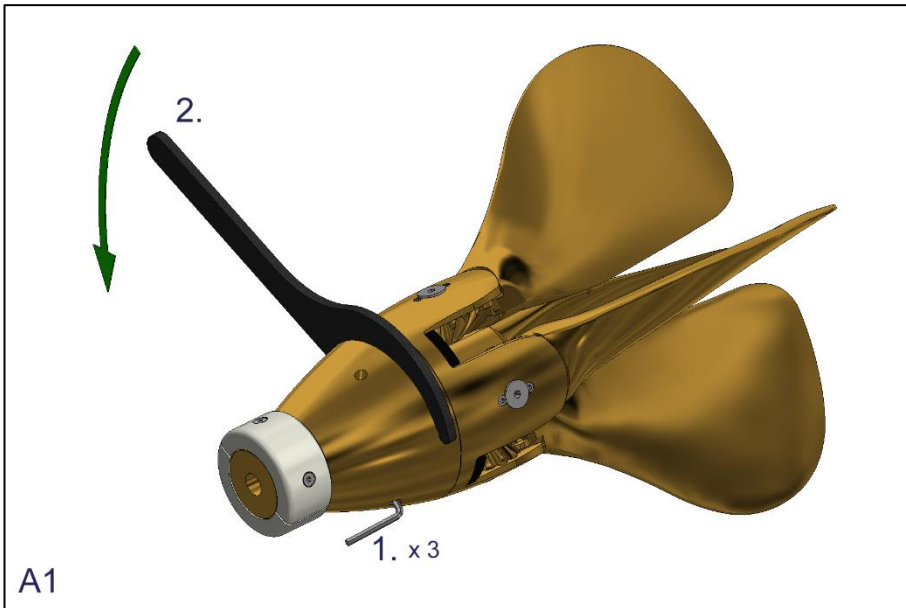
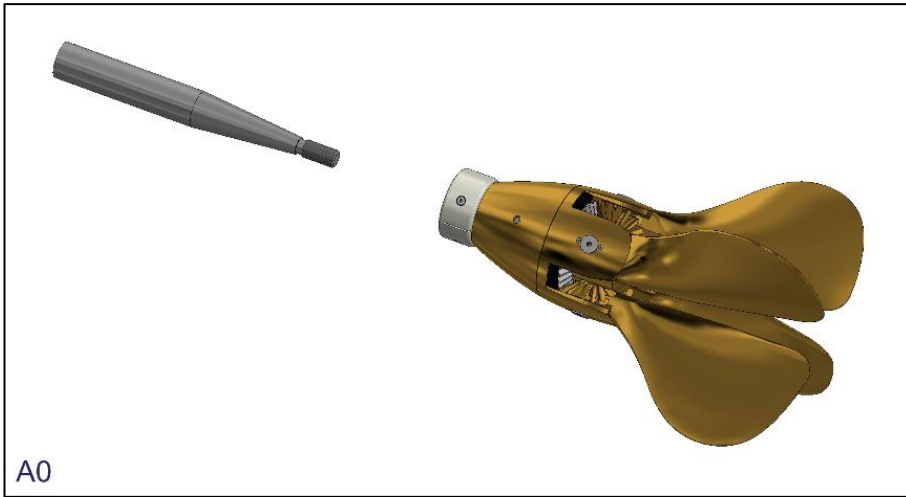
¡ Importante !

Reemplazar el ánodo si observa mas de un 50 % de corrosión.

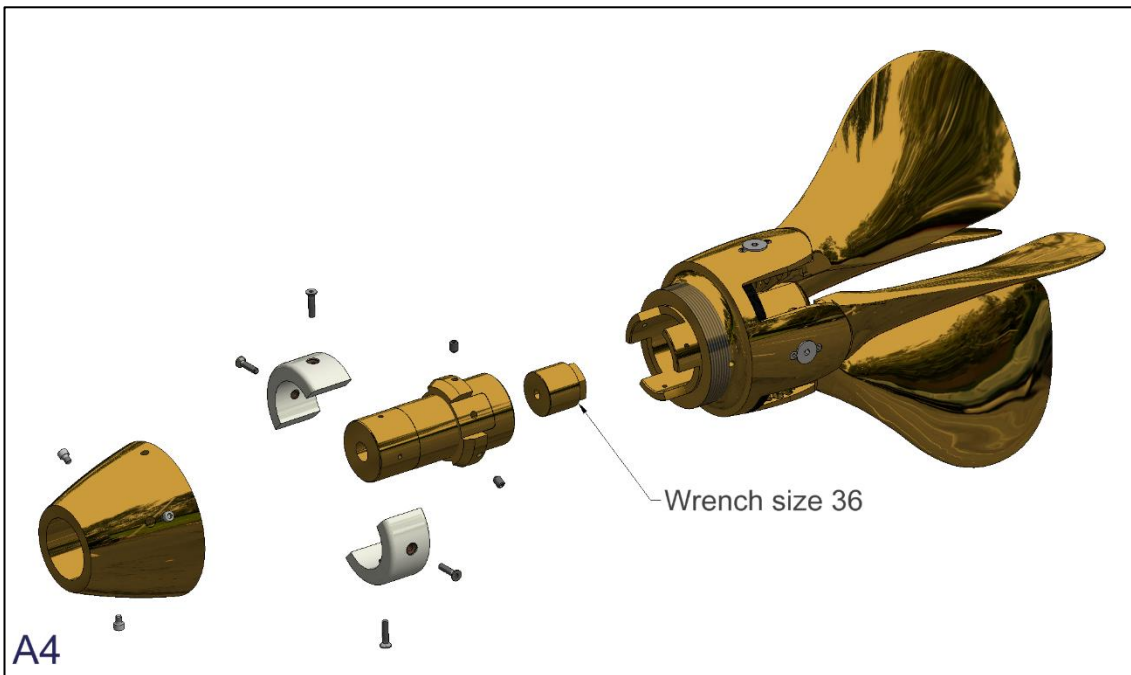
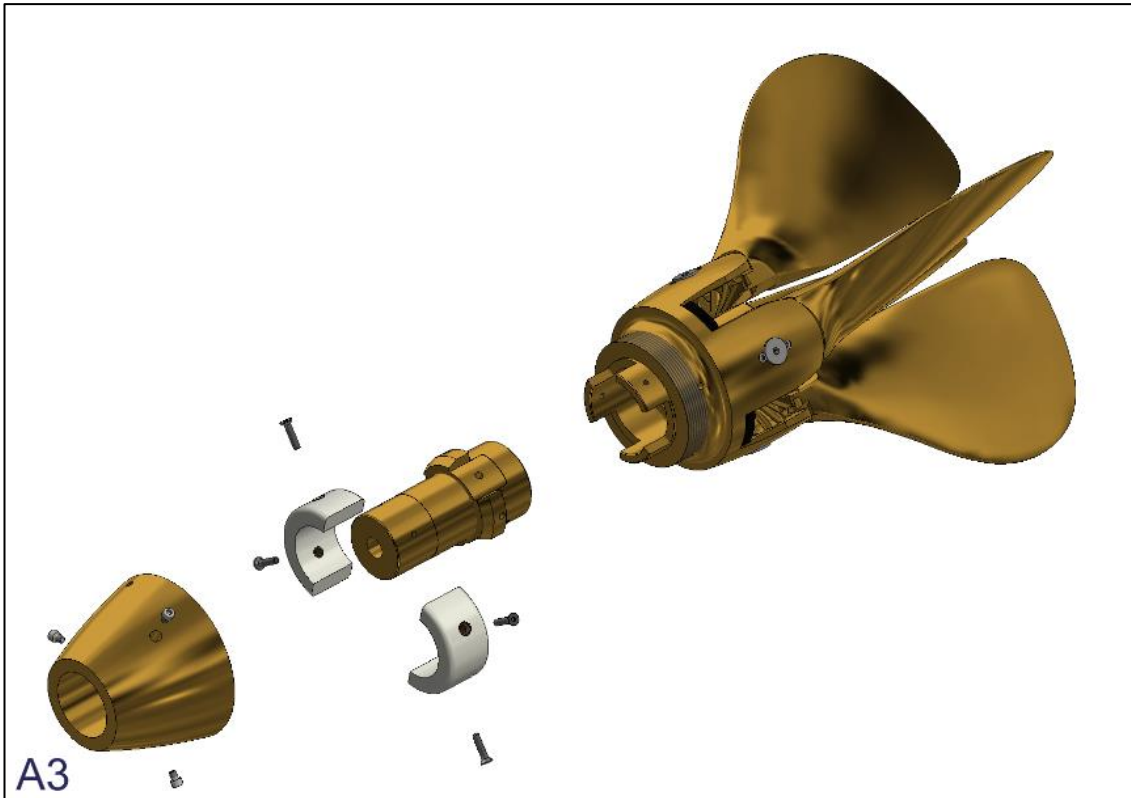
¡ Advertencia !

Tenga cuidado con las esquinas afiladas.

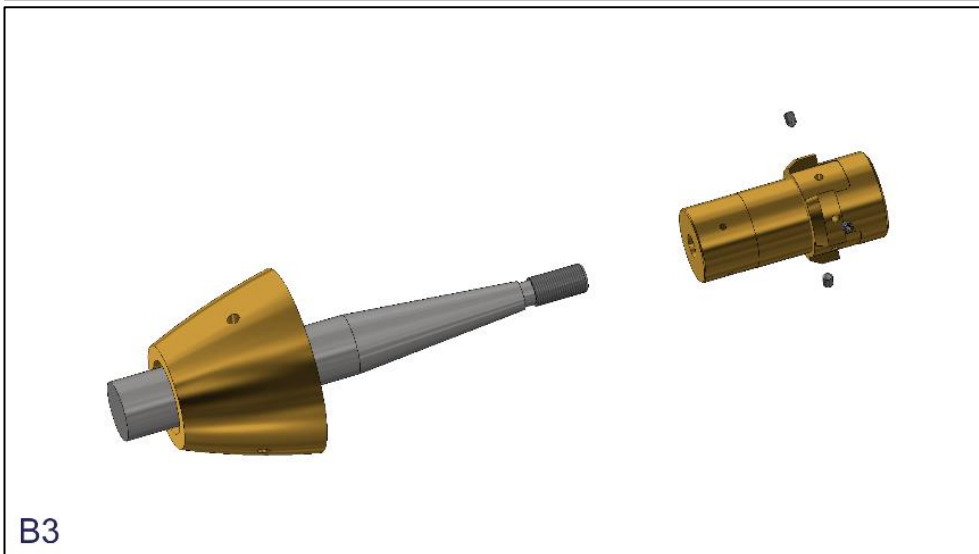
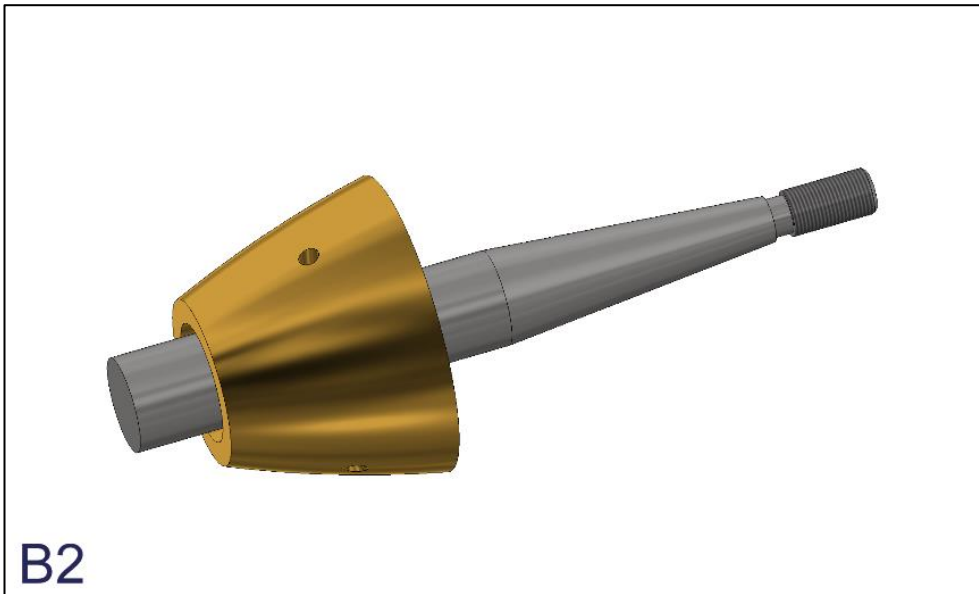
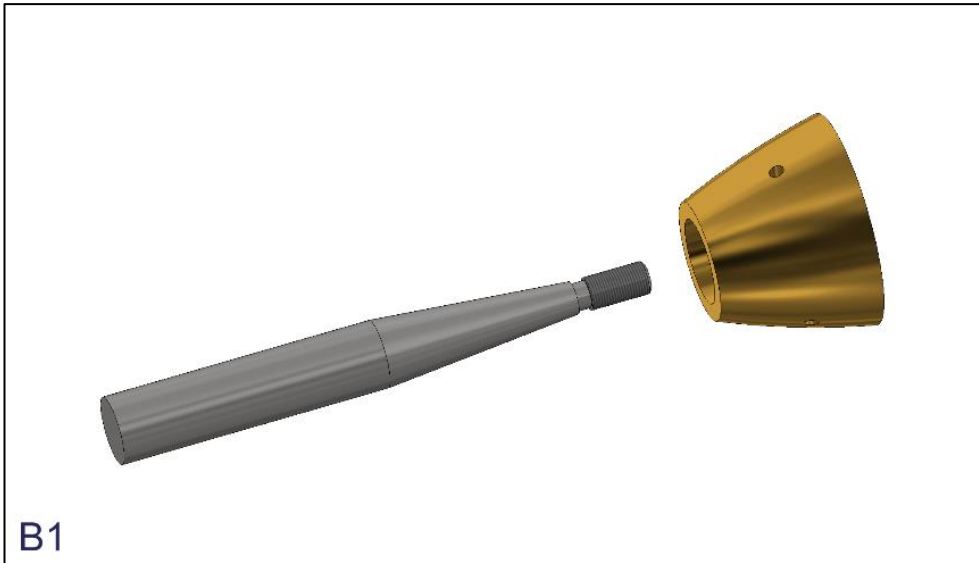
Disassemble complete propeller hub for mounting – (A)

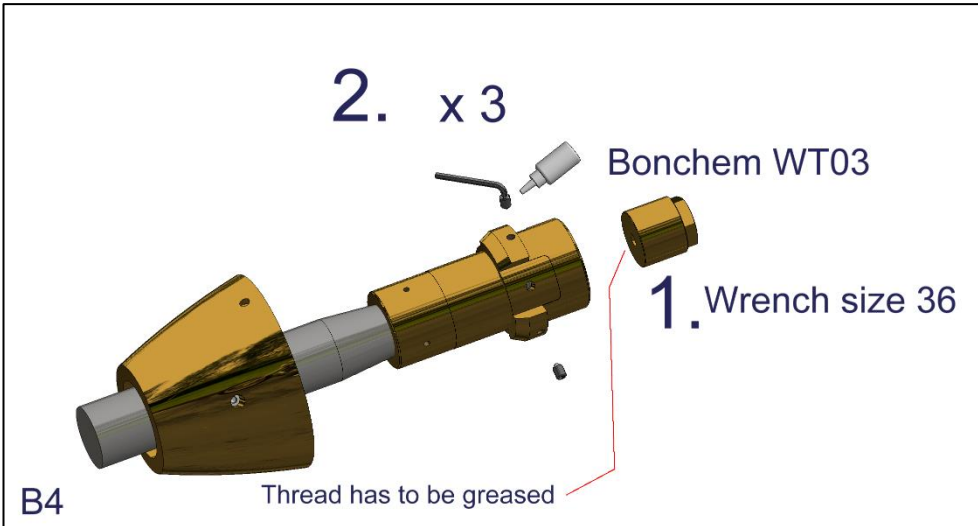


Disassemble complete propeller hub for mounting – (A)



Assemble hub on shaft – (B)

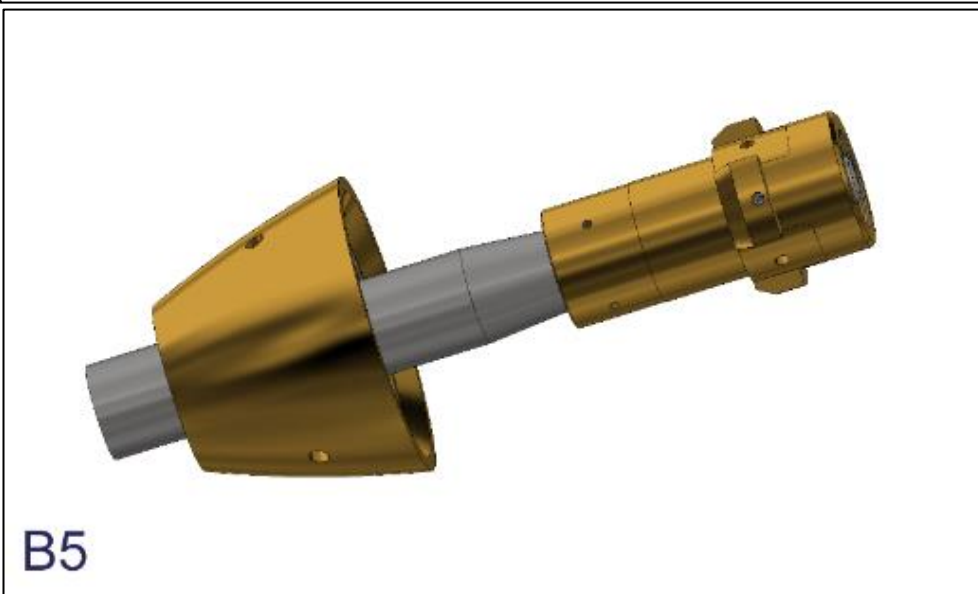


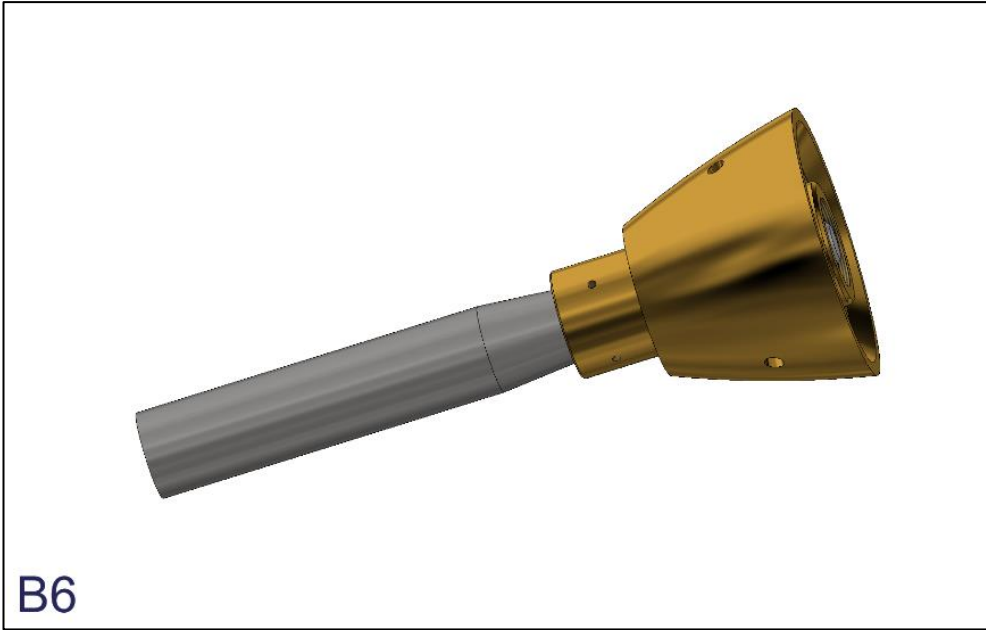


Torque settings for Gori shaft nuts in Nm

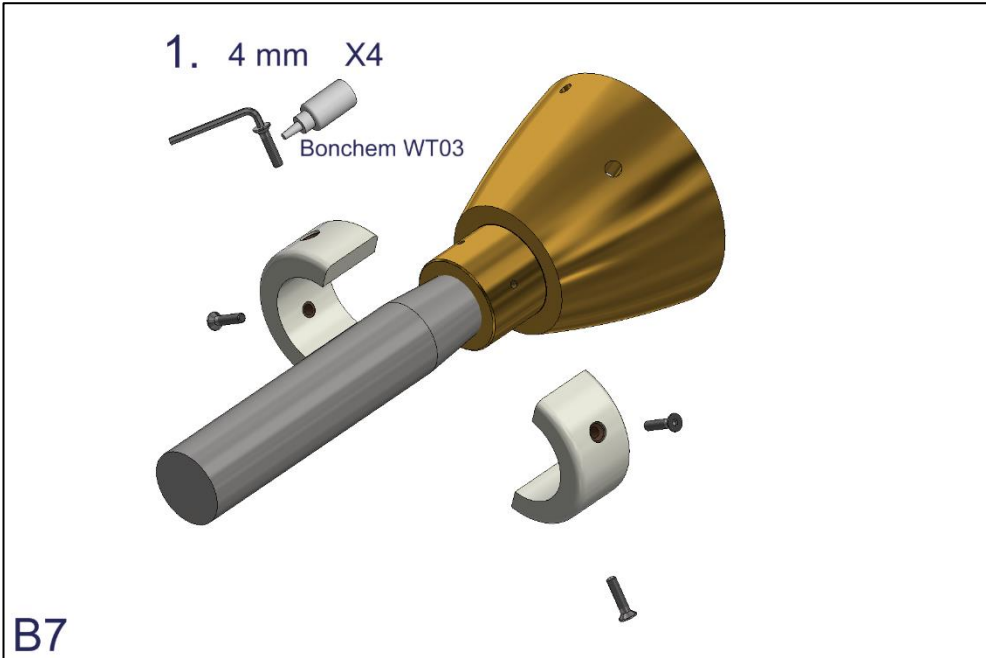
Norm Thread	Material soft	Material medium and stronger
Shaft material unit	(AISI 316 / 1.4404) Nm	(SAF 2205 / 1.4462) Nm
3/4" UNC	130	260
M20x2.5	130	270
M20x2	135	275
7/8" UNC	150	300
M24x2	170	340
1" UNC	175	350
1" UNF	180	360
M27x2	200	400
M30x3	250	500

Thread has to be greased

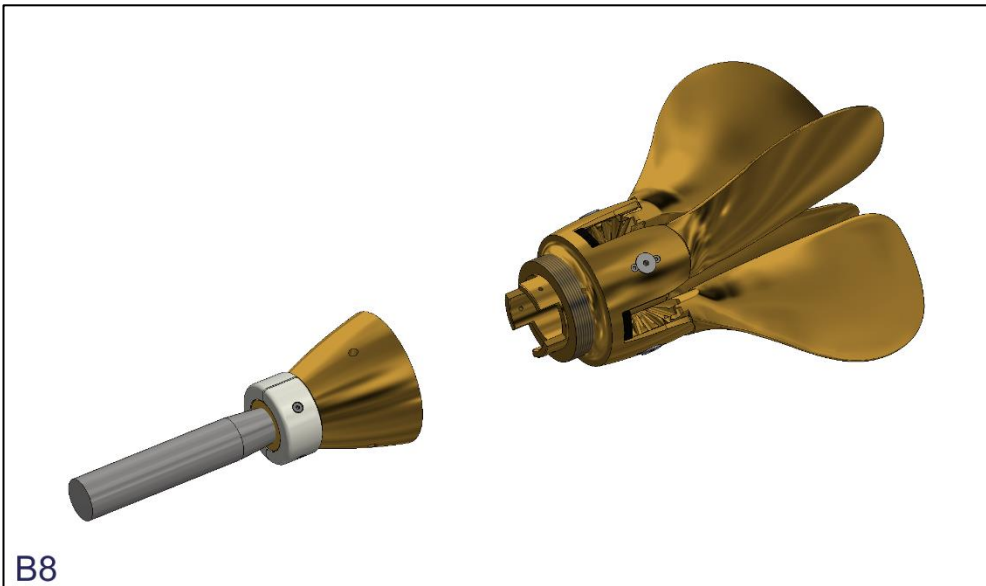




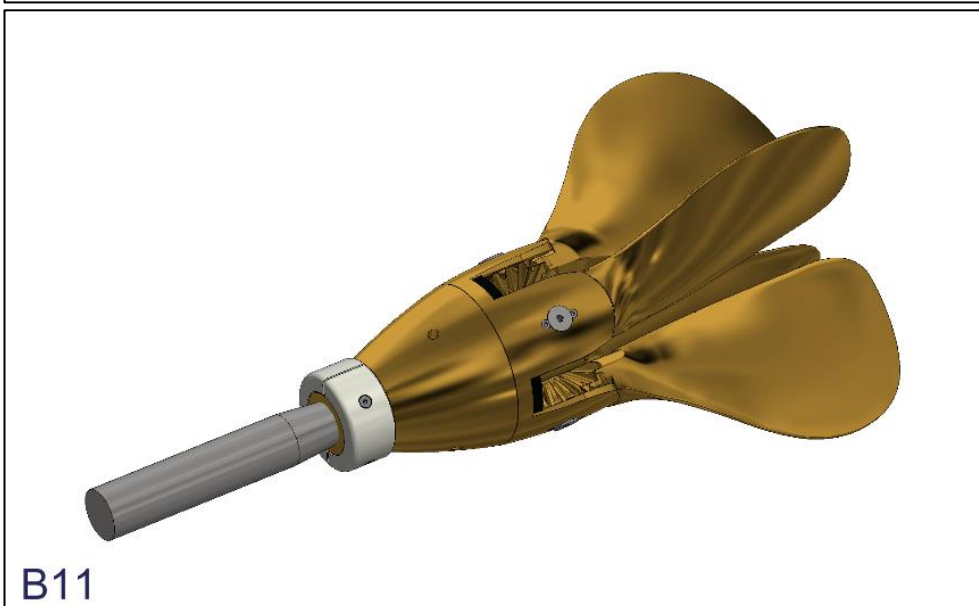
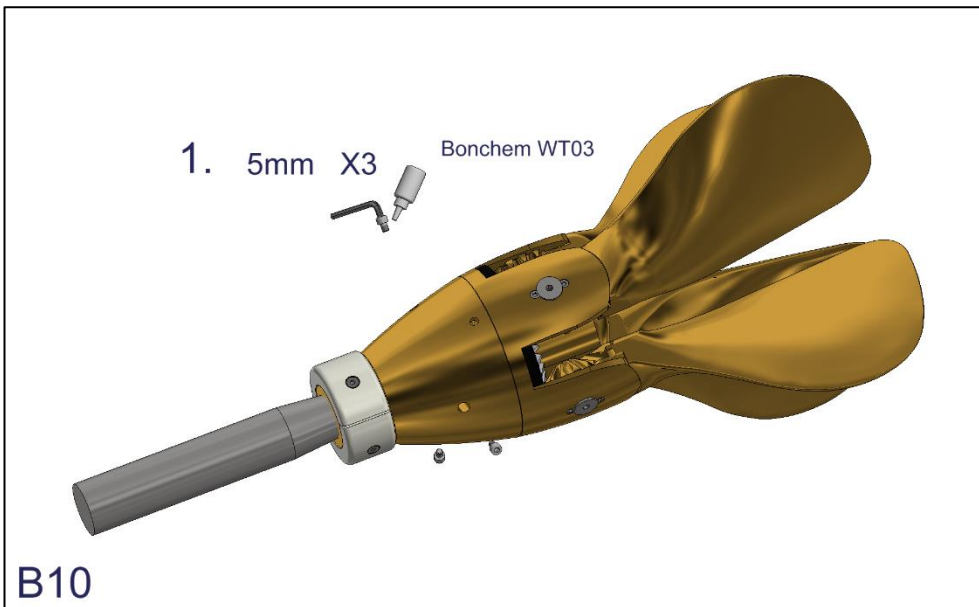
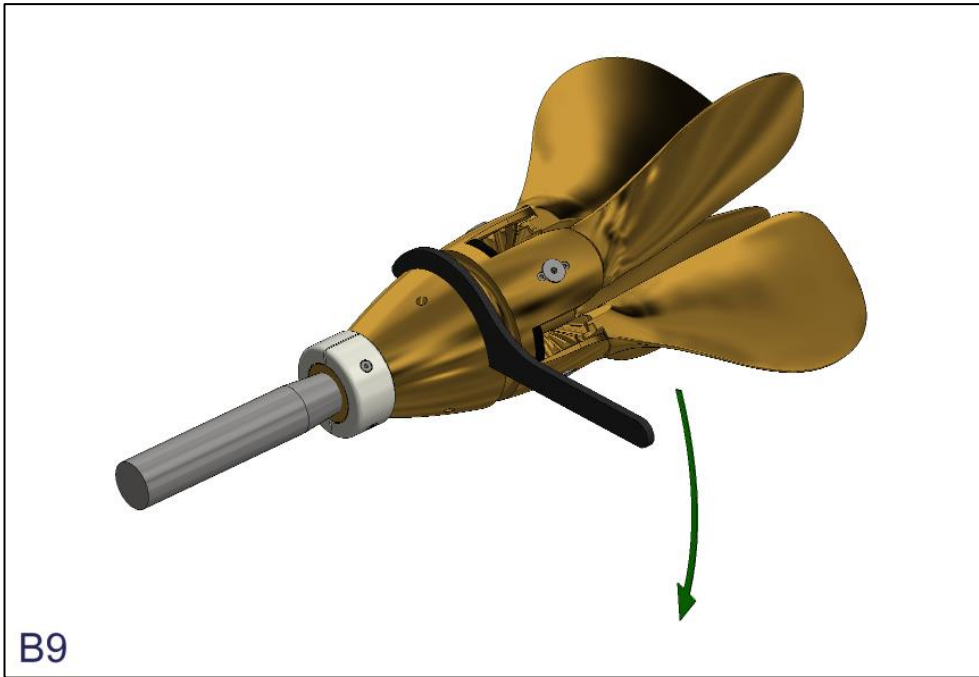
B6



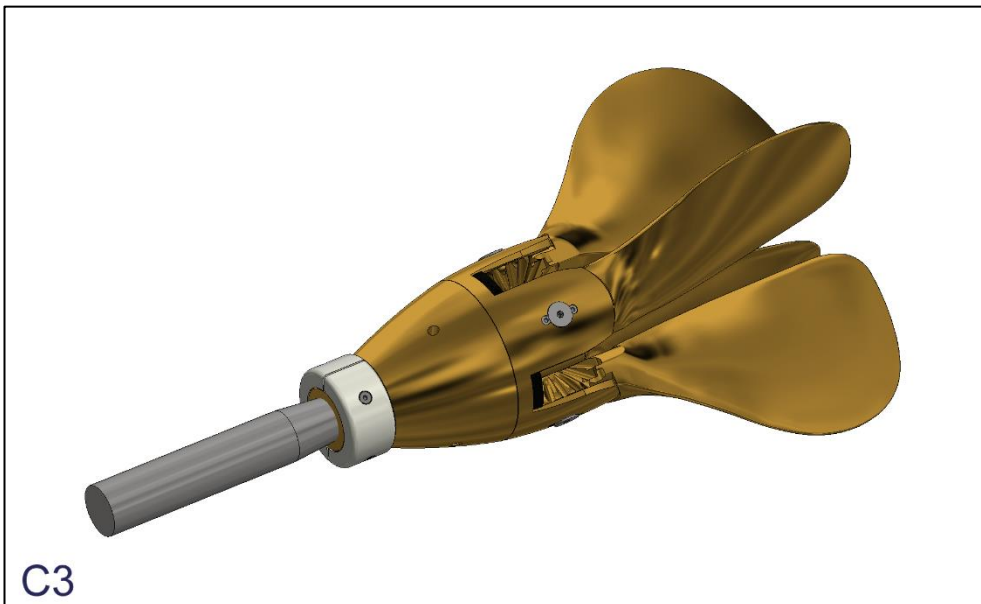
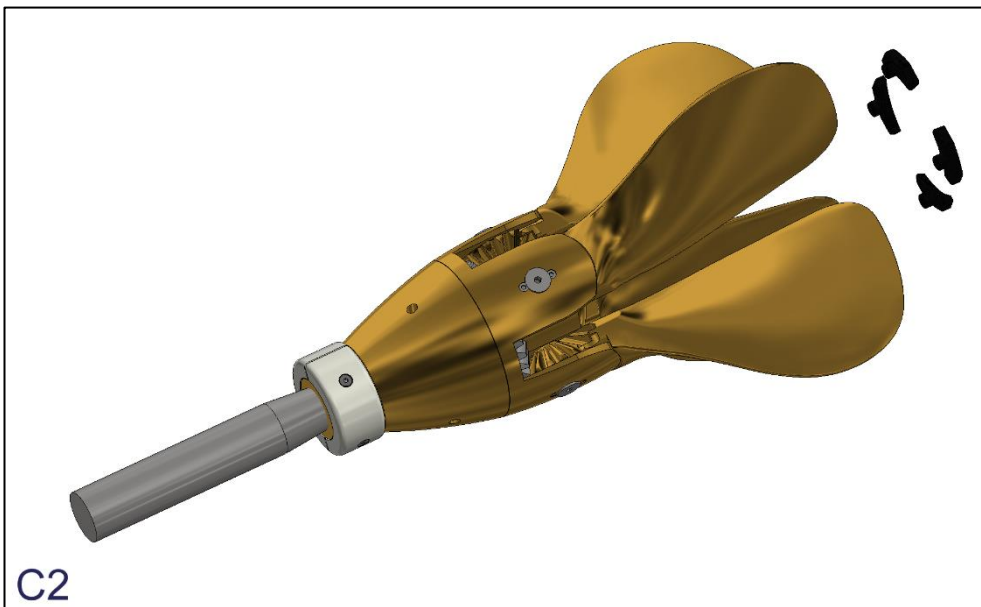
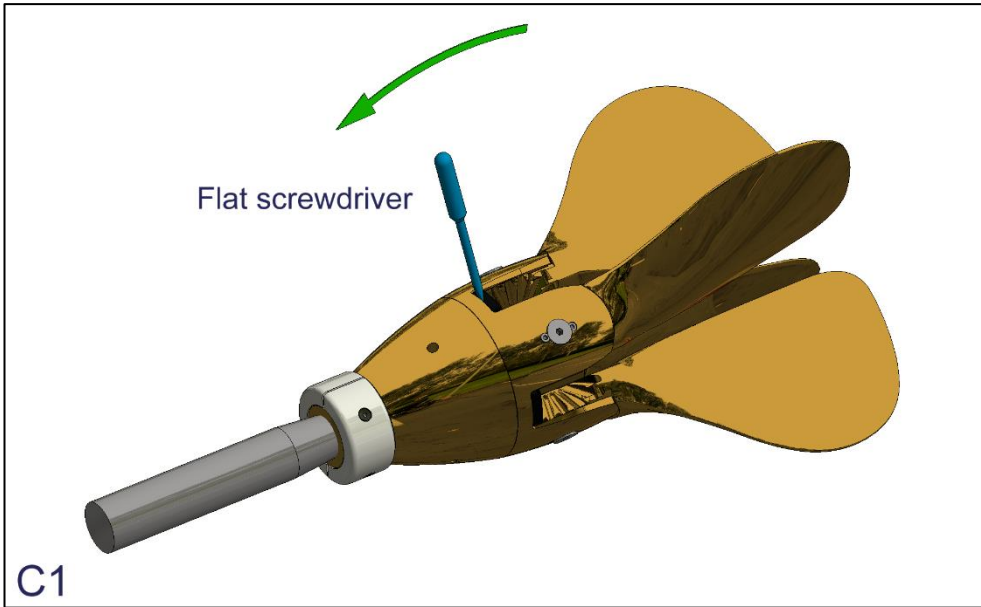
B7

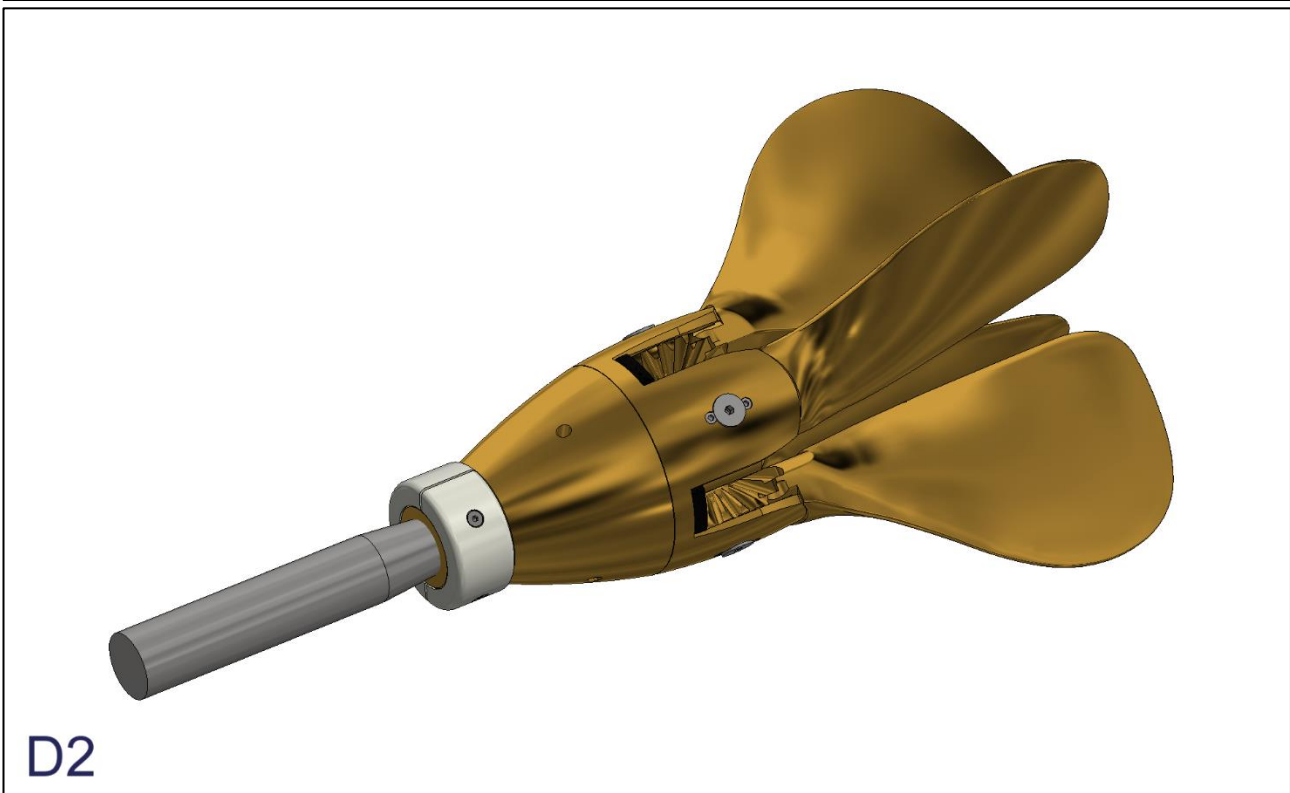
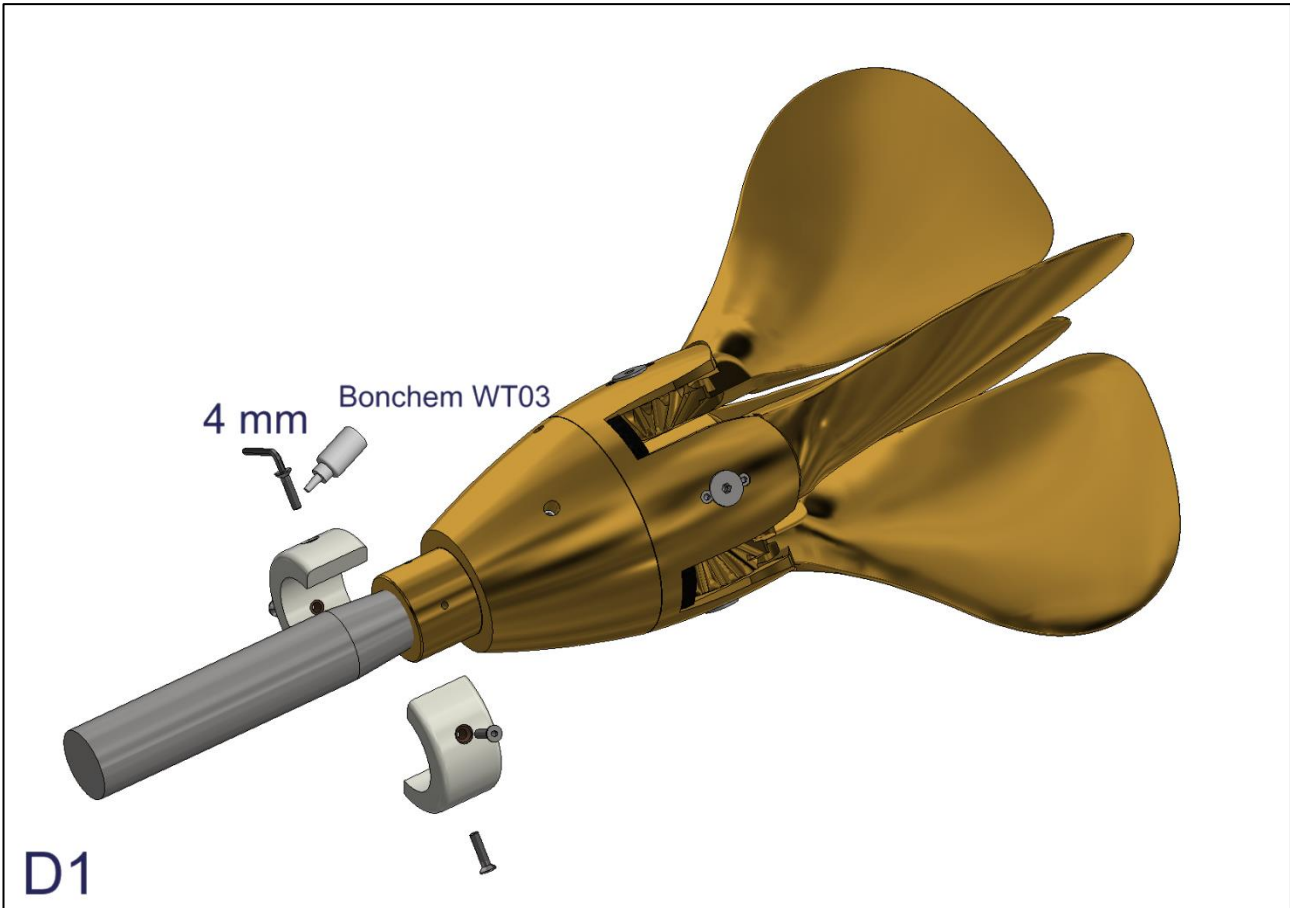


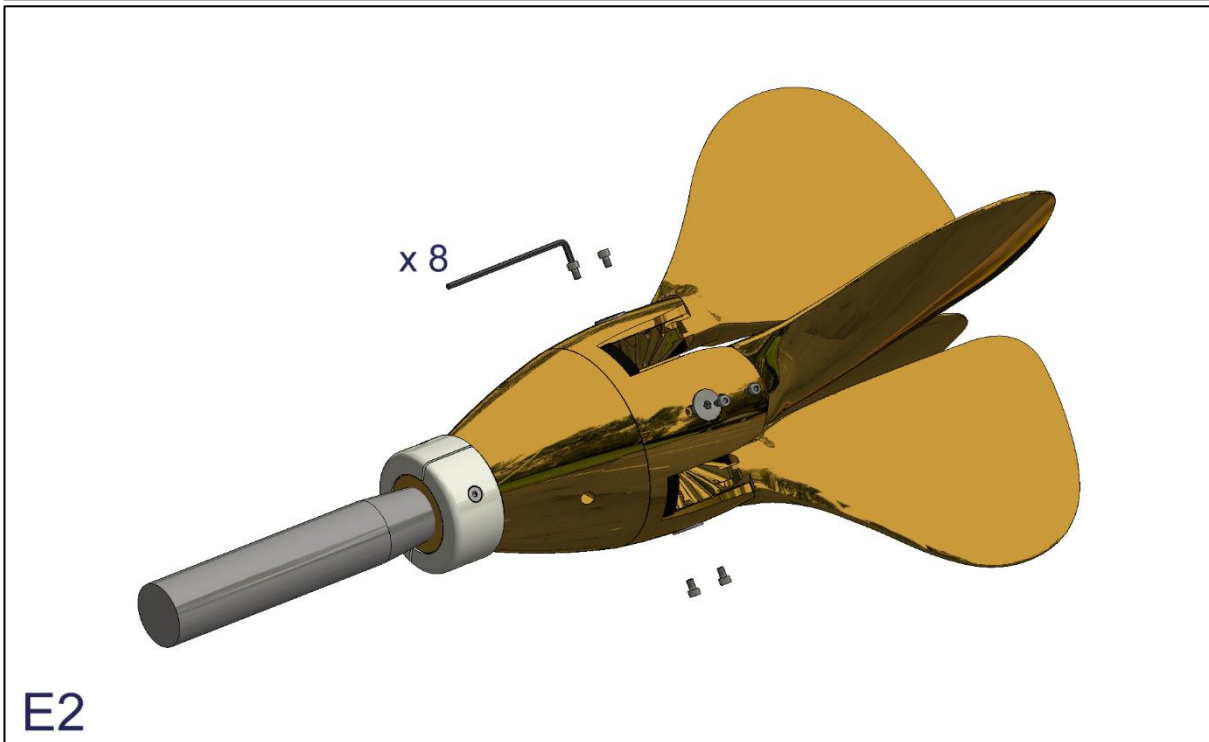
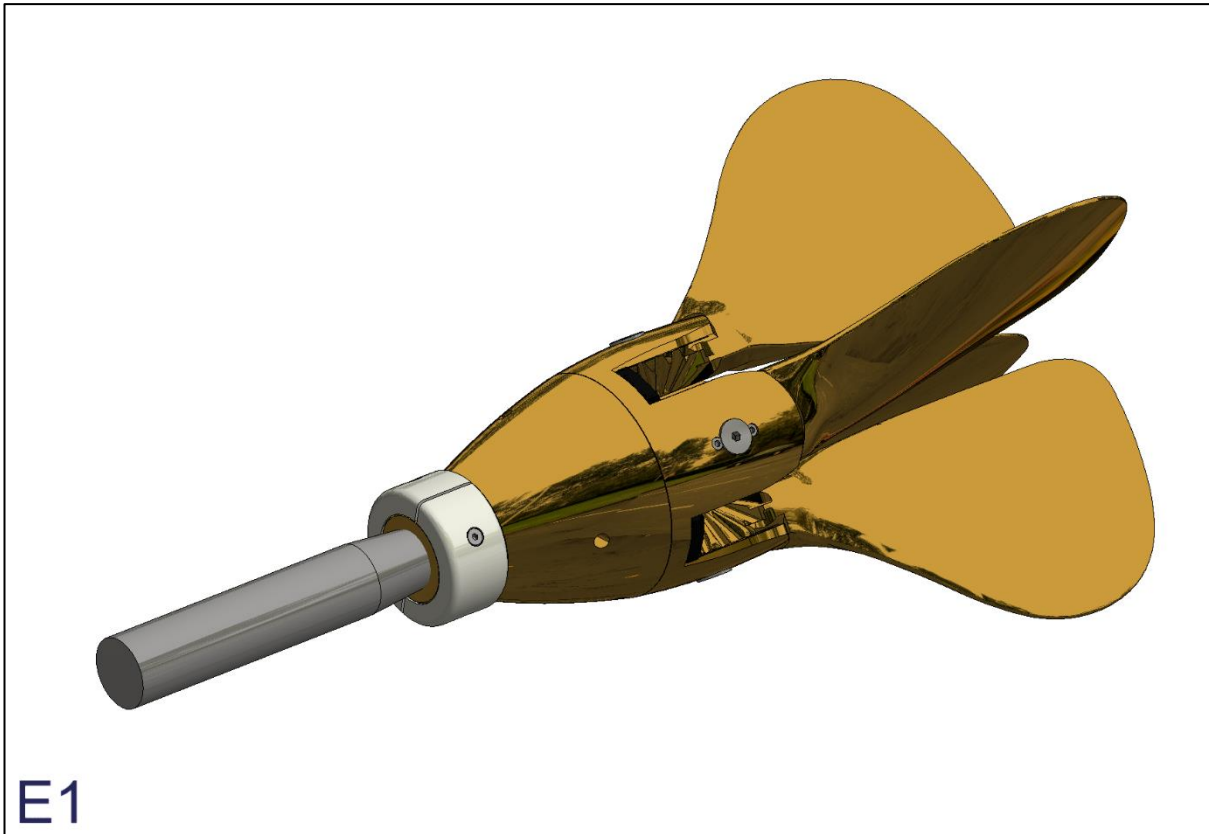
B8

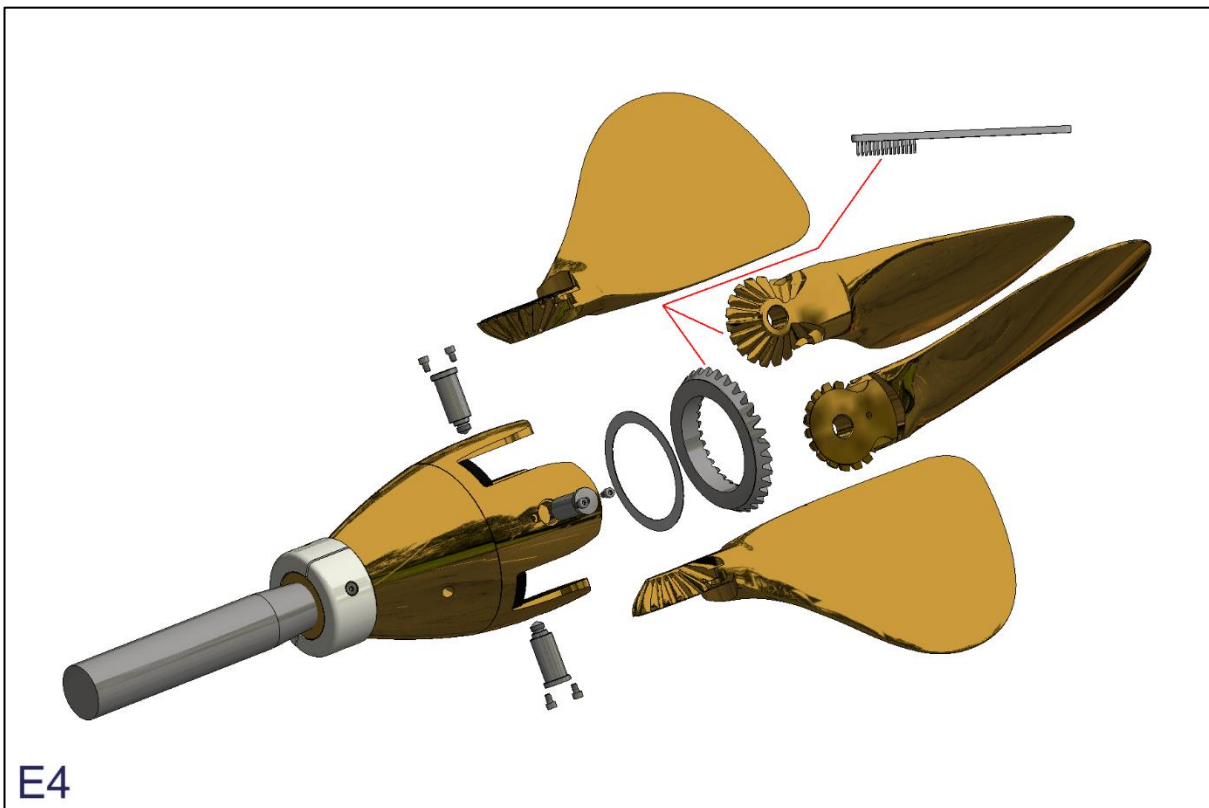
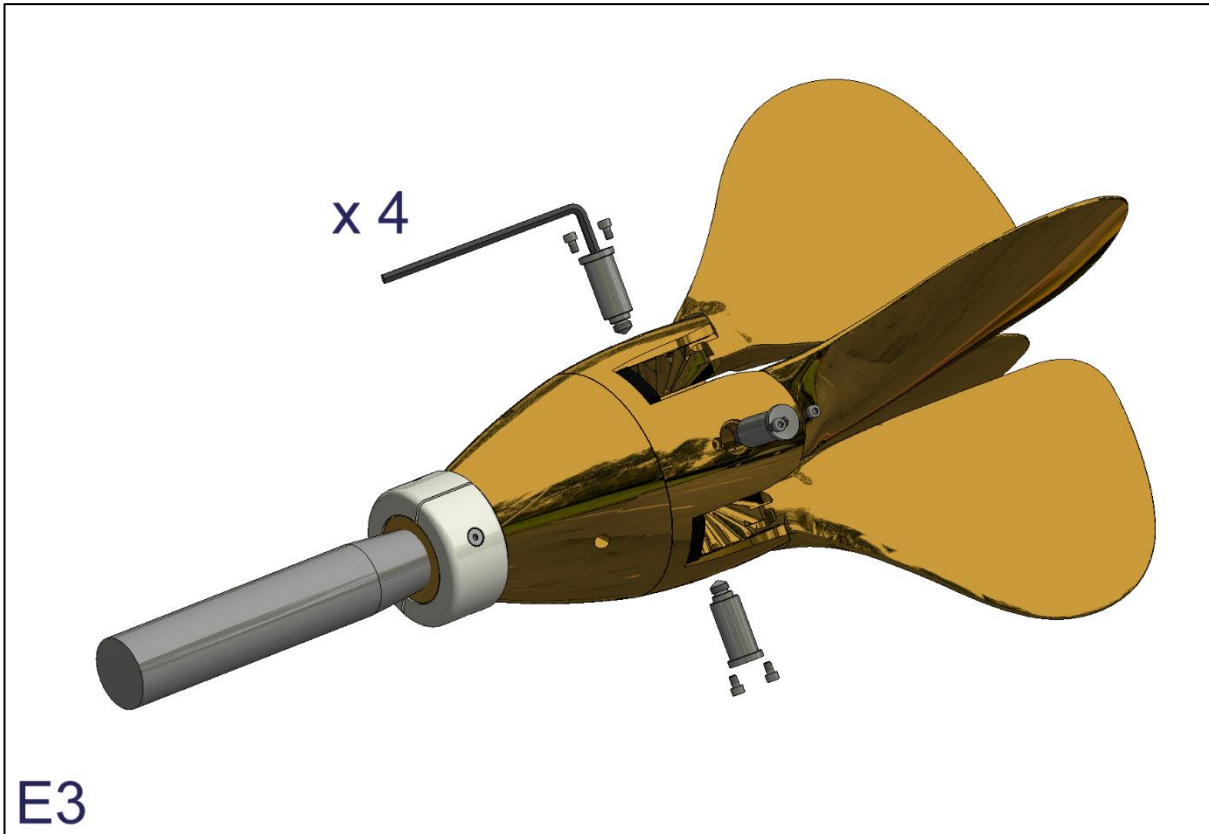


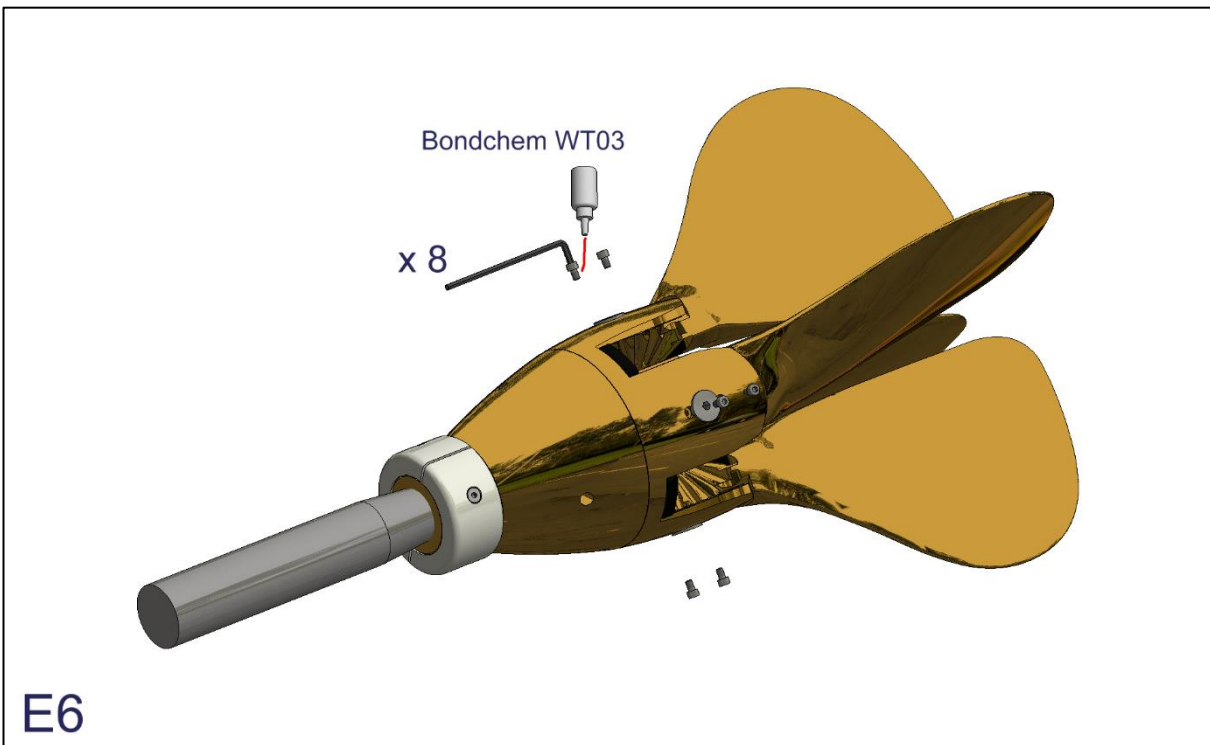
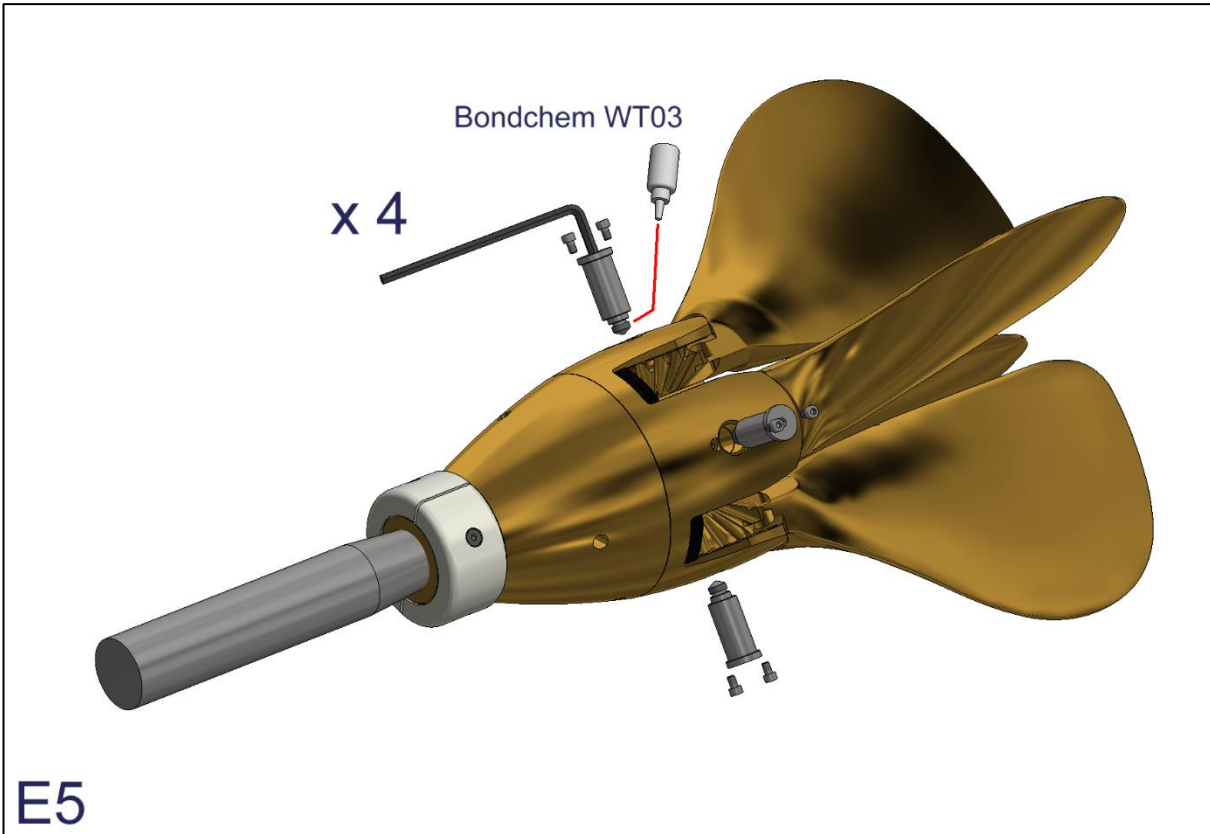
Exchange of “rubber blade stop” – (C)

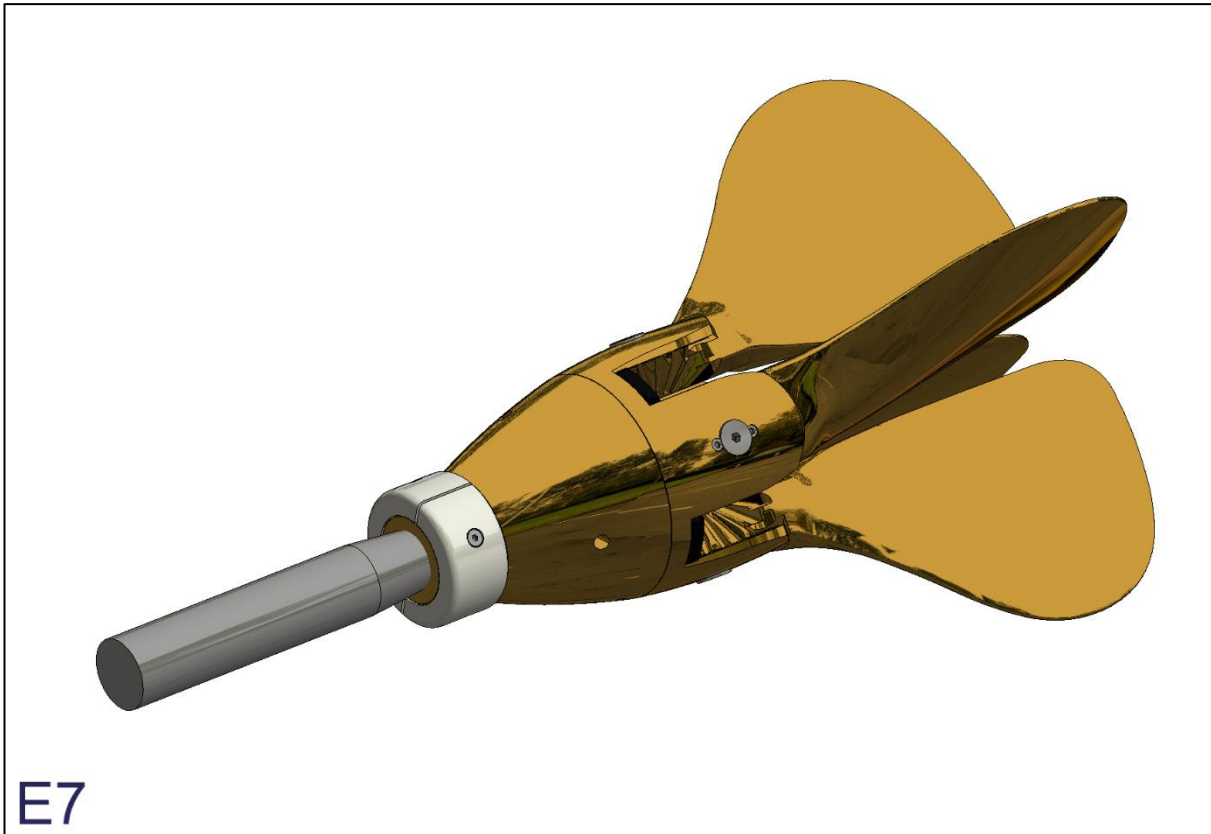












Spare Parts List – (F)

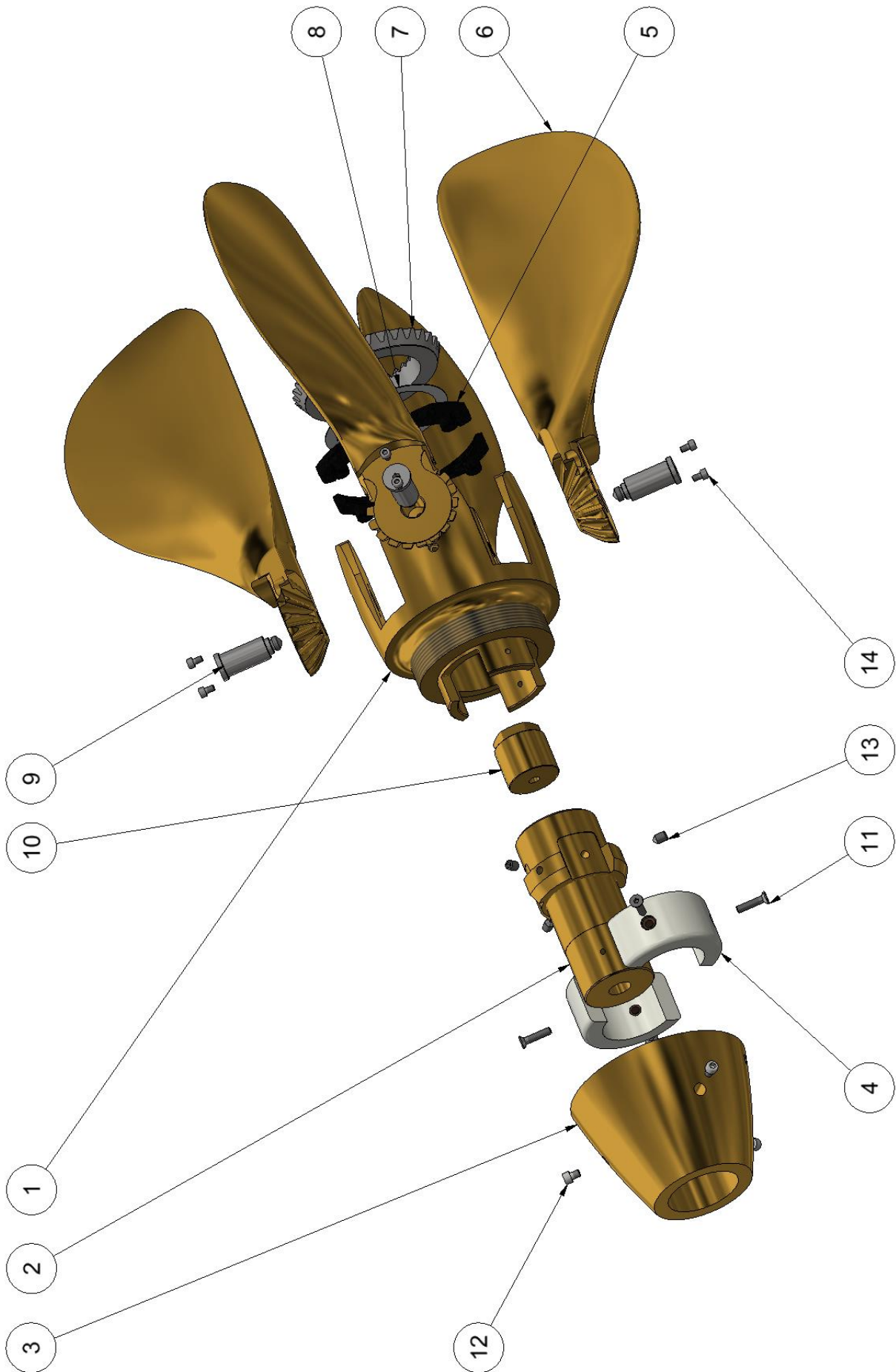
Size: 23" – 25" – 27"

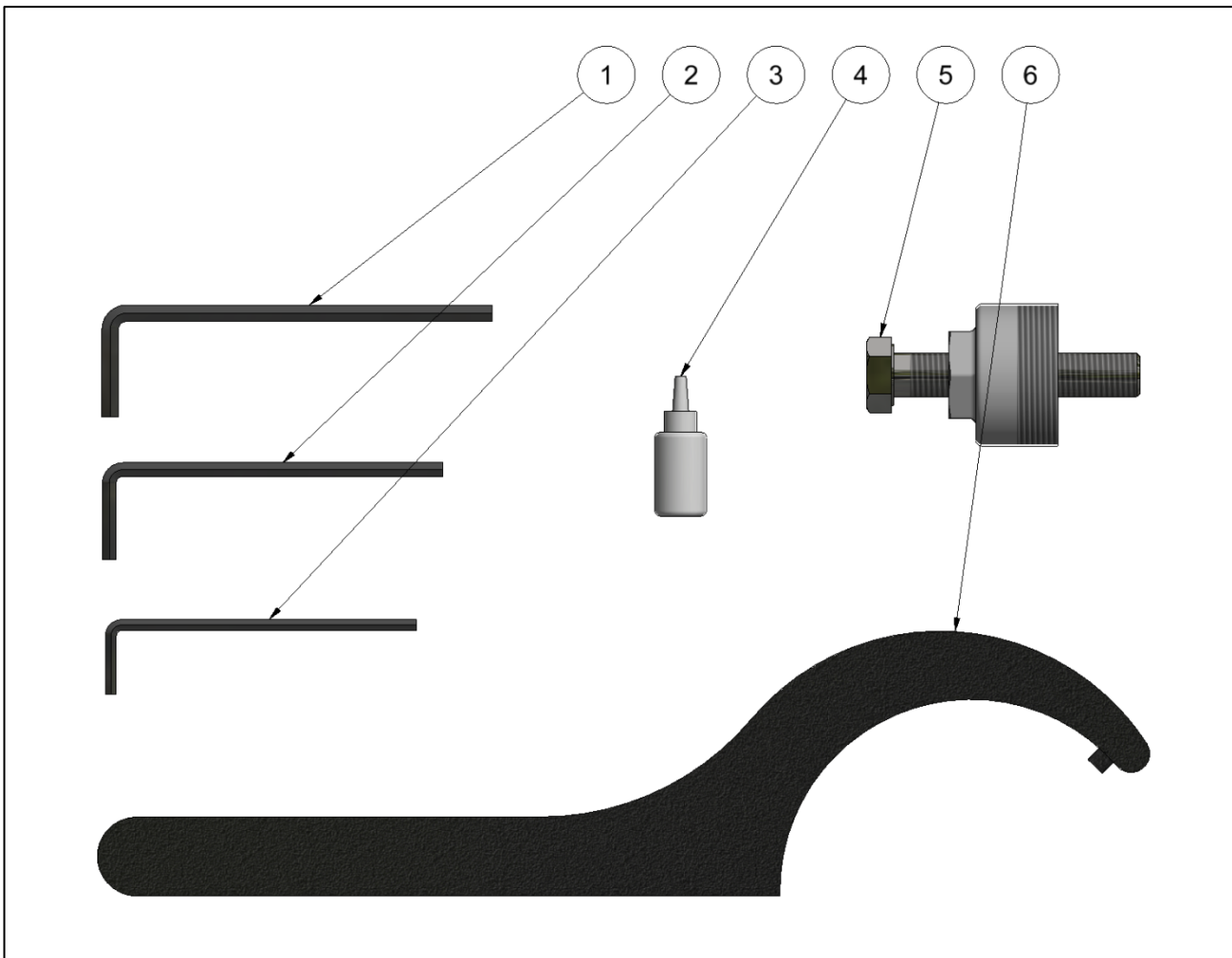
ITEM	DK	GB	DE	STOCK NUMBER	QTY
1	Navtop	Blade housing	Nabenoberteil	55000B4165	1
2	Konusdel	Tapered part	Kegel	3400000110	1
3	Nav kappe	Hub shell	Nabenschale	53000B4165	1
4	Zinkanode	Zinc ring anode	Zinkring anode	1510560000	2
5	Gummistopper	Rubber stop;	Gummianschläge	1407604165	4
6	Propelblade / 23" x 17" RH	Propeller blades / 23" x 17" RH	Propellerblätter / 23" x 17" RH	5123017001	4
6	Propelblade / 23" x 17" LH	Propeller blades / 23" x 17" LH	Propellerblätter / 23" x 17" LH	5123017002	4
6	Propelblade / 25" x 14,5" RH	Propeller blades / 25" x 14,5" RH	Propellerblätter / 25" x 14,5" RH	5125014501	4
6	Propelblade / 25" x 14,5" LH	Propeller blades / 25" x 14,5" LH	Propellerblätter / 25" x 14,5" LH	5125014502	4
6	Propelblade / 25" x 15" RH	Propeller blades / 25" x 15" RH	Propellerblätter / 25" x 15" RH	5125015001	4
6	Propelblade / 25" x 16" RH	Propeller blades / 25" x 16" RH	Propellerblätter / 25" x 16" RH	5125016001	4
6	Propelblade / 25" x 17" RH	Propeller blades / 25" x 17" RH	Propellerblätter / 25" x 17" RH	5125017001	4
6	Propelblade / 25" x 17" LH	Propeller blades / 25" x 17" LH	Propellerblätter / 25" x 17" LH	5125017002	4
6	Propelblade / 25" x 18" LH	Propeller blades / 25" x 18" LH	Propellerblätter / 25" x 18" LH	5125018002	4
6	Propelblade / 25" x 19" RH	Propeller blades / 25" x 19" RH	Propellerblätter / 25" x 19" RH	5125019001	4
6	Propelblade / 25" x 19" LH	Propeller blades / 25" x 19" LH	Propellerblätter / 25" x 19" LH	5125019002	4
6	Propelblade / 27" x 17" LH	Propeller blades / 27" x 17" LH	Propellerblätter / 27" x 17" LH	5127017002	4
6	Propelblade / 27" x 18" RH	Propeller blades / 27" x 18" RH	Propellerblätter / 27" x 18" RH	5127018001	4
6	Propelblade / 27" x 18" LH	Propeller blades / 27" x 18" LH	Propellerblätter / 27" x 18" LH	5127018002	4
6	Propelblade / 27" x 19" LH	Propeller blades / 27" x 19" LH	Propellerblätter / 27" x 19" LH	5127019002	4
6	Propelblade / 27" x 20" RH	Propeller blades / 27" x 20" RH	Propellerblätter / 27" x 20" RH	5127020001	4
6	Propelblade / 27" x 20" LH	Propeller blades / 27" x 20" LH	Propellerblätter / 27" x 20" LH	5127020002	4
6	Propelblade / 27" x 21" RH	Propeller blades / 27" x 21" RH	Propellerblätter / 27" x 21" RH	5127021001	4
6	Propelblade / 27" x 21" LH	Propeller blades / 27" x 21" LH	Propellerblätter / 27" x 21" LH	5127021002	4
7	Tandhjul	Gear-wheel	Zahnrad	1407204165	1
8	Afstandsskive	Spacer	Abstandshalter	1404090000	1
9	Aksel til propelblade	Blade pins	Führungsbolzen	1513000000	4
10	Møtrik*	Nut*	Mütter*	---	1
11	Undersænket skrue	Flat Countersunk Head	Senkschraube	1179910625	4
12	Skrue - cylindrisk hoved	Hex Socket Head	Cylinderschraube	1406800000	3
13	Pinol skrue	Hex Socket Set Screw	Gewindestift	1401300000	3
14	Skrue - cylindrisk hoved	Hex Socket Head	Cylinderschraube	1406900000	8

Size: 29" – 32"

ITEM	DK	GB	DE	STOCK NUMBER	QTY
1	Navtop	Blade housing	Nabenoberteil	55000B4220	1
2	Konusdel	Tapered part	Kegel	3400000140-1	1
3	Nav kappe	Hub shell	Nabenschale	53000B4220	1
4	Zinkanode	Zinc ring anode	Zinkring anode	1549000000	2
5	Gummistopper	Rubber stop;	Gummianschläge	1407604165	4
6	Propelblade / 29" x 17" LH	Propeller blades / 29" x 17" LH	Propellerblätter / 29" x 17" LH	5130017002	4
6	Propelblade / 29" x 20" RH	Propeller blades / 29" x 20" RH	Propellerblätter / 29" x 20" RH	5130020001	4
6	Propelblade / 29" x 20" LH	Propeller blades / 29" x 20" LH	Propellerblätter / 29" x 20" LH	5130020002	4
6	Propelblade / 29" x 21" RH	Propeller blades / 29" x 21" RH	Propellerblätter / 29" x 21" RH	5130021001	4
6	Propelblade / 29" x 22" LH	Propeller blades / 29" x 22" LH	Propellerblätter / 29" x 22" LH	5130022002	4
6	Propelblade / 29" x 24" RH	Propeller blades / 29" x 24" RH	Propellerblätter / 29" x 24" RH	5130024001	4
6	Propelblade / 29" x 24" LH	Propeller blades / 29" x 24" LH	Propellerblätter / 29" x 24" LH	5130024002	4
6	Propelblade / 32" x 18" RH	Propeller blades / 32" x 18" RH	Propellerblätter / 32" x 18" RH	5132018001	4
6	Propelblade / 32" x 20" RH	Propeller blades / 32" x 20" RH	Propellerblätter / 32" x 20" RH	5132020001	4
6	Propelblade / 32" x 22" LH	Propeller blades / 32" x 22" LH	Propellerblätter / 32" x 22" LH	5130022002	4
6	Propelblade / 32" x 23" RH	Propeller blades / 32" x 23" RH	Propellerblätter / 32" x 23" RH	5132023001	4
6	Propelblade / 32" x 23" LH	Propeller blades / 32" x 23" LH	Propellerblätter / 32" x 23" LH	5132023002	4
6	Propelblade / 32" x 24" RH	Propeller blades / 32" x 24" RH	Propellerblätter / 32" x 24" RH	5132024001	4
6	Propelblade / 32" x 24" LH	Propeller blades / 32" x 24" LH	Propellerblätter / 32" x 24" LH	5132024002	4
6	Propelblade / 32" x 25" RH	Propeller blades / 32" x 25" RH	Propellerblätter / 32" x 25" RH	5132025001	4
7	Tandhjul	Gear-wheel	Zahnrad	1407284220	1
8	Afstandsskive	Spacer	Abstandshalter	1404600150	1
9	Aksel til propelblade	Blade pins	Führungsbolzen	15140B4220	4
10	Møtrik*	Nut*	Mütter*	---	1
11	Undersænket skrue	Flat Countersunk Head	Senkschraube	1179910625	4
12	Skrue - cylindrisk hoved	Hex Socket Head	Cylinderschraube	1406800000	3
13	Pinol skrue	Hex Socket Set Screw	Gewindestift	1401300000	3
14	Skrue - cylindrisk hoved	Hex Socket Head	Cylinderschraube	1406900000	8

*: Møtrik – bestilles kunde specifik; Nut – ordered cuttom specific; Mütter – kundenspezifisch bestellt





23" – 25" – 27"

ITEM	DK	GB	DE	STOCK NUMBER
1	Umbracnøgle - 6 mm	Allen key - 6 mm	Inbusschlüssel - 6 mm	1402200000
2	Umbracnøgle - 5 mm	Allen key - 5 mm	Inbusschlüssel - 5 mm	1402100000
3	Umbracnøgle - 4 mm	Allen key - 4 mm	Inbusschlüssel - 4 mm	1402000000
4	Låselim - Bondchem WT03	Locking glue - Bondchem WT03	Leim - Bondchem WT03	1410000000
5	Aftrækker	Puller	Abzieher	1528000000
6	Hagenøgle	C-Spanner	Hagenschlüssel	1409800165

29" – 32"

ITEM	DK	GB	DE	STOCK NUMBER
1	Umbracnøgle - 6 mm	Allen key - 6 mm	Inbusschlüssel - 6 mm	1402200000
2	Umbracnøgle - 5 mm	Allen key - 5 mm	Inbusschlüssel - 5 mm	1402100000
3	Umbracnøgle - 4 mm	Allen key - 4 mm	Inbusschlüssel - 4 mm	1402000000
4	Låselim - Bondchem WT03	Locking glue - Bondchem WT03	Leim - Bondchem WT03	1410000000
5	Aftrækker	Puller	Abzieher	1529000000
6	Hagenøgle	C-Spanner	Hagenschlüssel	1409800220

Gori propeller ApS

Fjordagervej 34-36

DK-6100 Haderslev

www.gori-propeller.dk