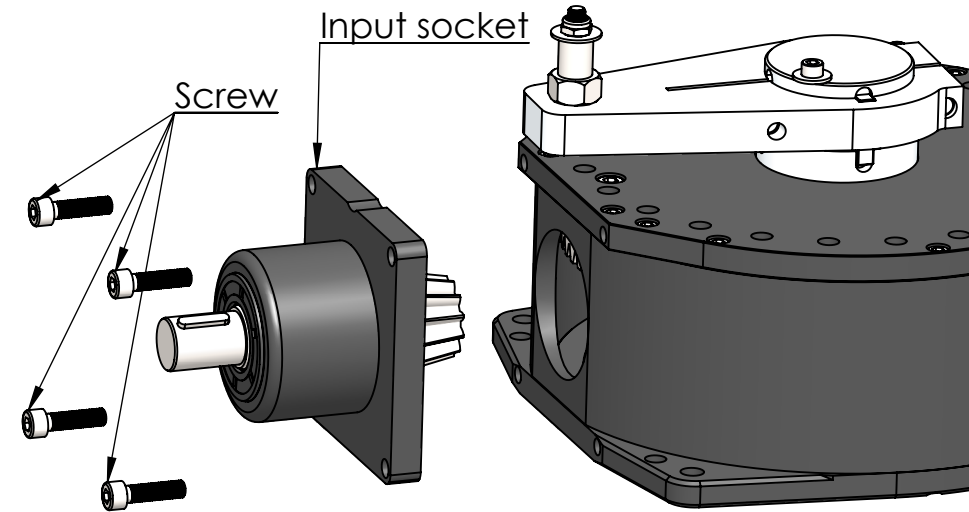
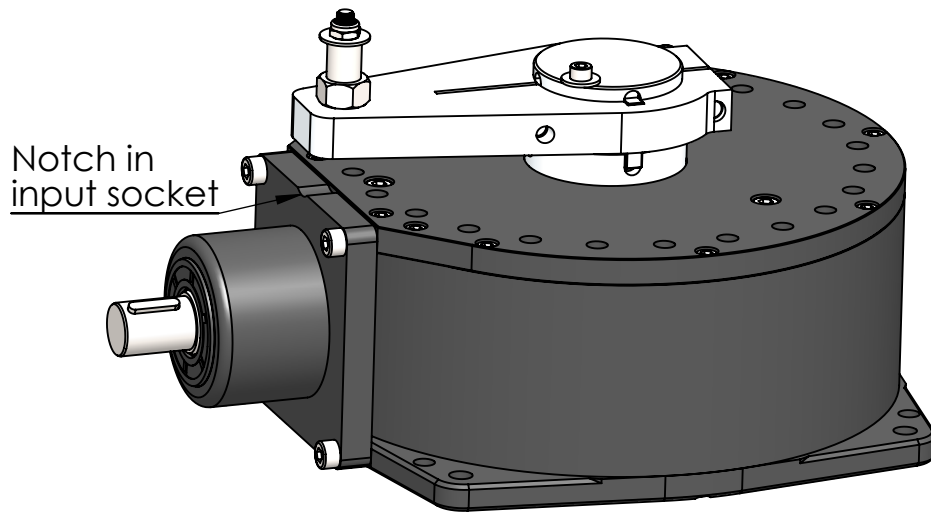
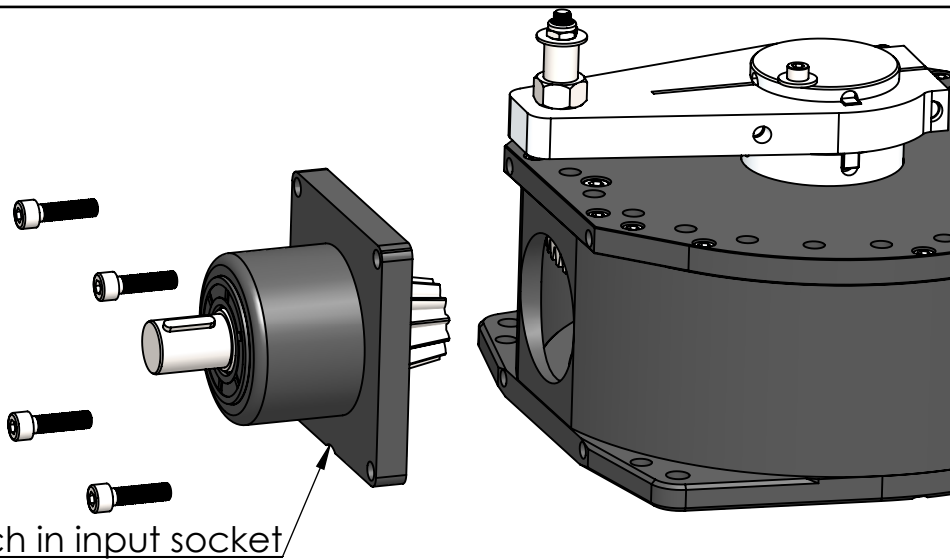


# BRG10-67 Gearbox maintenance guide

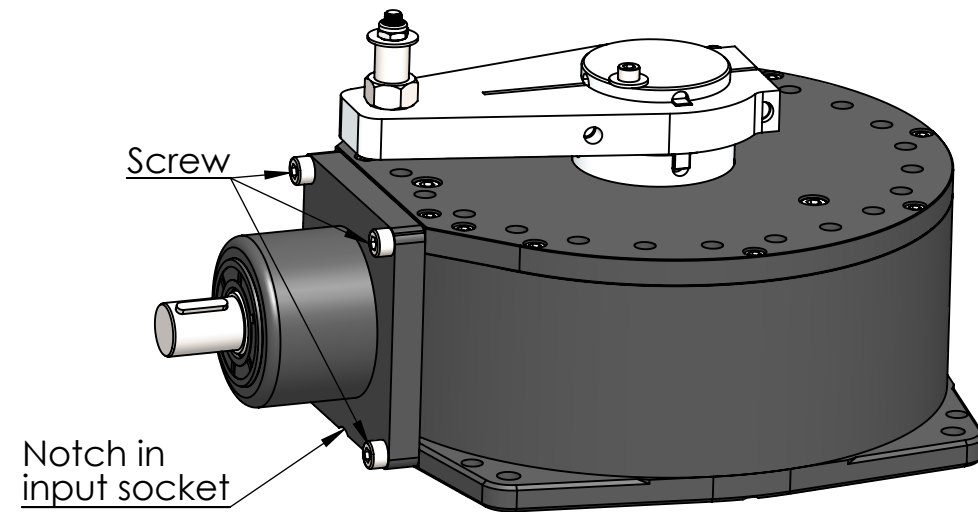


1. If you have play in your BRG10-67, you have to check first where the notch in the input socket points to. There are 3 positions to choose from: 1. If the notch points upwards, the pinion is furthest away. 2. If it points to either side, it is in middle position. 3. If it points downwards, then the pinion is closest and cannot be improved

2. Unscrew 4pcs of screws to dismount the input socket



3. Rotate the input socket 90° or 180° to bring the pinion gear closer to the rack.  
Note: the gearbox is greased for life and needs no additional grease.



4. Mount the input socket with 4pcs of screw. It is allowed to have a bit toothy feeling when you turn the input shaft by hand. If you still have play in your gearbox, and the notch isn't pointing downwards yet, then go back to picture 2. The maintenance of your BRG10-67 is done.